

36C2091600271

one eighth inch = one foot

one quarter inch = one foot

one half inch = one foot

three eighths inch = one foot

one inch = one foot

one and one half inches = one foot

two inches = one foot

three inches = one foot

four inches = one foot

five inches = one foot

six inches = one foot

seven inches = one foot

eight inches = one foot

nine inches = one foot

ten inches = one foot

eleven inches = one foot

twelve inches = one foot

thirteen inches = one foot

fourteen inches = one foot

fifteen inches = one foot

sixteen inches = one foot

seventeen inches = one foot

eighteen inches = one foot

nineteen inches = one foot

twenty inches = one foot

twenty one inches = one foot

twenty two inches = one foot

twenty three inches = one foot

twenty four inches = one foot

twenty five inches = one foot

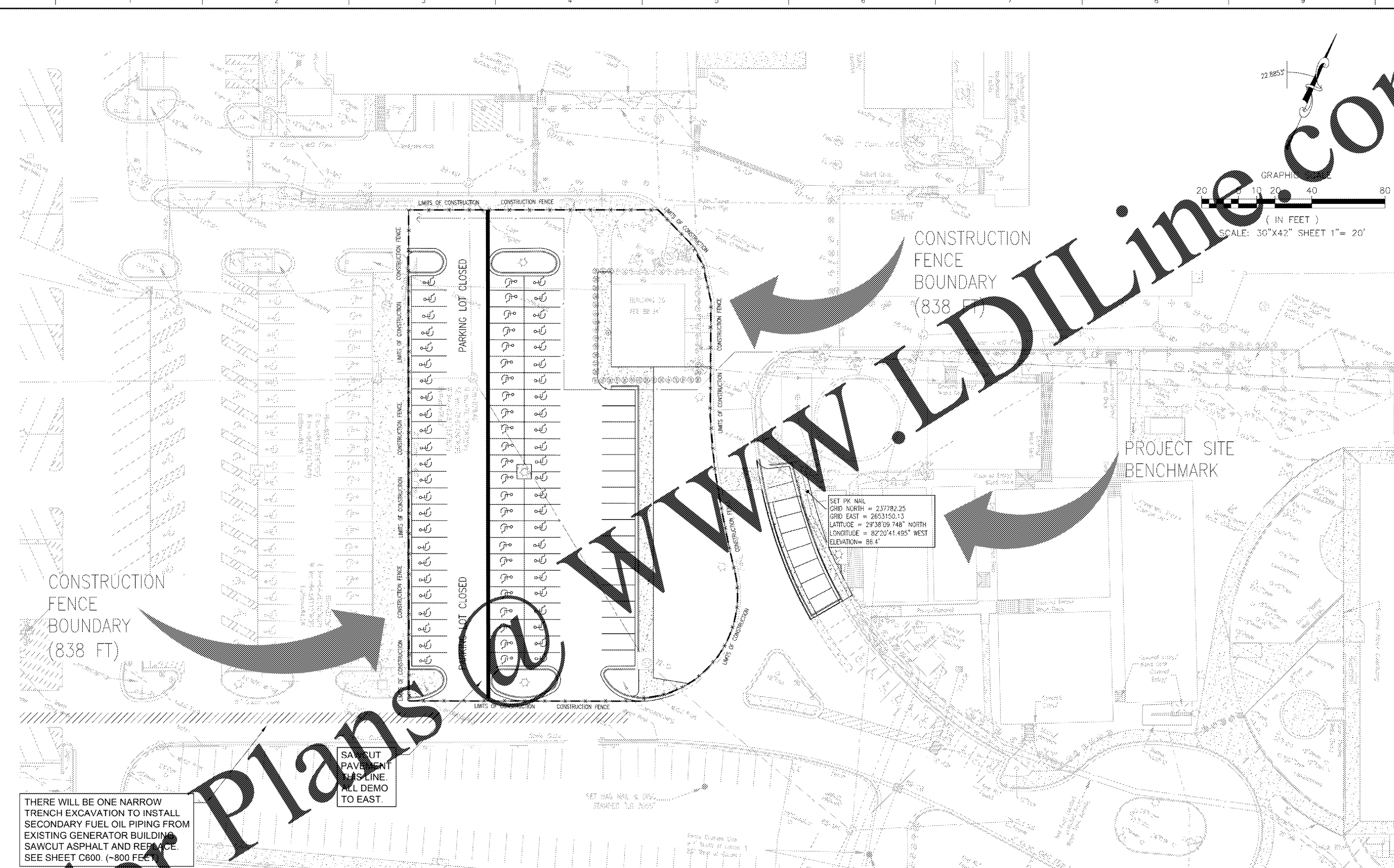
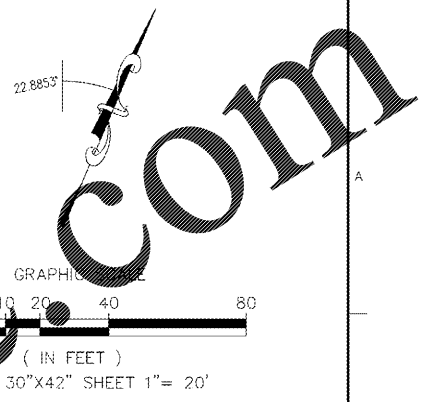
twenty six inches = one foot

twenty seven inches = one foot

twenty eight inches = one foot

twenty nine inches = one foot

thirty inches = one foot



THERE WILL BE ONE NARROW TRENCH EXCAVATION TO INSTALL SECONDARY FUEL OIL PIPING FROM EXISTING GENERATOR BUILDING. SAWCUT ASPHALT AND REPLACE. SEE SHEET C600. (~800 FEET)

SAWCUT PAVEMENT THIS LINE. ALL DEMO TO EAST.

SET IPK NAIL
 GRID NORTH = 237782.25
 GRID EAST = 2653150.13
 LATITUDE = 29°38'09.748" NORTH
 LONGITUDE = 82°20'41.495" WEST
 ELEVATION = 86.4'

FINAL DESIGN
 APPROVED FOR CONSTRUCTION

Order Plans

CONSULTANTS: 		ENGINEER-OF-RECORD MICHAEL D. TADDEO No. 67618 STATE OF FLORIDA PROFESSIONAL ENGINEER FL PE NO. 67618		ARCHITECT/ENGINEERS: AKEA INC. 3803 NW 98th Street, Suite B Gainesville, FL 32606 Phone: (352) 474-6124 Fax: (352) 553-4437 ODA: FL #26693 AKEA Project No. 083-14		Drawing Title EXISTING CONDITIONS LIMITS OF CONSTRUCTION		Project Title REPLACE BOILERS - FCA D, ENERGY AT THE MALCOM RANDALL VAMC		Project Number 573-14-600 Building Number		Office of Construction and Facilities Management	
Approved: Project Director		Location GAINESVILLE, FLORIDA		Drawing Number C100 6 OF 127		Date MARCH 9, 2016		Checked MDT		Drawn JG		Department of Veterans Affairs	