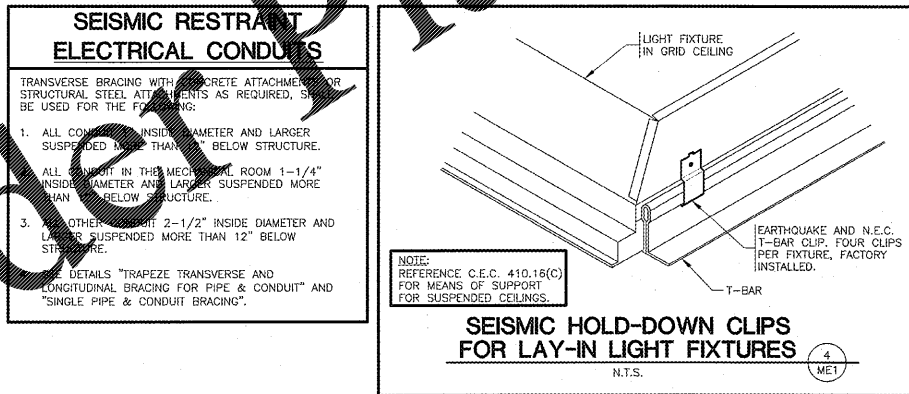
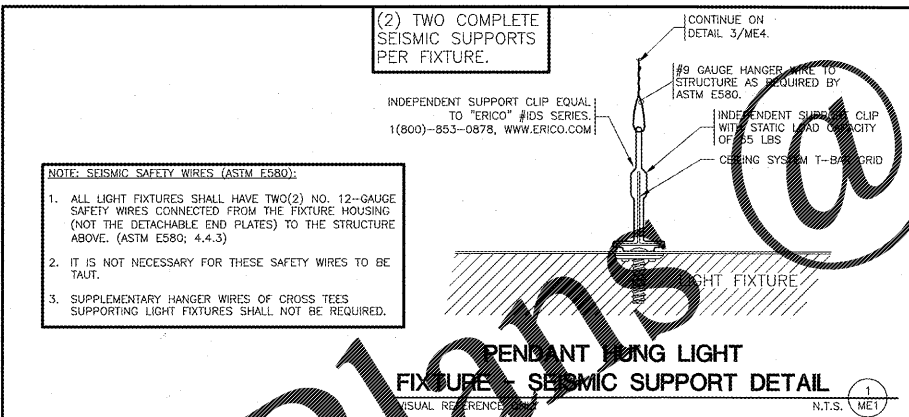
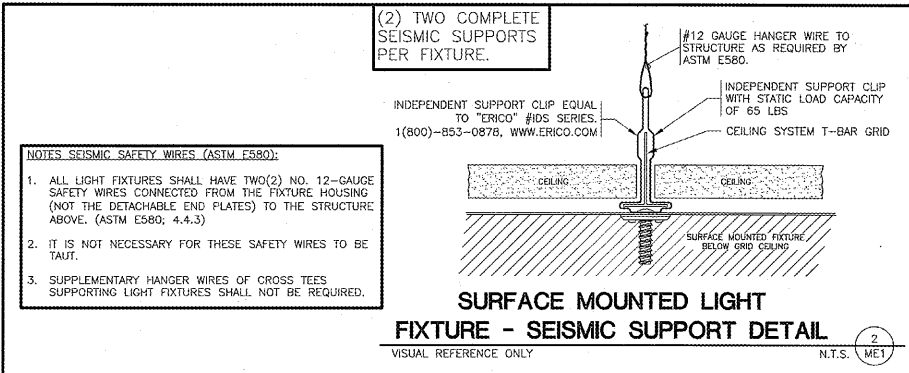
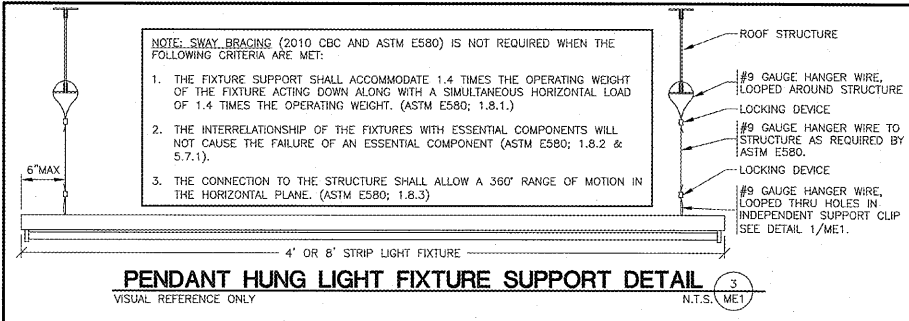


ELECTRICAL

CONTRACTOR TO REFER TO ARCHITECTURAL SHEET G1.1 FOR SEISMIC DESIGN CATEGORY. SEISMIC RESTRAINTS (ONLY REQUIRED FOR SEISMIC DESIGN CATEGORIES C,D,E,F)

CONTRACTOR TO PROVIDE SEISMIC BRACING AS REQUIRED BY CODE. IF SEISMIC BRACING IS REQUIRED SEE BRACING DETAILS THIS SHEET.



SEISMIC RESTRAINT ELECTRICAL CONDUITS

TRANSVERSE BRACING WITH CONCRETE ATTACHMENTS OR STRUCTURAL STEEL ATTACHMENTS AS REQUIRED, SHALL BE USED FOR THE FOLLOWING:

1. ALL CONDUIT 1" INSIDE DIAMETER AND LARGER SUSPENDED MORE THAN 12" BELOW STRUCTURE.
2. ALL PIPING IN THE MECHANICAL ROOM 1-1/4" INSIDE DIAMETER AND LARGER SUSPENDED MORE THAN 12" BELOW STRUCTURE.
3. ALL OTHER PIPING 2-1/2" INSIDE DIAMETER AND LARGER SUSPENDED MORE THAN 12" BELOW STRUCTURE.

SEE DETAILS "TRAPEZE TRANSVERSE AND LONGITUDINAL BRACING FOR PIPE & CONDUIT" AND "SINGLE PIPE & CONDUIT BRACING".

HVAC

CONTRACTOR TO REFER TO ARCHITECTURAL SHEET G1.1 FOR SEISMIC DESIGN CATEGORY. SEISMIC RESTRAINTS (ONLY REQUIRED FOR SEISMIC DESIGN CATEGORIES C,D,E,F)

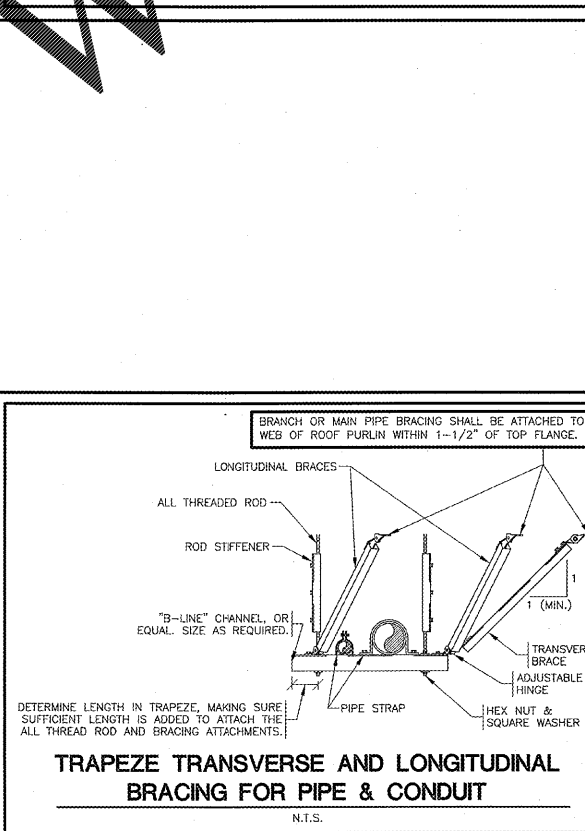
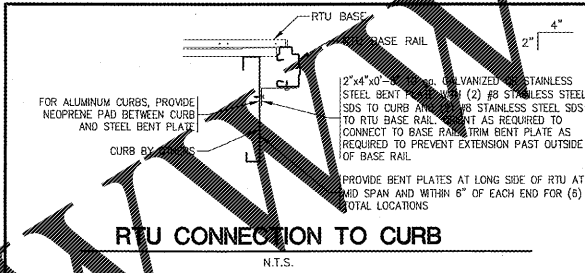
CONTRACTOR TO PROVIDE SEISMIC BRACING AS REQUIRED BY CODE. IF SEISMIC BRACING IS REQUIRED SEE BRACING DETAILS THIS SHEET.

1. ALL PIPING WHICH REQUIRES RESTRAINT SHALL BE PROVIDED WITH SEISMIC EXPANSION DEVICES.
2. BRANCH OR MAIN PIPE BRACING SHALL BE ATTACHED TO WEB OF ROOF PURLIN WITHIN 1-1/2" OF TOP FLANGE.
3. SEE DETAILS "TRAPEZE TRANSVERSE AND LONGITUDINAL BRACING FOR PIPE & CONDUIT" AND "SINGLE PIPE & CONDUIT BRACING".

SEISMIC RESTRAINT

TRANSVERSE BRACING WITH CONCRETE ATTACHMENTS OR STRUCTURAL STEEL ATTACHMENTS AS REQUIRED, SHALL BE USED FOR THE FOLLOWING:

1. ALL PIPE 1" INSIDE DIAMETER AND LARGER SUSPENDED MORE THAN 12" BELOW STRUCTURE.
2. ALL PIPING IN THE MECHANICAL ROOM 1-1/4" INSIDE DIAMETER AND LARGER SUSPENDED MORE THAN 12" BELOW STRUCTURE.
3. ALL OTHER PIPING 2-1/2" INSIDE DIAMETER AND LARGER SUSPENDED MORE THAN 12" BELOW STRUCTURE.
4. ALL RECTANGULAR AIR DUCTS WITH CROSS SECTIONAL AREA OF 6 SQUARE FEET OR LARGER SUSPENDED MORE THAN 12" BELOW STRUCTURE.
5. ALL PIPING WHICH REQUIRES RESTRAINT PER THE ABOVE SHALL BE PROVIDED WITH SEISMIC EXPANSION DEVICES.



PIPE & CONDUIT BRACING DETAILS

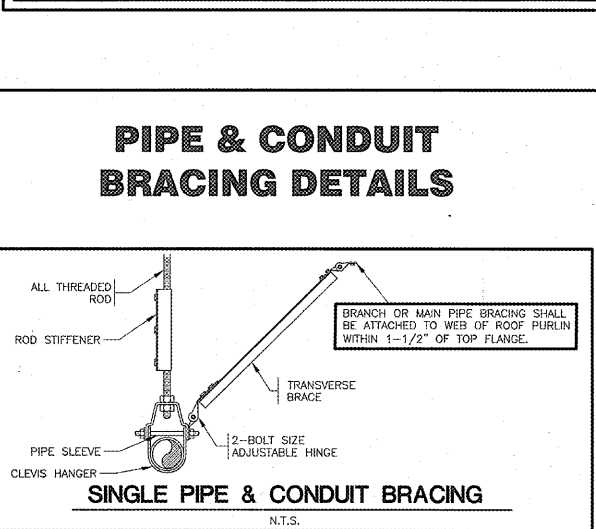
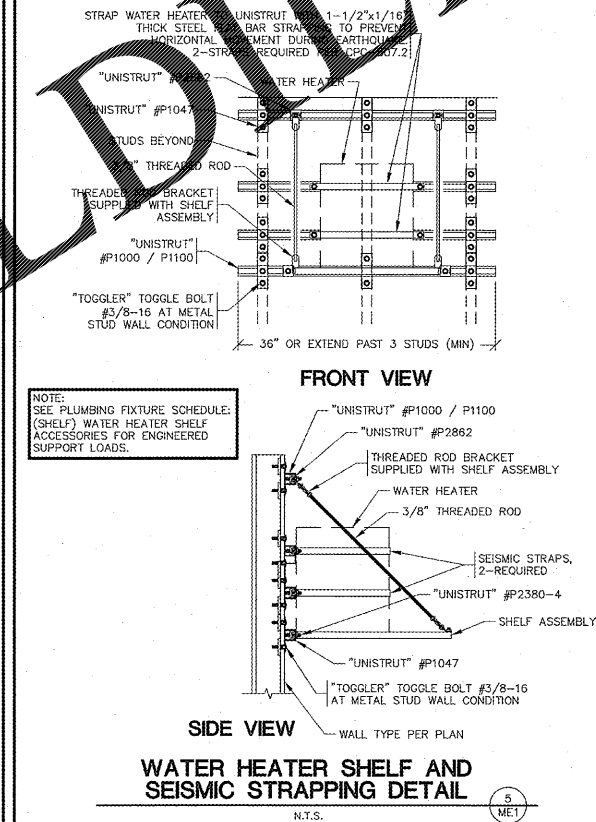
ALL THREADED ROD, ROD STIFFENER, TRANSVERSE BRACE, ADJUSTABLE HINGE, PIPE SLEEVE, CLEVIS HANGER, 2-BOLT SIZE ADJUSTABLE HINGE, BRANCH OR MAIN PIPE BRACING SHALL BE ATTACHED TO WEB OF ROOF PURLIN WITHIN 1-1/2" OF TOP FLANGE., N.T.S.

PLUMBING

CONTRACTOR TO REFER TO ARCHITECTURAL SHEET G1.1 FOR SEISMIC DESIGN CATEGORY. SEISMIC RESTRAINTS (ONLY REQUIRED FOR SEISMIC DESIGN CATEGORIES C,D,E,F)

CONTRACTOR TO PROVIDE SEISMIC BRACING AS REQUIRED BY CODE. IF SEISMIC BRACING IS REQUIRED SEE BRACING DETAILS THIS SHEET.

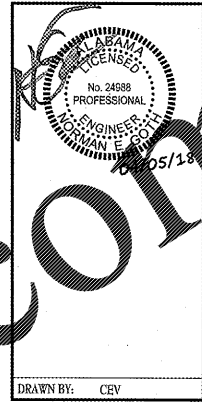
1. ALL PIPING WHICH REQUIRES RESTRAINT SHALL BE PROVIDED WITH SEISMIC EXPANSION DEVICES.
2. BRANCH OR MAIN PIPE BRACING SHALL BE ATTACHED TO WEB OF ROOF PURLIN WITHIN 1-1/2" OF TOP FLANGE.
3. SEE DETAILS "TRAPEZE TRANSVERSE AND LONGITUDINAL BRACING FOR PIPE & CONDUIT" AND "SINGLE PIPE & CONDUIT BRACING".



SEISMIC RESTRAINT

TRANSVERSE BRACING WITH CONCRETE ATTACHMENTS OR STRUCTURAL STEEL ATTACHMENTS AS REQUIRED, SHALL BE USED FOR THE FOLLOWING:

1. ALL PIPE 1" INSIDE DIAMETER AND LARGER SUSPENDED MORE THAN 12" BELOW STRUCTURE.
2. ALL PIPING IN THE MECHANICAL ROOM 1-1/4" INSIDE DIAMETER AND LARGER SUSPENDED MORE THAN 12" BELOW STRUCTURE.
3. ALL OTHER PIPING 2-1/2" INSIDE DIAMETER AND LARGER SUSPENDED MORE THAN 12" BELOW STRUCTURE.



DRAWN BY: CEV

PROJECT: **NEW O'REILLY AUTO PARTS STORE**
HWY 67
PRICEVILLE, AL
SEISMIC DETAILS

O'Reilly AUTO PARTS
 CORPORATE OFFICES
 233 SOUTH PATTERSON
 SPRINGFIELD, MISSOURI 65802
 (417) 862-2674 TELEPHONE

COMM # 4160
 DATE: 04-06-18
 REVISION
 DATE:

