

STEEL SQUARE POLES

Use ONLY with "Wind Speed Map for ASCE7-10"

POLE	150 MPH	115 MPH	100 MPH	85 MPH	70 MPH	55 MPH	40 MPH	25 MPH	10 MPH	Wind Class
4" 11GA 14	12.5	11.3	10.7	8.5	6.6	5.0	3.9	3.1	2.6	B
4" 11GA 16	9.8	8.6	7.9	6.5	5.4	4.4	3.5	2.9	2.2	B
4" 11GA 18	8.1	7.4	6.7	5.4	4.2	3.4	2.8	2.2	1.7	B
4" 11GA 20	7.1	6.3	5.6	4.4	3.4	2.7	2.1	1.6	1.1	B
4" 11GA 22	5.9	5.1	4.4	3.4	2.4	1.9	1.5	1.1	0.8	B
4" 11GA 24	4.9	4.1	3.4	2.4	1.7	1.3	1.0	0.7	0.5	B
4" 11GA 26	4.1	3.3	2.6	1.7	1.2	0.9	0.7	0.5	0.4	B
4" 11GA 28	3.4	2.6	2.0	1.3	0.9	0.7	0.5	0.4	0.3	B
4" 11GA 30	2.8	2.0	1.5	1.0	0.7	0.5	0.4	0.3	0.2	B
4" 11GA 32	2.3	1.6	1.2	0.8	0.6	0.4	0.3	0.2	0.2	B
4" 11GA 34	1.9	1.3	1.0	0.7	0.5	0.4	0.3	0.2	0.1	B
4" 11GA 36	1.6	1.1	0.8	0.6	0.4	0.3	0.2	0.1	0.1	B
4" 11GA 38	1.3	0.9	0.7	0.5	0.4	0.3	0.2	0.1	0.1	B
4" 11GA 40	1.1	0.7	0.5	0.4	0.3	0.2	0.1	0.1	0.1	B
4" 11GA 42	0.9	0.6	0.4	0.3	0.2	0.1	0.1	0.1	0.1	B
4" 11GA 44	0.8	0.5	0.4	0.3	0.2	0.1	0.1	0.1	0.1	B
4" 11GA 46	0.7	0.4	0.3	0.2	0.1	0.1	0.1	0.1	0.1	B
4" 11GA 48	0.6	0.4	0.3	0.2	0.1	0.1	0.1	0.1	0.1	B
4" 11GA 50	0.5	0.3	0.2	0.1	0.1	0.1	0.1	0.1	0.1	B
4" 11GA 52	0.4	0.3	0.2	0.1	0.1	0.1	0.1	0.1	0.1	B
4" 11GA 54	0.3	0.2	0.1	0.1	0.1	0.1	0.1	0.1	0.1	B
4" 11GA 56	0.3	0.2	0.1	0.1	0.1	0.1	0.1	0.1	0.1	B
4" 11GA 58	0.2	0.1	0.1	0.1	0.1	0.1	0.1	0.1	0.1	B
4" 11GA 60	0.2	0.1	0.1	0.1	0.1	0.1	0.1	0.1	0.1	B

LSI Industries' poles are guaranteed to meet the EPA requirements listed. LSI Industries is not responsible if a pole order has a lower EPA rating than the indicated wind-loading zone where the pole will be located. CAUTION: This guarantee does not apply if the pole/bracket/fixture combination is used to support any other items such as signs, banners, or signs, which would add stress to the pole. LSI Industries cannot accept responsibility for harm or damage caused in these situations.

STEEL SQUARE POLES

POLE ORDERING INFORMATION

TYPICAL ORDER EXAMPLE: 5SQB5 S07G 24 S P L P S F D G P

Pole Section	Material	Height	Mounting Configuration	Pole Finish	Options
Top 10' - 10' Gal. Steel Bottom 10' - 10' Gal. Steel	S150 - 11 Gal. Steel S07G - 07 Gal. Steel	14' 16' 18' 20' 22' 24' 26' 28' 30'	S - Single Pole/Post D - Double Pole/Post O - Double Pole/Post W - White G - Galn. Verte. Green P - Polym. Powder M - Metallic Silver	BRZ - Bronze BLK - Black PLP - Platinum Plus WTF - White SFG - Galn. Verte. Green DPT - Duplex MSV - Metallic Silver	GA - Galvanized Anchor Bolts SF - Single Flange LF - Double Flange DTP - Double Flange Plus LAL - Laminated Anchor Bolts GPT - Ground Protection MOS - Occupancy Sensor

ACCESSORY ORDERING INFORMATION (Accessories are field installed)

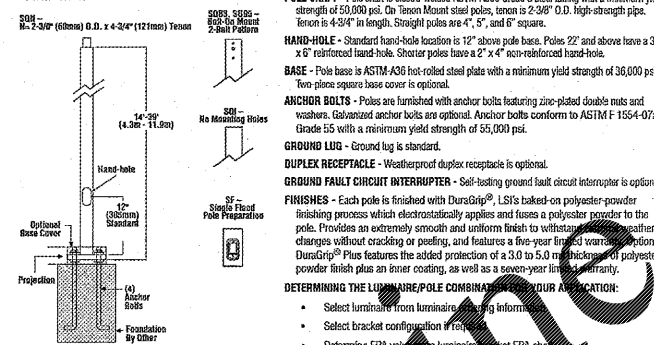
Description	Order Number	Order Number
4" - 1/2" Square Base Coat	17730A	17730B
4" - 1/2" Square Base Coat	17730C	17730D
4" - 1/2" Square Base Coat	17730E	17730F
4" - 1/2" Square Base Coat	17730G	17730H
4" - 1/2" Square Base Coat	17730I	17730J
4" - 1/2" Square Base Coat	17730K	17730L
4" - 1/2" Square Base Coat	17730M	17730N
4" - 1/2" Square Base Coat	17730O	17730P
4" - 1/2" Square Base Coat	17730Q	17730R
4" - 1/2" Square Base Coat	17730S	17730T
4" - 1/2" Square Base Coat	17730U	17730V
4" - 1/2" Square Base Coat	17730W	17730X
4" - 1/2" Square Base Coat	17730Y	17730Z

BOLT CIRCLE

	1" (127mm) Dia. Bolt Circle	1 1/4" (127mm) Dia. Bolt Circle	1 1/2" (127mm) Dia. Bolt Circle	1 3/4" (127mm) Dia. Bolt Circle
Anchor Bolt Spacing	3" x 3"	3" x 3"	3" x 3"	3" x 3"
Anchor Bolt Projection	3/4"	3/4"	3/4"	3/4"
Base Plate Dimensions	10-1/2" sq. x 11-1/2" sq.	10-1/2" sq. x 11-1/2" sq.	10-1/2" sq. x 11-1/2" sq.	10-1/2" sq. x 11-1/2" sq.

STEEL SQUARE POLES

DIMENSIONS



DRILLING LOCATIONS

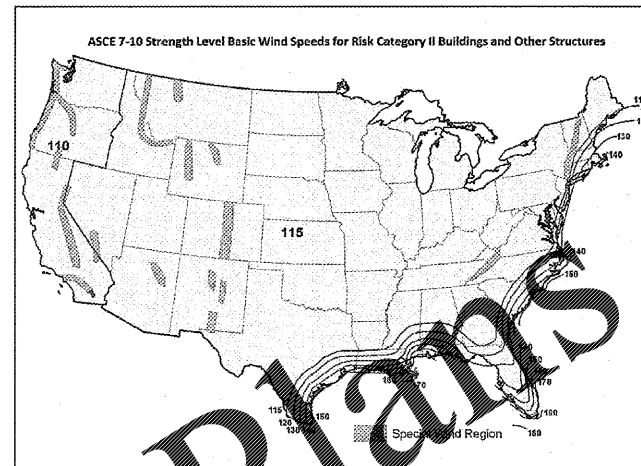
Side	Side "A" (Round-End Side)	Side "B" (Square-End Side)
Side "A"	X	X
Side "B"	X	X
Top	X	X
Bottom	X	X
Left	X	X
Right	X	X

Project Name: _____ Fixture Type: _____ 11/2017
 Catalog #: _____ LSI INDUSTRIES INC.

Project Name: _____ Fixture Type: _____ 11/2017
 Catalog #: _____ LSI INDUSTRIES INC.

Project Name: _____ Fixture Type: _____ 11/2017
 Catalog #: _____ LSI INDUSTRIES INC.

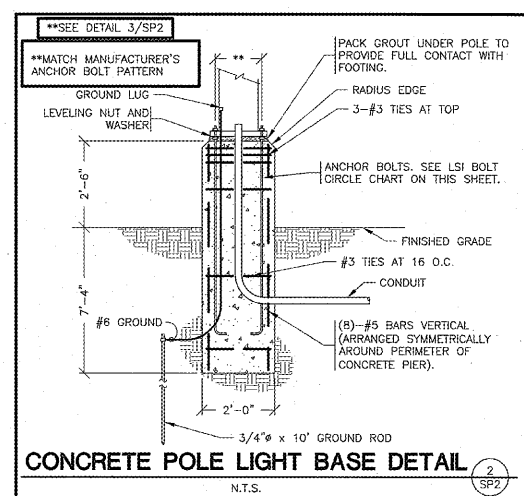
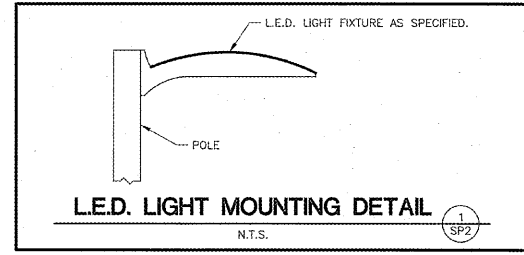
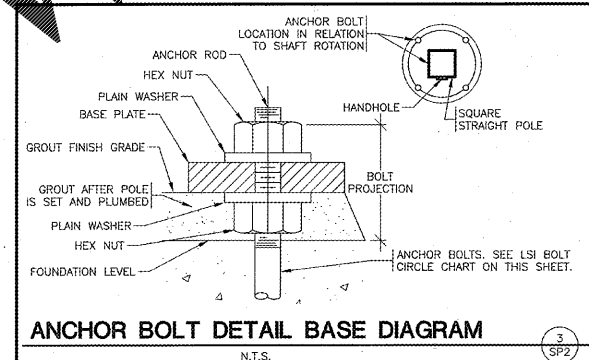
WINDSPEED MAP FOR ASCE7-10



Wind Speed Map and Pole EPA ratings are based on ANSI/ASCE 7-10. Please inform LSI if your local code requirements differ; LSI can supply calculations to your code requirements.

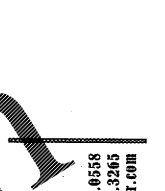
- NOTES:
- Values are the 10-minute mean wind speeds at 33 ft. (10 m) above ground for exposure Category 2.
 - Linear interpolation between wind speed contours is acceptable.
 - When using this map to determine EPA readings, always use high end of range.
 - Return and pressure values are based on wind pressure and forces specified in ANSI/ASCE 7-10.

LSI Industries' poles are guaranteed to meet the EPA requirements listed. Pole manufacturer is not responsible if a pole order has a lower EPA rating than the indicated wind-loading zone where the pole will be located. CAUTION: This guarantee does not apply if the pole/bracket/fixture combination is used to support any other items such as signs, banners, or signs, which would add stress to the pole. LSI Industries cannot accept responsibility for harm or damage caused in these situations.



Project Name: _____ Fixture Type: _____ 4/2017
 Catalog #: _____ LSI INDUSTRIES INC.

SGE
 SMITH-GOTH ENGINEERS, INC.
 3855 S. JEFFERSON AVE. P: 417-882-2200
 SPRINGFIELD, MO 65807 F: 417-882-1188
 WWW.SMITH-GOTH.COM



CRIG A. SCHNEIDER, AIA
 ARCHITECT
 1736 East Sunshine, Suite 417
 Springfield, Missouri 65804
 417.862.8558
 Fax: 417.562.3265
 e-mail: architect@esteryarchitect.com

PROJECT: NEW O'REILLY AUTO PARTS STORE
 PRICEVILLE, AL
1736 East Sunshine, Suite 417
 Springfield, Missouri 65804
417.862.8558
 Fax: 417.562.3265
 e-mail: architect@esteryarchitect.com

O'Reilly AUTO PARTS
 CORPORATE OFFICES
 233 SOUTH PATTERSON
 SPRINGFIELD, MISSOURI 65802
 (417) 862-2674 TELEPHONE

COMM # 4160
 DATE: 04-06-18
 REVISION
 DATE: