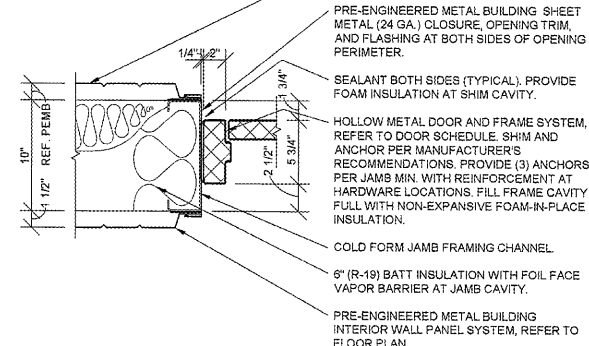


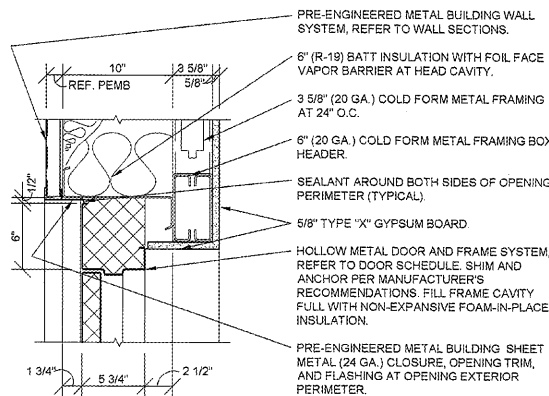
**1 HEAD DETAIL**

A5.1 SCALE: 1 1/2" = 1'-0"



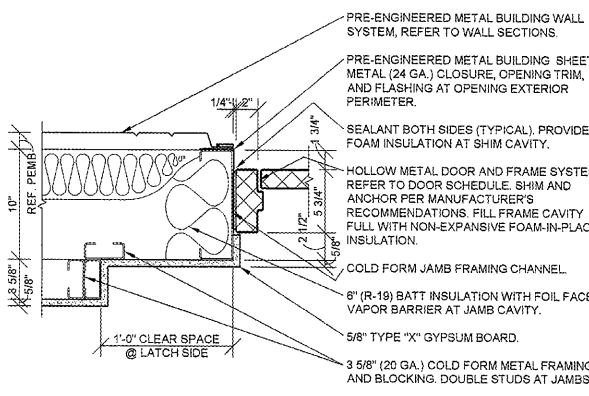
**2 JAMB DETAIL**

A5.1 SCALE: 1 1/2" = 1'-0"



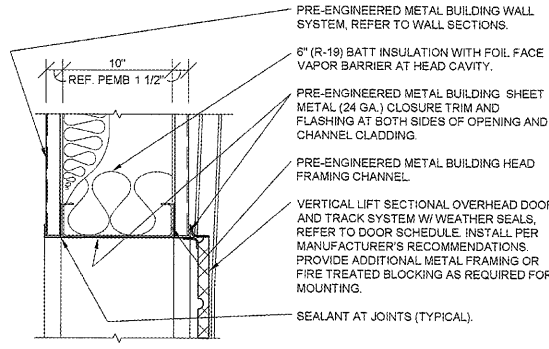
**3 HEAD DETAIL**

A5.1 SCALE: 1 1/2" = 1'-0"



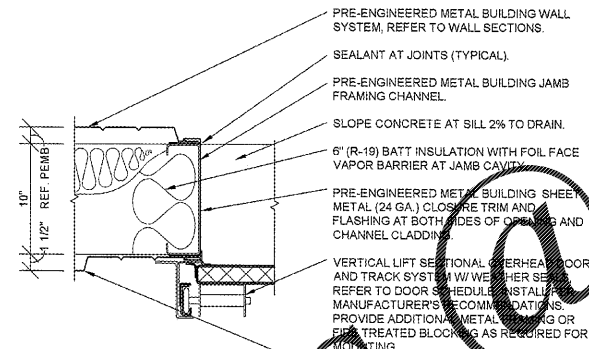
**4 JAMB DETAIL**

A5.1 SCALE: 1 1/2" = 1'-0"



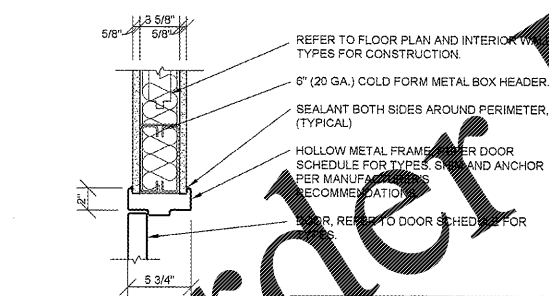
**5 HEAD DETAIL**

A5.1 SCALE: 1 1/2" = 1'-0"



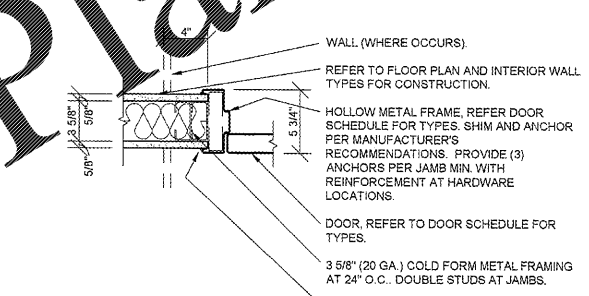
**6 JAMB DETAIL**

A5.1 SCALE: 1 1/2" = 1'-0"



**7 HEAD DETAIL**

A5.1 SCALE: 1 1/2" = 1'-0"



**8 JAMB DETAIL**

A5.1 SCALE: 1 1/2" = 1'-0"

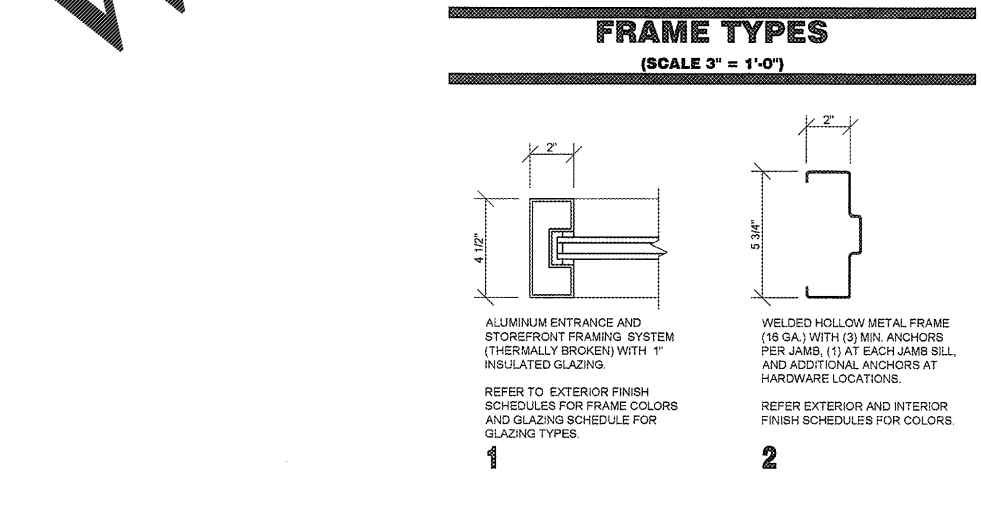
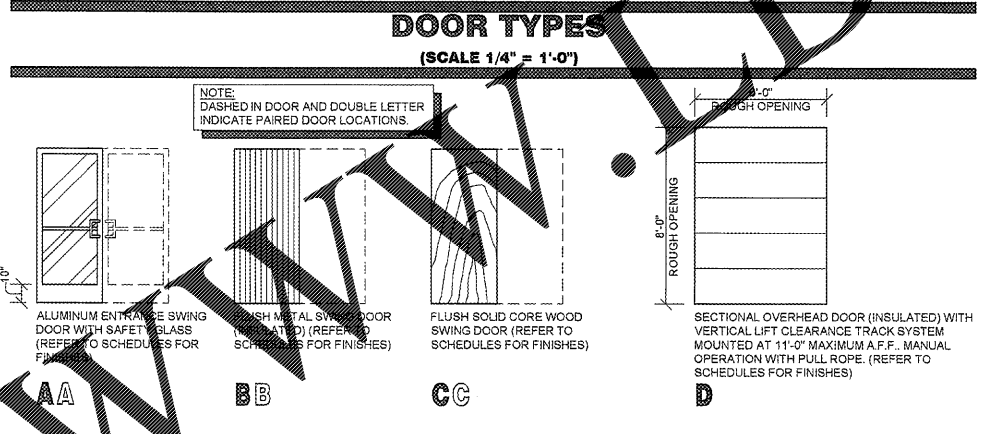
### DOOR SCHEDULE

MK	DOOR			DOOR HARDWARE		FRAME		DETAILS			FIRE RATING	REMARKS (REFER NOTES)		
	SIZE (W X H D)	TYPE	SWING	MATERIAL	GLAZ. TYPE	SET #	KEYED	TYPE	MATERIAL	HEAD WIDTH			HEAD	JAMB
1	3'-0" X 7'-0" X 1-3/4"	A	REFER TO FLOOR PLAN	ALUMINUM		1	A	1	ALUMINUM		4/A5.2	4/A5.2	5/A5.2	1, 2
2	3'-0" X 7'-0" X 1-3/4"	B	REFER TO FLOOR PLAN	INSULATED METAL		2	A	2	INSULATED METAL		1/A5.1	2/A5.1	5/A5.2 SIM.	1, 2, 3
3	6'-0" X 8'-0"	D	SECTIONAL OVERHEAD	INSULATED METAL		3			MANUFACTURER'S STANDARDS		5/A5.1	6/A5.1		1
4	3'-0" X 7'-0" X 1-3/4"	C	REFER TO FLOOR PLAN	SOLID WOOD		4		2	HOLLOW METAL		7/A5.1	8/A5.1		1, 4
5	3'-0" X 7'-0" X 1-3/4"	C	REFER TO FLOOR PLAN	SOLID WOOD		5		2	HOLLOW METAL		7/A5.1	8/A5.1		1, 4
6	3'-0" X 7'-0" X 1-3/4"	C	REFER TO FLOOR PLAN	SOLID WOOD		5		2	HOLLOW METAL		7/A5.1	8/A5.1		1, 4
7	3'-0" X 7'-0" X 1-3/4"	B	REFER TO FLOOR PLAN	INSULATED METAL		6		2	INSULATED METAL		3/A5.1	4/A5.1	5/A5.2 SIM.	1, 3

NOTES:  
 1. ALL DOORS SHALL BE SHOP PREPARED FOR HARDWARE.  
 2. ALL EXTERIOR DOORS TO BE KEYPED ALIKE. CONTRACTOR TO FIELD VERIFY AND MATCH CORE OF DOOR MARKED "Z".  
 3. EXTERIOR DOOR, FRAME AND HARDWARE OWNER FURNISHED AND CONTRACTOR INSTALLED. REFER TO SCOPE OF WORK SCHEDULE.  
 4. CONTRACTOR'S OPTION TO PURCHASE INTERIOR DOORS, FRAMES, AND HARDWARE THROUGH PREFERRED VENDOR. REFER TO SCOPE OF WORK SCHEDULE.

LOCKNET  
 100 COURCHELLE DRIVE  
 NICHOLASVILLE, KY 40356  
 CONTACT: PAM PEEL  
 PHONE 800-897-4307 EXT 133  
 FAX 959-881-5499  
 EMAIL: construction@locknet.com

SPECIAL NOTE:  
 UNLESS OTHERWISE INDICATED, KNOCK DOWN (KD) TYPE DOOR FRAMES ARE NOT PERMITTED.



### DOOR HARDWARE SCHEDULE

HARDWARE NOTES:  
 1. ALL HARDWARE TO BE ADA AND ANSI COMPLIANT.  
 2. VERIFY COMPATIBILITY OF HARDWARE SPECIFIED. NOTIFY ARCHITECT OF INCOMPATIBILITY ISSUES PRIOR TO ORDERING AND INSTALLATION.

SET NO. 1 (DR. 1)  
 1 CYLINDER: 20-062 X US26D - "E" KEYWAY (REMOVABLE CORE)..... SCHLAGE

(FOLLOWING REQUIRED HARDWARE FURNISHED WITH WINDOW FRAMING DOOR SYSTEM)  
 1 PAIR OFFSET PIVOTS: 195/188 X US26D..... PEKMO  
 1 DEADLOCK: MS 1850S X US28..... KENAM RITE  
 1 DEADLOCK LEVER: 4550 X US28..... KENAM RITE  
 1 STRIKE: MS4002 X US28..... KENAM RITE  
 1 SET PUSH/PULLS: 86-151 ULTRALINE W/ OFFSET PULL X US26D..... PEKMO  
 1 CLOSER: 4041-3077-18TJ-T8 X AL (ADJ. TO 8.5 LBS.)..... LCN  
 1 SET PERIMETER GASKETS: POLYMERIC BULB X LENGTH REQUIRED..... PEMKO  
 1 SWEEP: 345AP X LENGTH REQUIRED..... PEMKO  
 1 THRESHOLD: 270A X LENGTH REQUIRED OFFSET PIVOT CORE..... PEMKO (ANSI & ADA COMPLIANT)..... PEMKO

SET NO. 2 (DR. 2)  
 1 CONTINUOUS HINGE: 780-12HD X LENGTH REQUIRED X US28..... HAGER  
 1 CYLINDER: 20-067 X US26D - "E" KEYWAY (REMOVABLE CORE)..... SCHLAGE  
 1 EXIT PANIC LOCK: 4008 X US26D - P..... HAGER  
 (THROUGH SEX BOLT MOUNTING)..... DORMA  
 1 CLOSER: 16DST X 1/2" X SNB (ADJ. TO 8.5 LBS.)..... DORMA  
 (THROUGH SEX BOLT MOUNTING)..... DORMA  
 1 SET PERIMETER GASKETS: JAMBS - KERFED QEBD-500, HEADER - ADHESIVE QDST-675..... SCHLEGEL  
 1 LATCH GUARD: LG100Z/8F X US26D (STRAIGHT W/PIN W/ SEX BOLTS)..... LATCHGUARD  
 1 DOOR VIEWER: 190 DEGREE WIDE ANGLE X US26D..... LIVES  
 1 KICK PLATE: 192S X 8" X 34" X US32D..... HAGER  
 1 SWEEP: 345AP X LENGTH REQUIRED..... PEMKO  
 1 THRESHOLD: 271A X LENGTH REQUIRED..... PEMKO

SET NO. 3 (DR. 3)  
 REQUIRED HARDWARE FURNISHED WITH OVERHEAD DOOR SYSTEM (LOCKING FROM INSIDE ONLY)

SET NO. 4 (DR. 4)  
 3 HINGES: BB1279 X 4 1/2" X 4 1/2" X US26D..... HAGER  
 1 OFFICE LOCK: AUS307LN X US26D..... YALE  
 1 WALL BUMPER: 409 X US26D..... ROCKWOOD

SET NO. 5 (DR. 5, 6)  
 3 HINGES: BB1279 X 4 1/2" X 4 1/2" X US26D..... HAGER  
 1 PRIVACY LOCK: AUS307LN X US26D..... YALE  
 1 WALL BUMPER: 409 X US26D..... ROCKWOOD

SET NO. 6 (DR. 7)  
 3 HINGES: ECB1100 X 4 1/2" X 4 1/2" X US32D X NRP..... HAGER  
 1 EXIT ONLY PANIC LOCK: 8900B X 488 X 689..... DORMA  
 1 CLOSER: 5300MLT X ALM (ADJ. TO 8.5 LBS.)..... HAGER  
 (THROUGH SEX BOLT MOUNTING)..... HAGER  
 1 SET PERIMETER GASKETS: JAMBS - KERFED QEBD-500, HEADER - ADHESIVE QDST-675..... SCHLEGEL  
 1 LATCH GUARD: LG100Z/8F X US26D (STRAIGHT W/PIN W/ SEX BOLTS)..... LATCHGUARD  
 1 SWEEP: 345AP X LENGTH REQUIRED..... PEMKO  
 1 THRESHOLD: 271A X LENGTH REQUIRED..... PEMKO

### GENERAL NOTES

(A) REFER TO PROJECT MANUAL FOR ADDITIONAL REQUIREMENTS.

(B) REFER TO BUILDING CODE SUMMARY FOR PROJECT STRUCTURAL DESIGN CRITERIA. DOOR FRAMING AND ANCHORING SYSTEMS SHALL BE DESIGNED BY MANUFACTURER TO CONFORM TO PERFORMANCE AND TESTING REQUIREMENTS SPECIFIED.

(C) REFER TO FLOOR PLAN, ELEVATIONS, AND SECTIONS FOR ADDITIONAL REQUIREMENTS.

(D) REFER TO EXTERIOR AND INTERIOR FINISH SCHEDULES FOR COLORS. PERIMETER SEALANT COLOR TO MATCH FRAME COLOR UNLESS OTHERWISE INDICATED.



**CRAG A. SCHNEIDER, AIA**  
 ARCHITECT  
 417.862.6531  
 417.862.9266  
 e-mail: architect@estrieschneider.com

PROJECT:  
**NEW O'REILLY AUTO PARTS STORE**  
 HWY 67  
 PRICEVILLE, AL  
**DOOR SCHEDULE**



COMM # 4100  
 DATE: 04-06-18  
 REVISION  
 DATE: