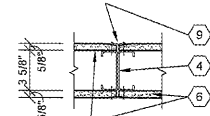


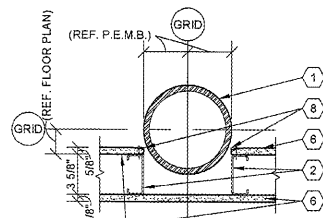
1 COLUMN DETAIL

A4.2 SCALE: 3/4" = 1'-0"



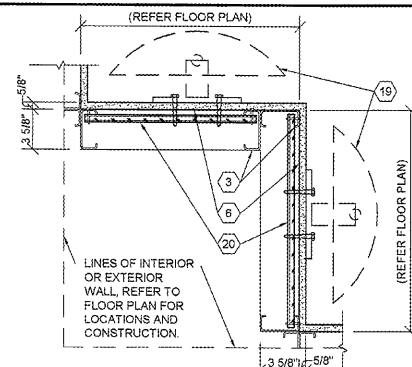
2 GYPSUM BOARD C.J. DETAIL

A4.2 SCALE: 1 1/2" = 1'-0"



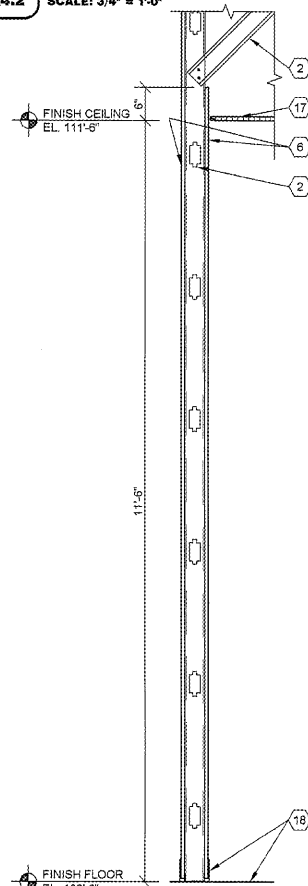
3 COLUMN DETAIL

A4.2 SCALE: 1 1/2" = 1'-0"



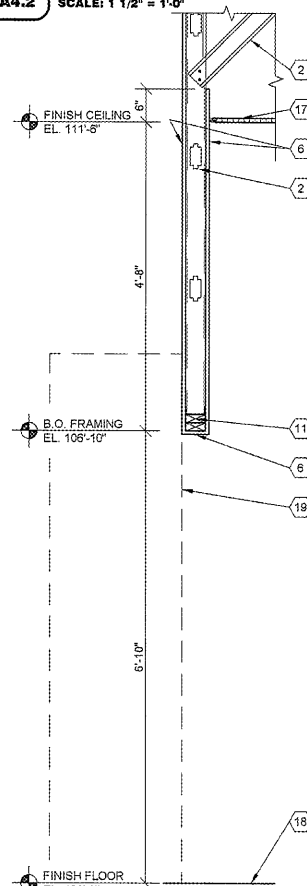
4 FRAMING DETAIL

A4.2 SCALE: 1 1/2" = 1'-0"



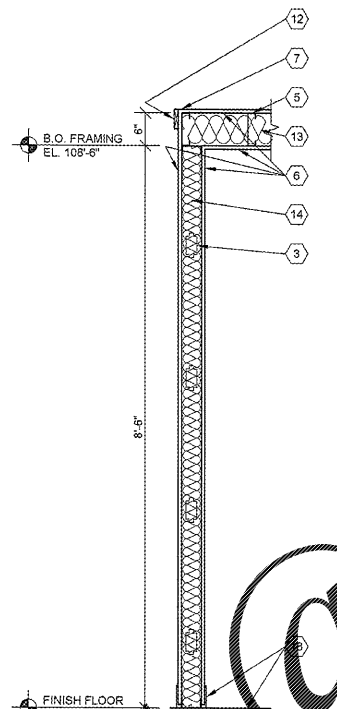
5 INTERIOR WALL SECTION

A4.2 SCALE: 3/4" = 1'-0"



6 INTERIOR WALL SECTION

A4.2 SCALE: 3/4" = 1'-0"



7 INTERIOR WALL SECTION

A4.2 SCALE: 3/4" = 1'-0"

8 NOT USED

A4.2 SCALE: 3/4" = 1'-0"

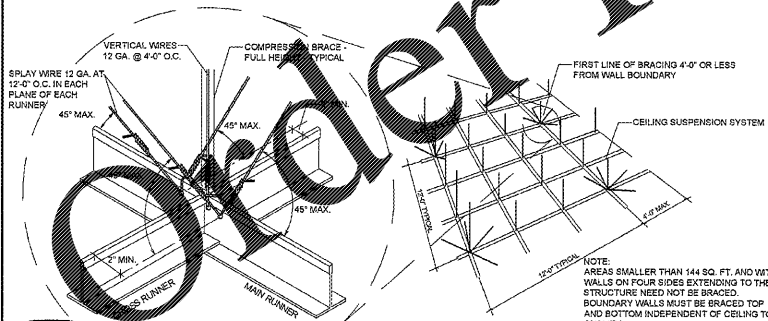
SPECIAL NOTE:
REFER TO SHEET G1.1 FOR PROJECT'S DEFINED SEISMIC DESIGN CATEGORY TO DETERMINE INSTALLATION REQUIREMENTS.

NOTE:
DIAGRAM BELOW ONLY APPLIES IN SEISMIC DESIGN CATEGORIES IS "D", "E" OR "F".

GENERAL INSTALLATION REQUIREMENTS
(REFER ALSO TO PROJECT MANUAL):

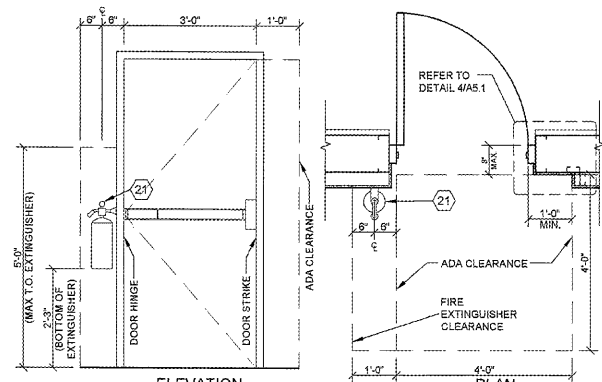
SEISMIC DESIGN CATEGORY "C":
CONFORM TO ASTM E580.
-MINIMUM 7/8" WALL MOLDING
-SUSPENSION SYSTEM MUST NOT BE ATTACHED TO THE WALL MOLDING
-MINIMUM 3/8" CLEARANCE ON ALL SIDES
-MINIMUM 3/8" OVERLAP OF THE SUSPENSION SYSTEM ON THE WALL MOLDING
-ENDS OF MAIN BEAMS AND CROSS TEES MUST BE TIED TOGETHER TO PREVENT THEIR SPREADING.
-SAFETY WIRES REQUIRED ON LIGHT FIXTURES.

SEISMIC DESIGN CATEGORIES "D", "E" AND "F":
CONFORM TO ASTM C638 AND ASTM E580.
-MINIMUM 2" WALL MOLDING
-SUSPENSION SYSTEM MUST BE ATTACHED TO TWO ADJACENT WALLS
-OPPOSITE WALLS MUST HAVE 3/4" CLEARANCE.
-ENDS OF MAIN BEAMS AND CROSS TEES MUST BE TIED TOGETHER TO PREVENT THEIR SPREADING.
-HEAVY DUTY SUSPENSION SYSTEM
-CEILING AREAS OVER 1,000 SQ. FT. MUST HAVE HORIZONTAL RESISTANT WIRE OR RIGID BRACING (REFER DETAIL).
-CEILING AREAS OVER 2,500 SQ. FT. MUST HAVE SEISMIC SEPARATION JOINTS OR FULL HEIGHT PARTITIONS
-CEILING WITHOUT RIGID BRACING MUST HAVE 2" OVERSIZED TRIM RINGS FOR SPRINKLERS AND OTHER PENETRATIONS.
-CHANGES IN CEILING PLANE MUST HAVE POSITIVE BRACING.
-CABLE TRAYS AND ELECTRICAL CONDUITS MUST BE INDEPENDENTLY SUPPORTED AND BRACED
-SUSPENDED CEILING WILL BE SUBJECT TO SPECIAL INSPECTIONS.
-PERIMETER SUPPORT WIRES WITHIN 6"



9 SUSPENDED CEILING SEISMIC BRACING

A4.2 NOT TO SCALE



10 FIRE EXTINGUISHER DETAIL

A4.2 SCALE: 1/2" = 1'-0"

GENERAL NOTES

- (A) REFER TO PROJECT MANUAL FOR ADDITIONAL REQUIREMENTS.
- (B) DIMENSIONS ARE TO ROUGH FACE OF CONCRETE, MASONRY, FRAMING, OR CENTER LINE OF STRUCTURE UNLESS OTHERWISE INDICATED.
- (C) REFER TO INTERIOR FINISH SCHEDULES FOR MATERIAL TYPES, COLORS AND FINISHES.

KEY NOTES

- (1) PRE-ENGINEERED METAL BUILDING STRUCTURAL STEEL COLUMN, REFER TO P.E.M.B. DRAWINGS FOR ADDITIONAL REQUIREMENTS, PAINT (WHERE INDICATED).
- (2) 3/8" COLD FORM METAL FRAMING ATTACHED TO ROOF STRUCTURE, REFER TO STRUCTURAL DRAWINGS FOR FRAMING REQUIREMENTS.
- (3) 3/8" (20 GA.) COLD FORM METAL FRAMING AT 24" O.C., REFER TO INTERIOR WALL TYPES FOR ADDITIONAL REQUIREMENTS.
- (4) 3/8" COLD FORM METAL STUDS DOUBLED AT CONTROL JOINT.
- (5) 6" (20 GA.) COLD FORM METAL JOIST FRAMING AT 24" O.C.
- (6) 5/8" TYPE "X" GYPSUM BOARD. REFER TO INTERIOR WALL TYPES AND FOR ADDITIONAL REQUIREMENTS.
- (7) GYPSUM BOARD CORNER BEAD CONTINUOUS.
- (8) GYPSUM BOARD "J" MOLDING CONTINUOUS.
- (9) GYPSUM BOARD CONTIGUOUS ONE PIECE VEE-SHAPED SLOT CONTROL JOINT (1/4" X 7/16") AT BOTH SIDES OF WALL.
- (10) FIRE TREATED 2X NAILERS OR BLOCKING.
- (11) (2) FIRE TREATED 2X NAILERS.
- (12) 1X4 WOOD TRIM (PAINT GRADE PINE) ATTACHED TO METAL STUD FRAMING WITH TECH 12 SCREWS AT 24" O.C. SET FLUSH. PAINT EXPOSED SURFACES TO MATCH WALL FINISH.
- (13) 6" UNFACED SOUND BATT INSULATION.
- (14) 3 1/2" UNFACED SOUND BATT INSULATION.
- (15) ALUMINUM WINDOW SYSTEM, REFER TO FLOOR PLAN AND WINDOW SCHEDULE FOR TYPES.
- (16) PRE-FINISHED SHEET METAL (24 GA.) COLUMN ENCLOSURE TO EXTEND THRU FINISH CEILING SYSTEM. COLOR TO MATCH WINDOW FRAMING FINISH. NO EXPOSED HORIZONTAL SEAMS PERMITTED.
- (17) SUSPENDED ACOUSTICAL CEILING SYSTEM, REFER TO INTERIOR FINISH SCHEDULE FOR TYPES AND LOCATIONS.
- (18) FINISH FLOORING AND BASE, REFER TO INTERIOR FINISH SCHEDULE FOR TYPES AND LOCATIONS.
- (19) OWNER FURNISHED AND INSTALLED FIXTURE, REFER TO INTERIOR FINISH PLAN FOR LAYOUT. (REFER TO SCOPE OF WORK SCHEDULE.)
- (20) 5/8" FIRE TREATED PLYWOOD BACKING TO BACK SIDE OF STUD FRAMING WITH TECH 12 SCREWS AT 24" O.C. SET FLUSH. PAINT EXPOSED SURFACES TO MATCH WALL FINISH.
- (21) PORTABLE FIRE EXTINGUISHER MOUNTED AT 42" ABOVE FINISH FLOOR TO CENTERLINE OF EXTINGUISHER. FIRE EXTINGUISHERS SHALL BE UL LISTED ABC TYPE, WITH 10 LBS. CAPACITY. MOUNTING BRACKET QUICK RELEASE TYPE. REFER TO FLOOR PLAN FOR LOCATIONS. PROVIDE BLOCKING AS REQUIRED FOR MOUNTING.

WWW.LDILING.COM



CRAIG A. SCHNEIDER, AIA
ARCHITECT

417.862.0521
417.862.3265
1736 East Sunshine, Suite 417
Springfield, Missouri 65804
e-mail: architect@estertyschneider.com

PROJECT:
NEW O'REILLY AUTO PARTS STORE
HWY 67
PRICEVILLE, AL

INTERIOR SECTIONS & DETAILS



O'Reilly AUTO PARTS
CORPORATE OFFICES
535 SOUTH PATTERSON
SPRINGFIELD, MISSOURI 65802
(417) 862-2674 TELEPHONE

COMM # 4100
DATE: 04-06-18
REVISION
DATE: