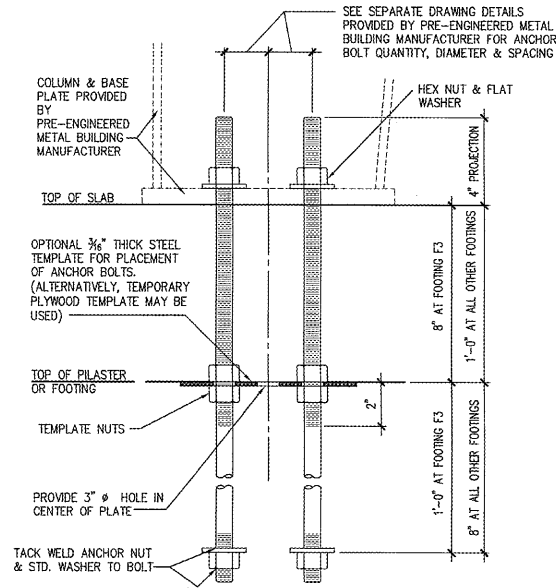
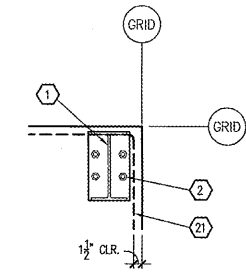


SCALE: AS SHOWN UNLESS NOTED OTHERWISE

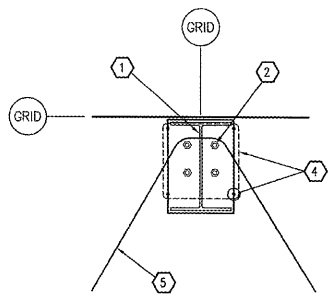


NOTE: ANCHOR BOLT ASSEMBLY TO BE PLACED IN FORM PRIOR TO POURING CONCRETE. BOLT MATERIAL MAY BE F1554 GR. 36, OR CONTINUOUSLY THREADED A36 ROD. ALL ANCHOR BOLTS SHALL BE CLEAN AND FREE OF ALL OIL, GREASE, ICE, ETC.

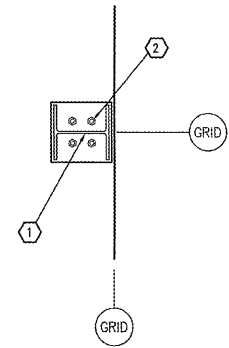
1 ANCHOR ASSEMBLY
S3.2 SCALE: NONE



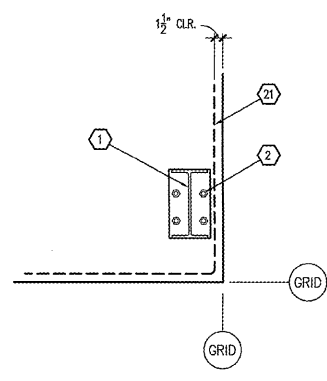
2 DETAIL
S3.2 SCALE: 3/4" = 1'-0"



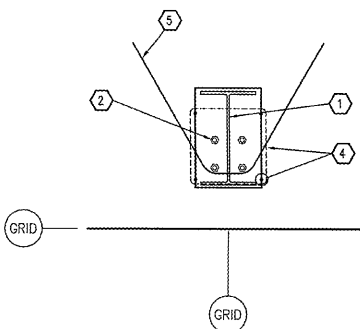
3 DETAIL
S3.2 SCALE: 3/4" = 1'-0"



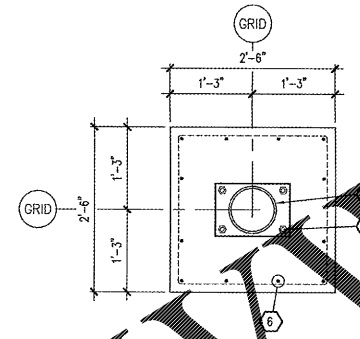
4 DETAIL
S3.2 SCALE: 3/4" = 1'-0"



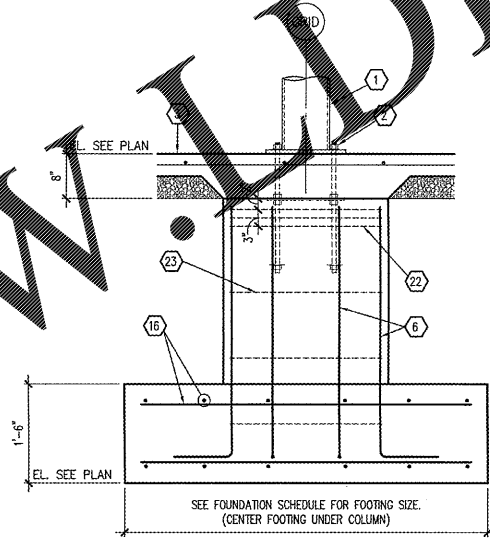
5 DETAIL
S3.2 SCALE: 3/4" = 1'-0"



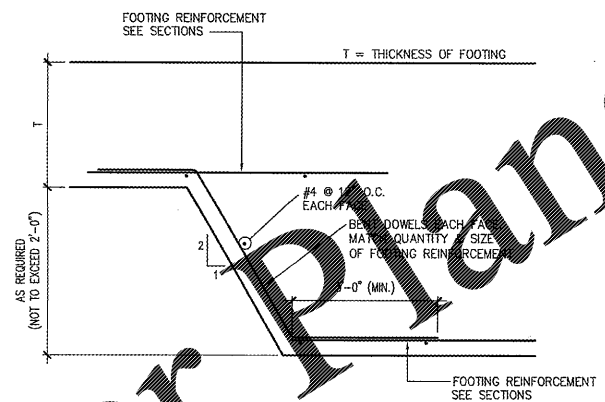
6 DETAIL
S3.2 SCALE: 3/4" = 1'-0"



7 DETAIL
S3.2 SCALE: 3/4" = 1'-0"



8 SECTION
S3.2 SCALE: 3/4" = 1'-0"



9 TYPICAL STEPPED FOOTING
S3.2 SCALE: NONE (IF REQUIRED BY FIELD CONDITIONS)

KEYNOTES

- 1 PRE-ENGINEERED METAL BUILDING STRUCTURAL SYSTEM. SEE P.E.M.B. SHOP DRAWINGS FOR ADDITIONAL INFORMATION.
- 2 ANCHOR BOLTS. SEE FOUNDATION DETAILS AND PRE-ENGINEERED METAL BUILDING DRAWINGS FOR SIZE, QUANTITY AND PLAN LOCATION. SEE 1/S3.1 FOR TYPICAL SHOP FABRICATED ANCHOR ASSEMBLY.
- 3 INTERIOR CONCRETE SLAB SEE FOUNDATION PLAN.
- 4 SEE DETAIL 12/S3.1 FOR VERTICAL ANCHOR BOLT CONFINEMENT REINFORCEMENT.
- 5 SLAB HAIRPIN - SEE DETAIL 9/S3.1
- 6 SEE FOUNDATION SCHEDULE FOR PLASTER REINFORCEMENT.
- 7 #3x5'-0" DOWEL @ 36" O.C. FIELD BEND AS SHOWN.
- 8 #4 CONTINUOUS (PRE-CAST BARS AT SLAB JOINTS)
- 9 #3 DOWELS @ 48" O.C.
- 10 #3 TIES @ 12" O.C.
- 11 #4'S CONTINUOUS THROUGH BOTTOM.
- 12 INTERIOR CONCRETE SLAB OR SIDEWALK SEE FOUNDATION PLAN.
- 13 AT EXTERIOR DOOR LOCATIONS DRILL 6" DEEP HOLES FOR #4x1'-6" DOWELS @ 24" O.C. AND ADHERE IN PLACE. SEE ADHESIVE ANCHOR SYSTEM NOTES SHEET S1 FOR INSTALLATION.
- 14 ISOLATION JOINT WITH ASPHALTIC FILLER & SEALANT
- 15 CONTINUOUS FOOTING REINFORCEMENT TO RUN THROUGH COLUMN FOUNDATIONS. SEE SECTION 1/S3.1 FOR REINFORCEMENT INFORMATION.
- 16 COLUMN FOOTING REINFORCEMENT-SEE FOUNDATION SCHEDULE.
- 17 CONTINUOUS FOOTING BEYOND
- 18 PAVING, SEE SITE DEVELOPMENT DRAWINGS FOR ADDITIONAL INFORMATION.
- 19 SEE GRADING PLAN FOR FINISHED GRADES.
- 20 STEEL BOLLARD SEE SITE PLAN.
- 21 #4 CORNER REINFORCEMENT CENTERED IN SLAB. 36"
- 22 (3) #3 TIES @ 12" O.C.
- 23 #3 TIES @ 12" O.C.
- 24 ADDITIONAL #4 CONTINUOUS AT TOP AND BOTTOM.
- 25 #3 @ 18" TOP AND BOTTOM.



CRAIG A. SCHNEIDER, AIA
ARCHITECT
1736 East Sunshine, Suite 417
Springfield, Missouri 65804
417.862.0558
417.862.3266
e-mail: archtrci@aesteryschneider.com

PROJECT:
NEW O'REILLY AUTO PARTS STORE
HWY 67
PRICEVILLE, AL
FOUNDATION DETAILS

O'Reilly AUTO PARTS
CORPORATE OFFICES
233 SOUTH PATTERSON
SPRINGFIELD, MISSOURI 65802
(417) 862-2674 TELEPHONE

COMM # 4160
DATE: 4-6-18
REVISION
DATE:

Order Plans @

JS Smith Consulting Engineers
Alabama State Certificate of Authorization CA-2283-E
Aron D. Smith P.E. 24301
P.O. Box 9102 * JOPLIN, MISSOURI 64802
PHONE: 417-824-0444 * FAX: 417-824-0430