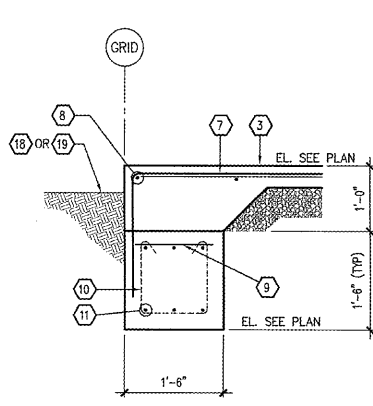
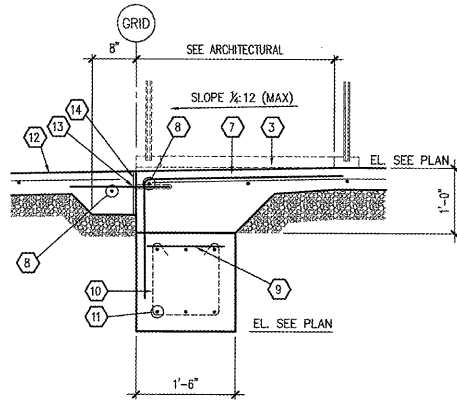


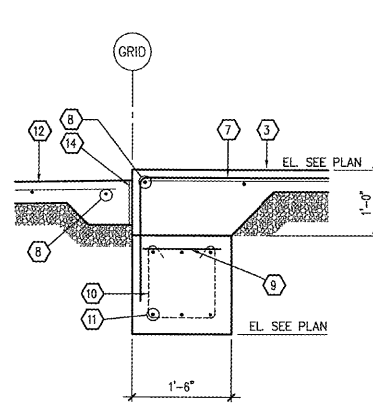
RECEIVED  
APR 04 2018  
1736 EAST SUNSHINE, SUITE 417  
SPRINGFIELD, MO



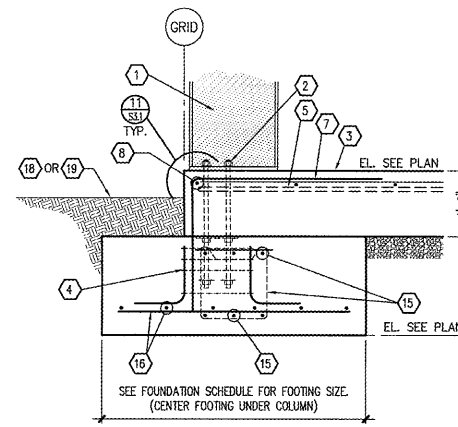
**1 SECTION**  
S3.1 SCALE: 3/4" = 1'-0"



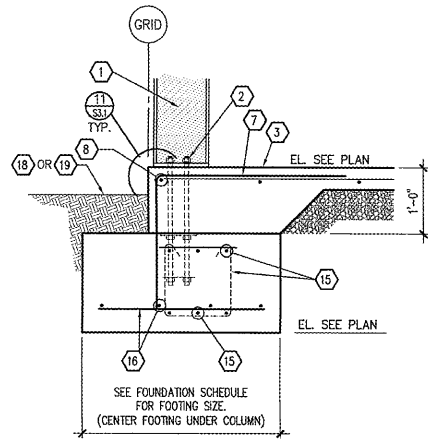
**2 SECTION**  
S3.1 SCALE: 3/4" = 1'-0"



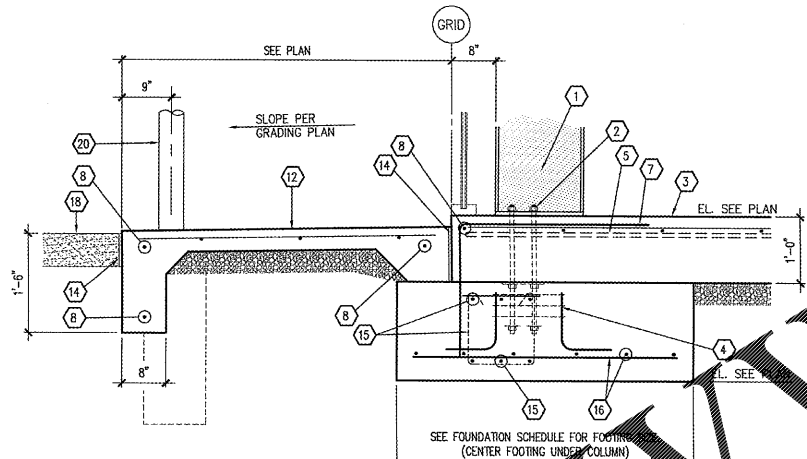
**3 SECTION**  
S3.1 SCALE: 3/4" = 1'-0"



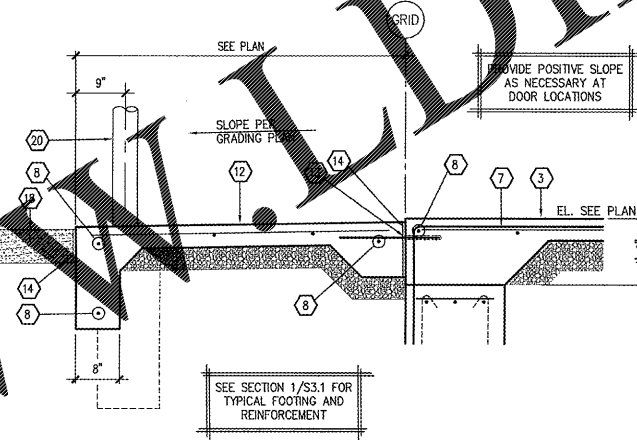
**4 SECTION**  
S3.1 SCALE: 3/4" = 1'-0"



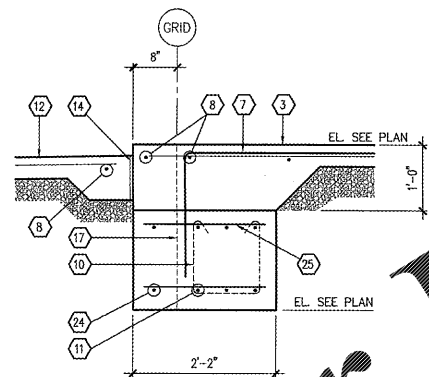
**5 SECTION**  
S3.1 SCALE: 3/4" = 1'-0"



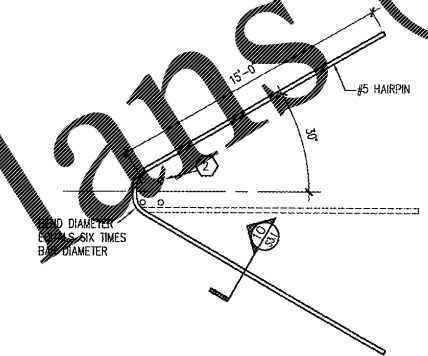
**6 SECTION**  
S3.1 SCALE: 3/4" = 1'-0"



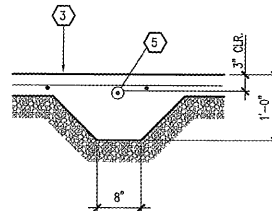
**7 SECTION**  
S3.1 SCALE: 3/4" = 1'-0"



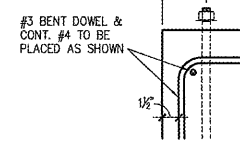
**8 SECTION**  
S3.1 SCALE: 3/4" = 1'-0"



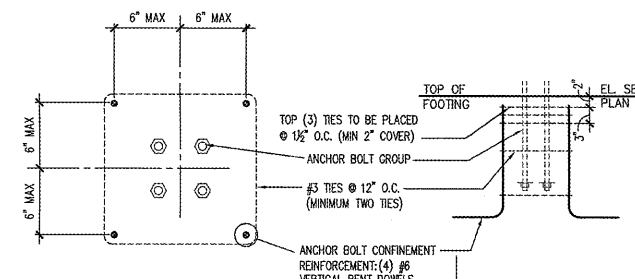
**9 TYPICAL HAIRPIN DETAIL**  
S3.1 SCALE: NONE



**10 SECTION**  
S3.1 SCALE: 3/4" = 1'-0"



**11 DETAIL**  
S3.1 SCALE: 3/4" = 1'-0"



**12 SECTION**  
S3.1 SCALE: VARIES

**KEYNOTES**

- 1 PRE-ENGINEERED METAL BUILDING STRUCTURAL SYSTEM. SEE P.E.M.B. SHOP DRAWINGS FOR ADDITIONAL INFORMATION.
- 2 ANCHOR BOLTS. SEE FOUNDATION DETAILS AND PRE-ENGINEERED METAL BUILDING DRAWINGS FOR SIZE, QUANTITY AND PLAN LOCATION. SEE 1/63.1 FOR TYPICAL SHOP FABRICATED ANCHOR ASSEMBLY.
- 3 INTERIOR CONCRETE SLAB SEE FOUNDATION PLAN.
- 4 SEE DETAIL 12/S3.1 FOR VERTICAL ANCHOR BOLT CONFINEMENT REINFORCEMENT.
- 5 SLAB HAIRPIN - SEE DETAIL 9/S3.1
- 6 SEE FOUNDATION SCHEDULE FOR PILASTER REINFORCEMENT.
- 7 #3x5'-0" DOWEL @ 36" O.C. FIELD BEND AS SHOWN
- 8 #4 CONTINUOUS (REINFORCEMENT BARS AT SLAB JOINTS)
- 9 #3 DOWELS @ 4" O.C.
- 10 #3 STRIPS @ 0" O.C.
- 11 #4's CONTINUOUS AT BOTTOM.
- 12 INTERIOR CONCRETE SLAB OR SIDEWALK SEE FOUNDATION PLAN.
- 13 AT EXTERIOR DOOR LOCATIONS DRILL 6" DEEP HOLES FOR #4x1'-6" DOWELS @ 24" O.C. AND ADHERE IN PLACE. SEE ADHESIVE ANCHOR SYSTEM NOTES SHEET S1 FOR INSTALLATION.
- 14 ISOLATION JOINT WITH ASPHALTIC FILLER & SEALANT
- 15 CONTINUOUS FOOTING REINFORCEMENT TO RUN THROUGH COLUMN FOUNDATIONS. SEE SECTION 1/S3.1 FOR REINFORCEMENT INFORMATION.
- 16 COLUMN FOOTING REINFORCEMENT-SEE FOUNDATION SCHEDULE.
- 17 CONTINUOUS FOOTING BEYOND
- 18 PAVING, SEE SITE DEVELOPMENT DRAWINGS FOR ADDITIONAL INFORMATION.
- 19 SEE GRADING PLAN FOR FINISHED GRADES.
- 20 STEEL BOLLARD SEE SITE PLAN.
- 21 #4 CORNER REINFORCEMENT CENTERED IN SLAB. 36"
- 22 (3) #3 TIES @ 12" O.C.
- 23 #3 TIES @ 12" O.C.
- 24 ADDITIONAL #4 CONTINUOUS AT TOP AND BOTTOM.
- 25 #3 @ 18" TOP AND BOTTOM.

Order Plans @



**Craig A. Schneider, AIA**  
ARCHITECT  
1736 East Sunshine, Suite 417  
Springfield, Missouri 65804  
Tel: 417.862.6568  
Fax: 417.862.3265  
e-mail: architec@astertyschneider.com

PROJECT:  
NEW O'REILLY AUTO PARTS STORE  
HWY 67  
PRICEVILLE, AL  
FOUNDATION DETAILS

**O'Reilly AUTO PARTS**  
CORPORATE OFFICES  
233 SOUTH PATTERSON  
SPRINGFIELD, MISSOURI 65802  
(417) 862-2674 TELEPHONE

COMM # 4160  
DATE: 4-6-18  
REVISION  
DATE:

**JS Smith Consulting Engineers**  
Alabama State Certificate of Authorization CA-2283-E  
Aaron D. Smith P.E. 24301  
P.O. Box 8102 \* JOPLIN, MISSOURI 64802  
PHONE: 417-824-0444 \* FAX: 417-624-0430