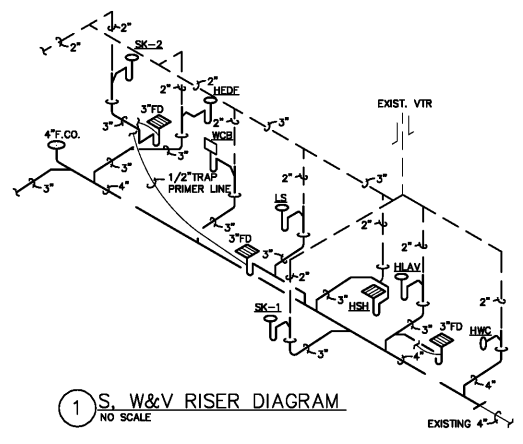


MARK	DESCRIPTION	CONNECTIONS			RIM HEIGHT	REMARKS
		CW	HW	S/W		
WC	WATER CLOSET-WALL HUNG REGULAR FLUSH VALVE	1"	4"		15"	
HWC	WATER CLOSET-HANDICAPPED REGULAR FLUSH VALVE-WALL HUNG	1"	4"		18"	19" TO TOP OF SEAT
UR	URINAL-REGULAR FLUSH VALVE	3/4"	2"		24"	
HUR	URINAL-HANDICAPPED REGULAR FLUSH VALVE	3/4"	2"		17"	
LAV	LAVATORY-WALL HUNG	1/2"	1/2"	1-1/4"	34"	
HLAV	LAVATORY-HANDICAPPED WALL HUNG	1/2"	1/2"	1-1/4"	34"	
SK-1	STAINLESS STEEL-COUNTERTOP SINK	1/2"	1/2"	1-1/2"		COORDINATE INSTALLATION W/ ARCH. COUNTER DETAIL.
SK-2	STAINLESS STEEL-WALL-HUNG SINK	1/2"	1/2"	1-1/2"		
LS	LAUNDRY SINK	1/2"	1/2"	1-1/2"		
EDF	ELECTRIC DRINKING FOUNTAIN WALL HUNG	1/2"		1-1/4"	40" TO TOP OF SPOUT	
HEDF	ELECTRIC DRINKING FOUNTAIN WALL HUNG-HANDICAPPED	1/2"		1-1/4"	36" MAX SPOUT HEIGHT 27" TO BOT. OF APRON	
SS	SERVICE SINK	1/2"	1/2"	3"	28"	
HSW	HANDICAPPED SHOWER VALVE ASSEMBLY	1/2"	1/2"	3"	MOUNT SHOWER VALVE 40" AFF SHOWER HEAD MEN'S 8'-5" AFF SHOWER HEAD WOMEN'S 6'-0" AFF	

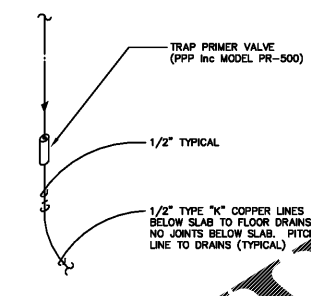
SYMBOLS & ABBREVIATIONS

- | | |
|---|-----------------------------|
| RAIN WATER LEADER (DS) OR STORM | HOT WATER (HW) |
| SOIL OR WASTE ABOVE FLOOR OR CEILING (S OR W) | COLD WATER (CW) |
| SOIL OR WASTE BELOW FLOOR (S OR W) | CIRCULATING HOT WATER (CHW) |
| VENT (V) | GAS (G) |
-
- | | |
|------------------------------------|------------------------------|
| AD AREA DRAIN | HLAV HANDICAPPED LAVATORY |
| AFF ABOVE FINISHED FLOOR | HW HOT WATER |
| AP ACCESS PANEL | HWC HANDICAPPED WATER CLOSET |
| ARV ACID RESISTANT VENT | HHW HOT WATER HEATER |
| ARW ACID RESISTANT WASTE | HUR HANDICAPPED URINAL |
| BFP BACK FLOW PREVENTOR | ICE MAKER |
| BTU BRITISH THERMAL UNIT | INV INVERT |
| BV BALL VALVE | KW KITCHEN WASTE |
| CHK.V CHECK VALVE | LAV LAVATORY |
| CI CAST IRON | MLH MILLION |
| CLG CEILING | MH MANHOLE |
| CO CLEANOUT | MS MOP SINK |
| CT COUNTER TOP | PRV PRESSURE REDUCING VALVE |
| CW COLD WATER | RD ROOF DRAIN |
| DD DECK DRAIN | RTU ROOF THERM UNIT |
| DN DOWN | RV RELIEF VALVE |
| EDF ELECTRIC DRINKING FOUNTAIN | SH SHOWER |
| ERD EQUIPMENT ROOM DRAIN | SINK |
| F FRESH AIR | S.W.V SERVICE SINK |
| FCV FLOW CONTROL VALVE | S.W.V SOL. WASTE & VENT |
| F.CO FLOOR CLEAN | T&P TEMPERATURE & PRESSURE |
| FD FLOOR DRAIN | TS TAMPER SWITCH |
| FFD FUNNEL FLOOR DRAIN | UR URINAL |
| FS FLOOR SINK | V VENT |
| FS FLOOR SWITCH | VTR VENT THRU ROOF |
| G.V GATE VALVE | W WASTE |
| GV GLOBE VALVE | W&V WASTE & VENT |
| H HOSE | WC WATER CLOSET |
| HD HOSE DRINK | WH WALL HYDRANT |
| HEDF HANDICAPPED DRINKING FOUNTAIN | WHA WATER HAMMER ARRESTOR |
| H&CW HOT & COLD WATER | YH YARD HYDRANT |
| | Y.CO YARD CLEANOUT |

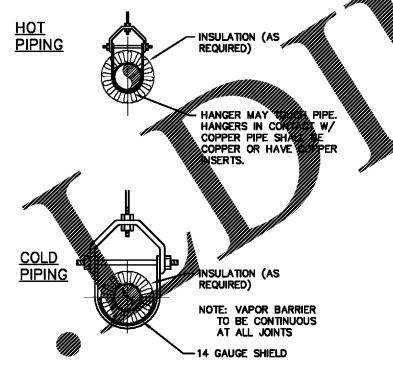


1 S. W&V RISER DIAGRAM NO SCALE

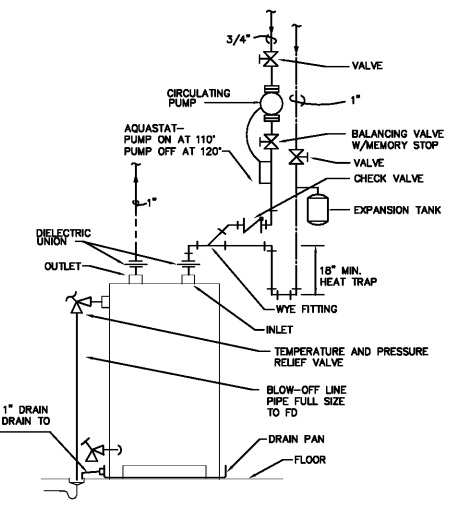
NOTE: COORDINATE WITH ARCHITECT WHICH SINKS ARE TO BE ADA. PROVIDE ADA OFFSET DRAINS AND TRAP GUARDS.



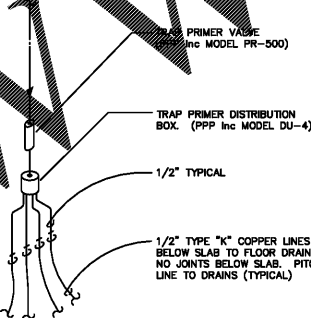
TRAP PRIMER PIPING DIAGRAM NO SCALE



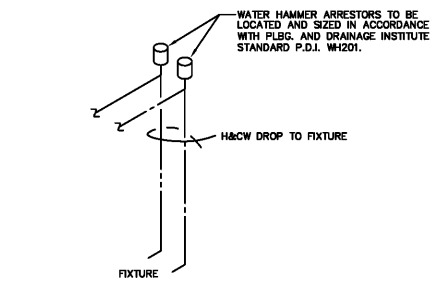
INSULATED PIPING PROTECTION DETAILS NO SCALE



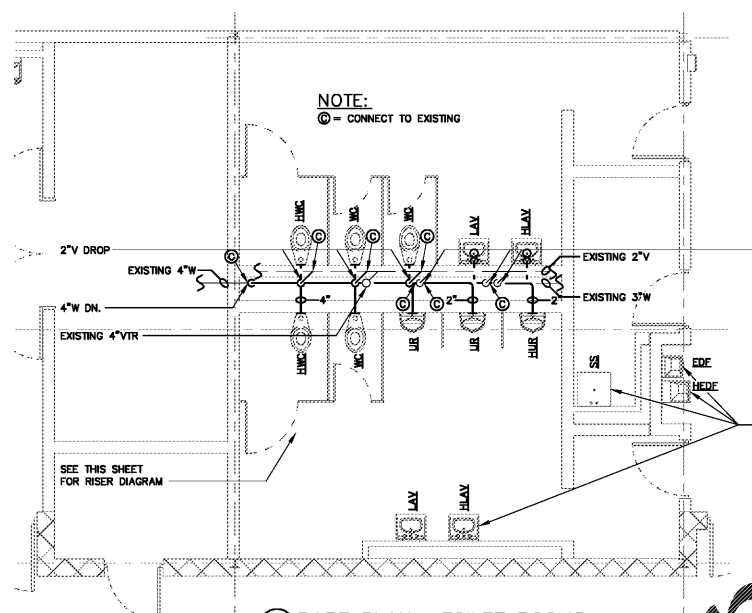
ELECTRIC WATER HEATER PIPING DIAGRAM NO SCALE



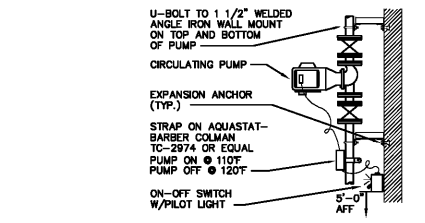
TRAP PRIMER PIPING DIAGRAM NO SCALE



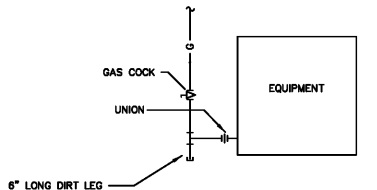
TYPICAL WATER PIPING DETAIL FOR SINGLE FIXTURE NO SCALE



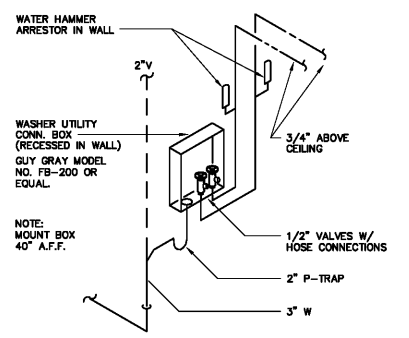
2 PART PLAN - TOILET ROOMS 1/4" = 1'-0"



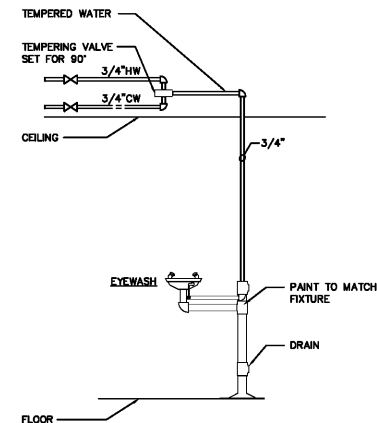
IN-LINE CIRCULATING PUMP WALL MOUNTING DETAIL NO SCALE



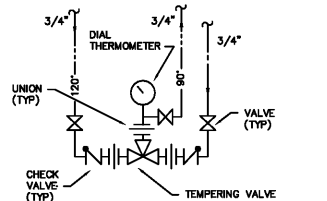
GAS CONNECTION TO EQUIPMENT SCALE: NONE



WASHER UTILITY CONN. BOX PIPING DIAGRAM NO SCALE



EMERGENCY EYEWASH DIAGRAM NO SCALE



TEMPERING VALVE PIPING DIAGRAM NO SCALE

3 S. W&V RISER DIAGRAM NO SCALE

Order Plans

WWW.DIYME.COM

BRAC
Bryan Associates
Mechanical, Electrical, Plumbing, Fire Protection, and Low Voltage

3055 Shiloh Road, Suite 200
Alpharetta, Georgia 30201
Tel: (770) 585-4538

PROFESSIONAL ENGINEER
MECHANICAL, ELECTRICAL, PLUMBING, FIRE PROTECTION, AND LOW VOLTAGE

BRAC
MECHANICAL
ELECTRICAL
PLUMBING
FIRE PROTECTION
AND LOW VOLTAGE

NO.	DESCRIPTION	DATE

PAULDING COLLEGE & CAREER ACADEMY
4555 DALLAS ACWORTH HWY
DALLAS, GA 30132
(FACILITY CODE: 710-3052)

PAULDING COUNTY SCHOOLS

PLUMBING SCHEDULE, LEGEND & DETAILS

DATE: 08/08/2018
PROJECT NO.: 17129

P0.1