

GENERAL NOTES		
NO.	REVISION	DATE

THE DRAWINGS AND SPECIFICATIONS DEPICTED HEREIN ARE THE EXCLUSIVE PROPERTY OF HOT TOPIC, INC. AND AS SUCH CANNOT BE REPRODUCED IN WHOLE OR PART WITHOUT OUR PRIOR WRITTEN CONSENT.

2016 BOX LUNCH

BOX LUNCH

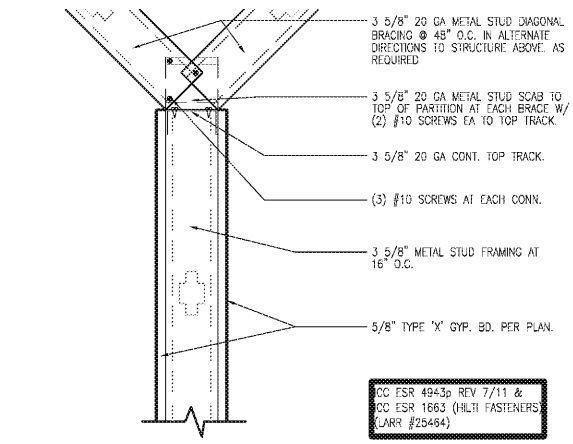
18305 E. SAN JOSE AVE.
CITY OF INDUSTRY, CA 91748
P.H. (626) 839-4681

CONSTRUCTION PLAN AND NOTES

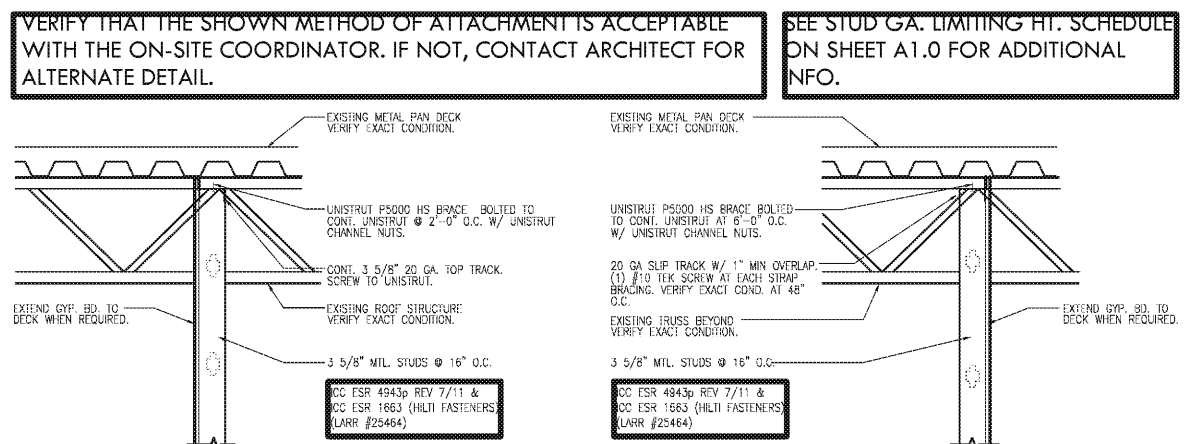
FLORENCE MALL
2028 FLORENCE MALL, SPACE #2064
FLORENCE, KY 41042

A7.0

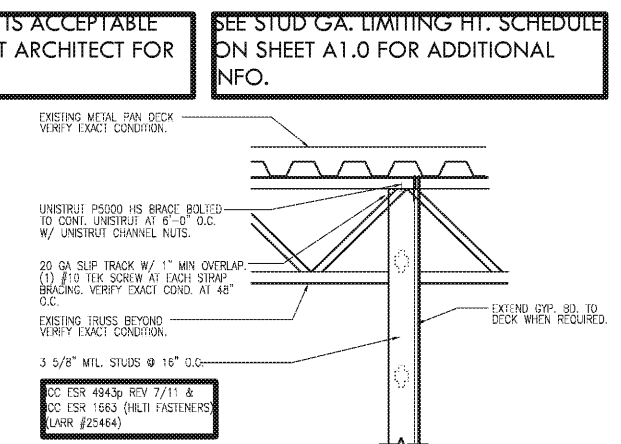
Project: BXL 4601
Drawn by: S.D.
Date: 8.27.18
Scale: AS-NOTED



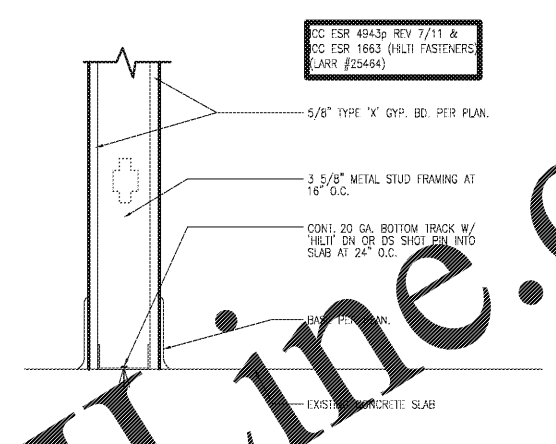
1 TYP. INTERIOR PARTITION AT TOP
SCALE: 1" = 1'-0"



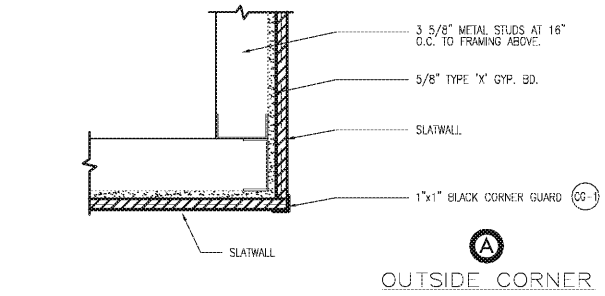
2 SOFFIT CONNECTION
SCALE: 1" = 1'-0"



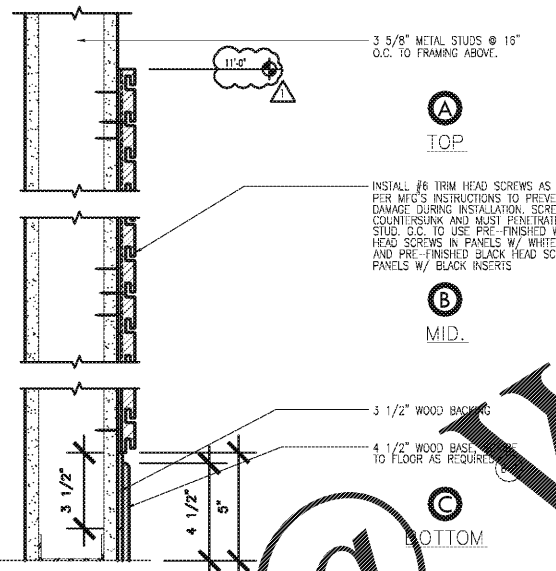
3 TOP OF FULL HEIGHT. INT. PARTITION
SCALE: 1" = 1'-0"



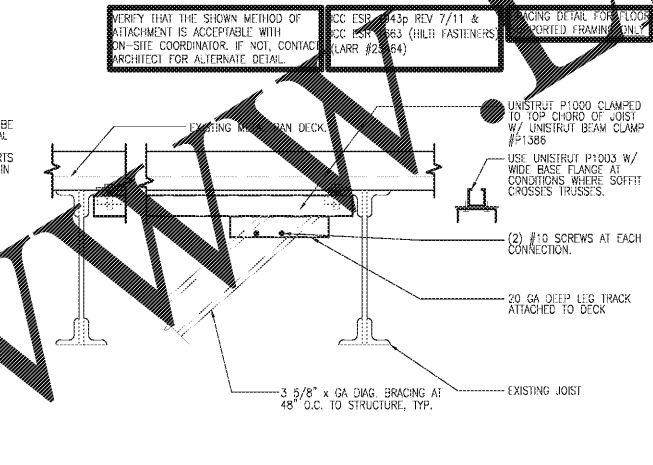
4 BOTTOM OF INTERIOR PARTITION
SCALE: 1/2" = 1'-0"



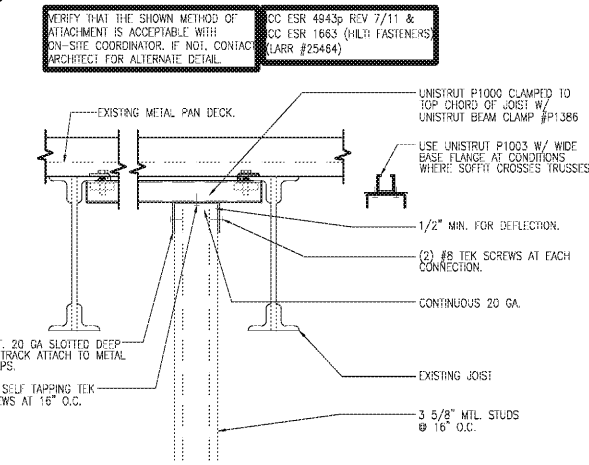
5 SLATWALL CORNER DETAILS
SCALE: 1 1/2" = 1'-0"



6 SLATWALL SEAM DETAIL
SCALE: 1 1/2" = 1'-0"



7 TYP. DIAG. BRACING CONN. TO DECK
SCALE: 1" = 1'-0"



8 TOP OF INT. WALL TO STRUCTURE
SCALE: 3" = 1'-0"

SLATWALL INSTALLATION INSTRUCTIONS:

DO NOT DAMAGE OR WASTE SLATWALL. SLATWALL WILL BE AT THE EXPENSE OF THE TENANT'S G.C. TENANT'S G.C. TO PROVIDE QUANTITY TAKEOFF AT BID AWARD.

G.C. TO OFF SET VERTICAL SEAMS IN SLATWALL BY 4'-0" @ INSTALL LOCATIONS OVER 8'-0" IN LENGTH.

APPROVED ADHESIVES:
"MARLITE" #C-375 CONSTRUCTION MASTIC
"MACO" LIQUID NAILS #LN501
"3M" CONSTRUCTION MASTIC

ADHESIVE APPLICATION:
ALWAYS APPLY SLATWALL ADHESIVE TO THE BACK OF THE PANEL. BE SURE THE EXIST. SURFACE IS CLEAN, DRY, FREE OF OIL, GREASE, DUST, OR OTHER CONTAMINANTS. SUCH AS DRYWALL OR PWD. EACH 5 GALLON CAN OF ADHESIVE WILL COVER 300 SQ FT. ADHESIVE IS NOT TO BE APPLIED TO THE FRONT OF THE PANEL. ADHESIVE IS FRESH (WITHIN 10 MINUTES). ADHESIVE ON BACK OF PANEL SHOULD BE REMOVED WITH MINERAL SPIRITS.

APPLY ADHESIVE TO THE ENTIRE BACK OF PLANK USING NOTCHED SPREADER. COVER ENTIRE BACK OF PLANK EXCEPT APPROX. 1" AT PROVIDED EDGES. USE THE NOTCHES IN THE SPREADER TO GET THE EXACT DEPTH OF ADHESIVE. DO NOT APPLY TOO HEAVY A COAT TO ASSURE PROPER RIDGES WHEN SPREADING. KEEP NOTCHES OF SPREADER IN PAIL OF WATER WHEN NOT IN USE.

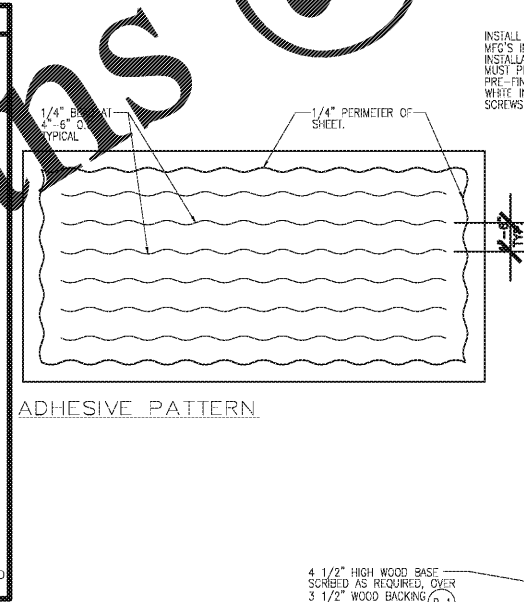
HINT: POURING A LAYER OF WATER ON TOP OF SLATWALL #C-375 IN THE PAIL KEEPS ADHESIVE FRESH. REDUCES SOLVENT ODOR, EXTENDS OPEN TIME AND AIDS IN CLEANING THE SPREADER.

COHESIVE TECHNIQUE:
FOR FASTER BONDING, USE #C-375 AND THE FOLLOWING COHESIVE TECHNIQUE TO ENSURE TROUBLE-FREE INSTALLATION.
-APPLY THIN COAT OF #C-375 ADHESIVE TO THE WALL USING NOTCHES OF THE SPREADER, AND ALLOW TO SKIN OVER (APPROXIMATELY 10-15 MINUTES).
-APPLY ADHESIVE TO PANEL BACK.
-APPLY PLANK TO WALL. PULL PLANK AWAY FROM WALL TO PULLING FROM THE WALL. THIS RELEASES THE ADHESIVE SOLVENTS AND ALLOWS THE ADHESIVE TO SET UP MORE COMPLETELY. PRESS THE PLANK FIRMLY TO THE WALL FROM TOP TO BOTTOM. CHECK TO SEE THAT IT IS PLUMB.

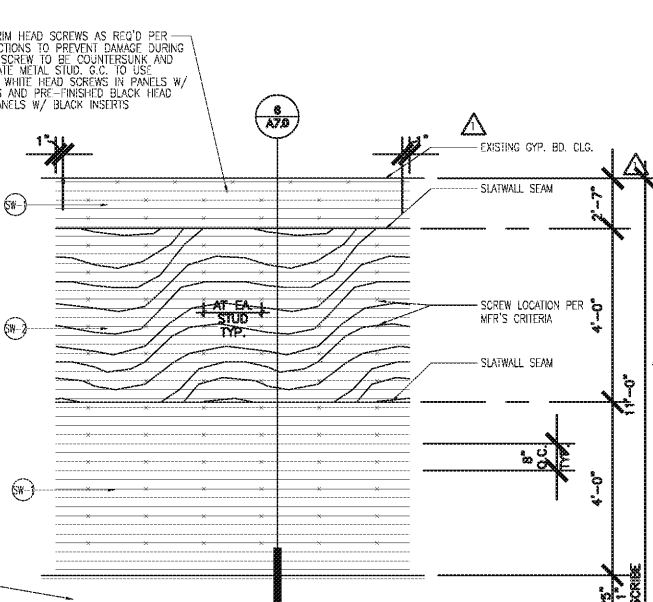
CARTRIDGE ADHESIVE:
IF USING CARTRIDGES, YOU MUST APPLY IN A SERPENTINE PATTERN. APPLY A 1/4" BEAD AROUND THE PERIMETER OF THE PANEL. APPLY ADHESIVE TO THE PANEL EVERY 4" TO 6". COVERAGE: 30 LINEAR FEET PER 10 OZ. CARTRIDGE. (2) TUBES PER EA SHEET.

PROVIDE SOME STIFFENING TO THE PANELS - INSTALLING DIRECTLY ONTO STUDS SHOULD BE FOR APPLICATIONS THAT DO NOT REQUIRE MAXIMUM LOAD CAPACITIES. PANEL ADHESIVE IS RECOMMENDED FOR MORE PERMANENT INSTALLATIONS. DRYWALL SCREWS OF THE PROPER LENGTH WORK BEST. DRIVE THE SCREWS THROUGH THE BACKS OF THE GROOVE (BE CAREFUL NOT TO DAMAGE THE GROOVE LIPS). FOR LEVEL CAPACITIES, SCREWS SHOULD BE DRIVEN THROUGH EVERY OTHER GROOVE (9 INCHES APART VERTICALLY) AND AT EACH STUD (RECOMMENDED AT 16" O.C.) CUTTING TO SIZE SHOULD BE DONE WITH THE BLADE ENTERING THE GROOVED SIDE OF THE PANEL. THIS WILL HELP AVOID "CHIP-OUT". FOLLOW THE MOUNTING INSTRUCTIONS SHOWN ON THE BACK OF THE PANELS.

9 TYPICAL SLATWALL ELEVATION
SCALE: 1/2" = 1'-0"



ADHESIVE PATTERN



TYPICAL SLATWALL ELEVATION

SLATWALL INSTALLATION NOTE:
THE OWNER SUPPLIED SLATWALL CAN ONLY BE INSTALLED IN ONE DIRECTION. FAILURE TO FOLLOW THE INSTALLATION DETAILS WILL RESULT IN THE GC BEING RESPONSIBLE FOR THE COMPLETE REMOVAL AND REPLACEMENT OF ALL SLATWALL INCORRECTLY INSTALLED, INCLUDING ANY NECESSARY WALL REPAIR AND PAINT. TIME EXTENSIONS WILL NOT BE GIVEN FOR INCORRECTLY INSTALLED SLATWALL.

WWW.A7ONLINE.COM