

LOCATION
WINDWOOD HOLLOW PARK
RESTROOM ADDITION
4865 LAKESIDE DRIVE
DUNWOODY, GA 30360

SHEET TITLE
PLUMBING LEGEND & DETAILS

DRAWN: WDG
CHECKED: BGD
SCALE: AS NOTED
DATE PRINTED: 3/23/2018

REV. DATE REMARKS
1 05/14/18 PLAN REVIEW
2 07/17/18 BLDG PLAN REVIEW

SHEET NUMBER
P0.1

OF SHEETS

GENERAL NOTES:

1. PLUMBING CONTRACTOR SHALL FIELD COORDINATE WITH ELECTRICAL CONTRACTOR FOR ALL POWER REQUIREMENTS.
2. CONTRACTOR SHALL BE RESPONSIBLE FOR FIELD VERIFICATION OF ALL EXISTING CONDITIONS PRIOR TO SUBMITTING THEIR BID. NO ADDITIONAL COMPENSATION WILL BE MADE FOR ANY EXTRAS DUE TO CONTRACTOR'S FAILURE TO VISIT THE JOBSITE AND/OR PREDETERMINE. ANY DISCREPANCIES SHALL BE IMMEDIATELY REPORTED TO THE ENGINEER FOR RESOLUTION.
3. CONTRACTOR TO VERIFY LOCATIONS OF ALL UTILITIES ON SITE.
4. CONTRACTOR IS TO PROVIDE COMPLETE CONNECTIONS TO OWNER FURNISHED EQUIPMENT.
5. CONTRACTOR TO COORDINATE THE LOCATION OF ALL CEILING DEVICES WITH REFLECTED CEILING PLAN AND STRUCTURE PRIOR TO BEGINNING WORK.
6. PLUMBING DRAWINGS ARE DIAGRAMMATIC AND DO NOT NECESSARILY INDICATE EVERY REQUIRED OFFSET, FITTING, ETC. DRAWINGS ARE NOT TO BE SCALED FOR DIMENSIONS. TAKE ALL DIMENSIONS FROM ARCHITECTURAL DRAWINGS, CERTIFIED EQUIPMENT DRAWINGS AND FROM THE STRUCTURE ITSELF BEFORE FABRICATING ANY WORK. VERIFY ALL SPACE REQUIREMENTS COORDINATING WITH OTHER TRADES, AND INSTALL THE SYSTEMS IN THE SPACE PROVIDED WITHOUT EXTRA CHARGES TO THE OWNER.
7. THE OWNER AND ENGINEER ARE NOT RESPONSIBLE FOR THE CONTRACTOR'S SAFETY PRECAUTIONS OR TO MEANS, METHODS, TECHNIQUES, CONSTRUCTION SEQUENCES, OR PROCEDURES REQUIRED TO PERFORM HIS WORK.
8. ALL WORK SHALL BE INSTALLED IN ACCORDANCE WITH ALL APPLICABLE STATE CODES, LOCAL CODES AND OWNER'S STANDARDS INDICATED BY THE CONSTRUCTION DOCUMENTS.

PLUMBING LEGEND

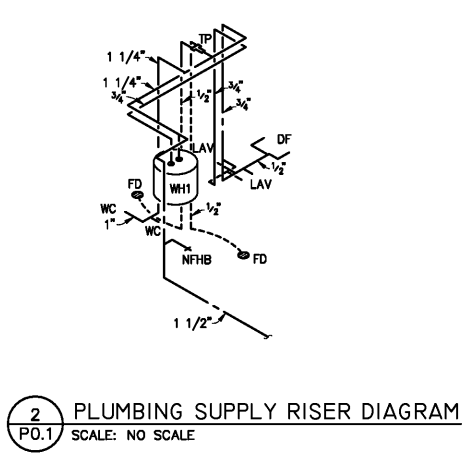
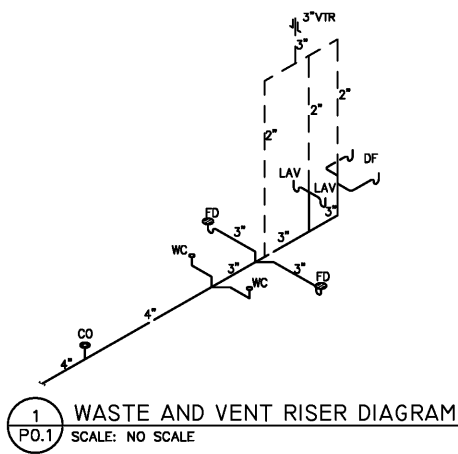
— — GATE VALVE	— CW — COLD WATER
— — PLUG OR BALANCING VALVE	— HW — HOT WATER
— — SAFETY RELIEF VALVE	— HWC — HOT WATER CIRCULATING
— — BALL VALVE	— CA — COMPRESSED AIR
— — PRESSURE REDUCING VALVE	— VAC — VACUUM
— — TEMPERATURE CONTROL VALVE, 2-WAY	— FCW — FILTERED COLD WATER
— — PIPE CAP	— G — GAS
— — (CO) PIPE CLEANOUT	— V — PLUMBING VENT PIPE
— — (WCO) WALL CLEANOUT	— W — WASTE PIPE
— — (FCO) FLOOR CLEANOUT	— D — DRAIN
— — FLOOR DRAIN WITH TRAP PRIMER	—●— POINT OF PIPE CONNECTION NEW TO EXISTING

ABBREVIATIONS

A/C ABOVE CEILING	COND. CONDENSATE
A/F ABOVE FINISH FLOOR	CW COLD WATER
AD AREA DRAIN	DRN DRAIN
B/F BELOW FLOOR	NATURAL GAS
B/G BELOW GRADE	SN SANITARY DRAINAGE PIPE
B/S BELOW SLAB	GV GATE VALVE
BY BALANCING VALVE	VS VENT STACK

PLUMBING SPECIFICATIONS:

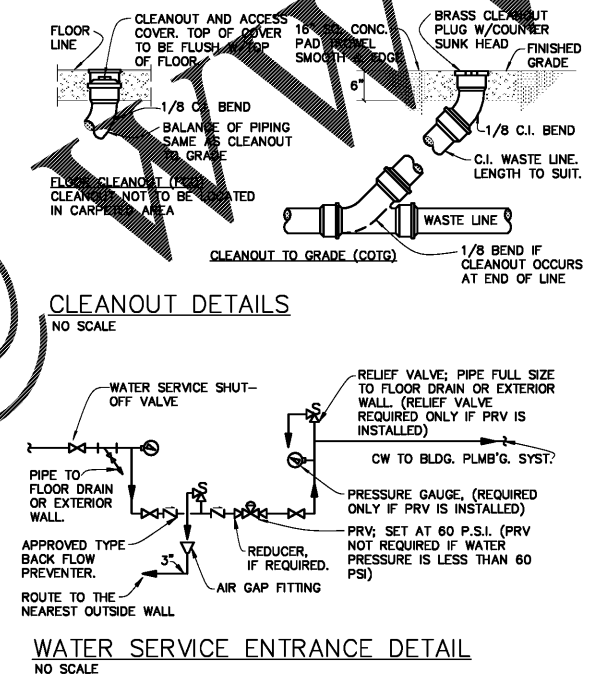
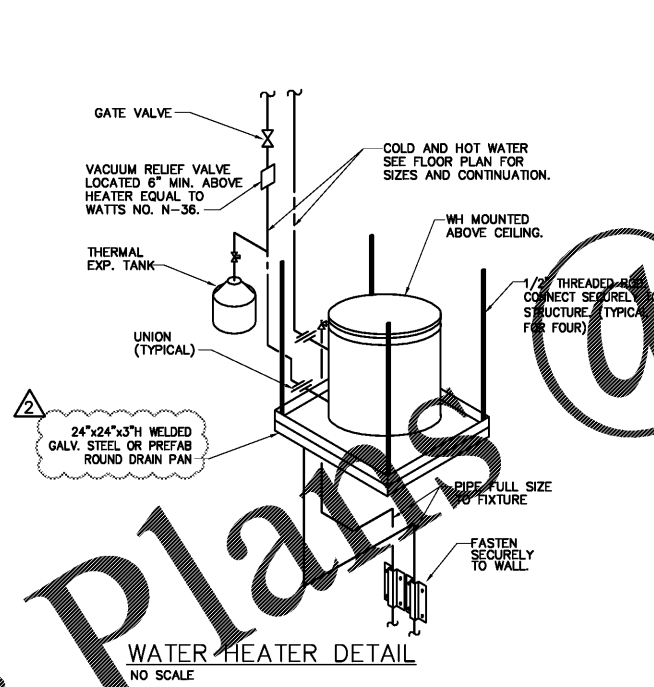
- 1.01 WATER PIPING**
A. PIPING (INSIDE BUILDING)
1. NON-BURIED LINES: TYPE "L" COPPER WATER TUBE, WROUGHT COPPER FITTINGS AND 98-4 (TIN/SILVER) OR CANFIELD 100% WATERSAFE (SILVER-TIN COPPER) SOLDER.
- VALVES AND SPECIALTIES**
GATE VALVES: BRONZE, CLASS 125, 200 LB. W.O.G.
BALL VALVES: BRONZE, FULL PORT, 400 LB. W.O.G.
GLOBE VALVES: BRONZE, CLASS 125, 200 LB. W.O.G.
CHECK VALVES: BRONZE, CLASS 125, 200 LB. W.O.G.
ELECTRIC UNIONS: FURNISH AND INSTALL A DIELECTRIC UNION AT ALL CONNECTIONS WHERE FERROUS MATERIAL IS CONNECTED TO NON-FERROUS MATERIAL.
STRAINERS: 250 LB. SEMI-STEEL OR CAST IRON "Y" TYPE W/STAINLESS STEEL SCREEN.
PRESSURE TEMP. TAPS: UNIVERSAL CONTROLS CORPORATION #45-PT-N.SISCO BNO-500 1/2 NPT, NORDEL CORE.
- 1.02 WASTE AND VENT PIPING**
A. MATERIALS; WASTE AND VENT PIPING (INSIDE BUILDING)
1. WASTE LINES ABOVE GROUND; STD. WT., C.I. SOIL PIPE AND FITTINGS OR HUBLESS, C.I. SOIL PIPE AND FITTINGS. UP THRU 2-1/2" MAY BE STD. WTG., GALV. STEEL PIPE W/BLACK, C.I. DRAINAGE FITTINGS.
2. VENT LINES ABOVE GROUND; STD. WT., C.I. SOIL PIPE AND FITTINGS, HUBLESS C.I. SOIL PIPE AND FITTING OR, STD. WT., GALV. STEEL PIPE W/150 LB., GALV. MALL. IRON FITTINGS FOR LINES 1-1/2" AND OVER, FOR LINES 1-1/4" AND LESS, BLACK, C.I. 125 LB. SWP FITTINGS.
3. ALL WASTE AND VENT PIPING ABOVE GRADE MAY BE DWV COPPER PIPE AND FITTINGS USING SOLDER SPECIFIED ABOVE FOR WATER PIPING.
4. WASTE AND VENT PIPING MAY BE PVC DWV PIPE WITH SOLVENT WELD DWV FITTINGS IF ACCEPTABLE TO THE PLUMBING INSPECTION AUTHORITY. PROVIDE WRITTEN CONFIRMATION OF LOCAL AUTHORITY ACCEPTANCE PRIOR TO INSTALLING NEW WORK. PVC PIPING INSTALLATION SHALL BE PERFORMED IN STRICT CONFORMANCE WITH THE MANUFACTURER'S REQUIREMENTS FOR COUPLING PREPARATION AND INSTALLATION CONDITIONS.
- 1.03 FIXTURES AND EQUIPMENT**
A. FIXTURES
1. INSTALL FIXTURES AND/OR ROUGH-IN ACCORDING TO THE SPECIFICATIONS.
2. SECURE FIXTURES TO WALLS AND FLOOR OR COUNTERTOPS IN ACCORDANCE WITH MANUFACTURER'S ROUGHING-IN AND SETTING REQUIREMENTS AND FORM A RIGID INSTALLATION.
3. ALL PIPE AT THE FIXTURES WHICH MAY BE EXPOSED TO VIEW SHALL BE BRASS CHROME FINISH, FINISHED WITH CHROME ESCUTCHEONS WHERE THEY PROJECT FROM WALLS AND FLOORS.
4. STOP VALVES SHALL BE FURNISHED AND INSTALLED AT ALL FIXTURES, FOR ALL EQUIPMENT AND AT ROUGH-IN LOCATIONS.
- 1.04 SPECIALTY SCHEDULE**
A. DIELECTRIC UNIONS OR COUPLINGS AND FLANGES
1. DIELECTRIC UNION RATED FOR 250 PSI WITH GALVANIZED OR PLATED STEEL THREADED END, COPPER SOLDER END AND IMPERVIOUS ISOLATION GASKET APPROVED FOR USE ON GAS LINES. COUPLINGS APPROVED FOR USE ON GAS LINES AND ABLE TO WITHSTAND HYDROSTATIC TEST PRESSURES OF 1000 PSI AT 250°F WITH AN INERT, NONCONDUCTIVE LAMINATE MATERIAL AND THREADED TO NPS STANDARDS. FLANGES TO BE COMPLETE WITH INSULATED BOLT SHEAVES, WASHERS AND GASKETS.



FIXTURE UNIT SCHEDULE

FIXTURE TYPE	MINIMUM CONNECTION SIZE			REMARKS	NOTES
	CW	HW	W		
WATER CLOSET (ADA)	1"	-	4"	18" SEAT HEIGHT	1
LAVATORY (ADA)	1/2"	1/2"	1-1/4"		1, 2, 3
DRINKING FOUNTAIN	1/2"	-	1-1/4"		1, 2, 3

NOTES:
1. ALL MATERIALS AND INSTALLATION SHALL BE IN ACCORDANCE WITH AIA REQUIREMENTS.
2. SEE ARCHITECTURAL DRAWINGS FOR HEIGHT OF COUNTERTOP.
3. MAXIMUM HOT WATER SUPPLY TEMP. = 110°F.



WATER HEATER SCHEDULE

TAG	MAKE	MODEL	TYPE	CAPACITY (GALLONS)	MIN. RECOVERY (GPH@100°F)	ELECTRICAL DATA			DIMENSIONS		NOTES
						VOLT.	PH.	KW	DIA.	HEIGHT	
WH1	A.O. SMITH	DEL-10	ELECTRIC	10	12	240	1	3	18"	18.25"	1, 2, 3

1. A.O. SMITH OR APPROVED EQUAL.
2. ELECTRICAL CHARACTERISTICS TO BE COORDINATED WITH ELECTRICAL CONTRACTOR PRIOR TO ORDERING.
3. HOT WATER THERMOSTAT SETPOINT @ 105°F.

Order Plans