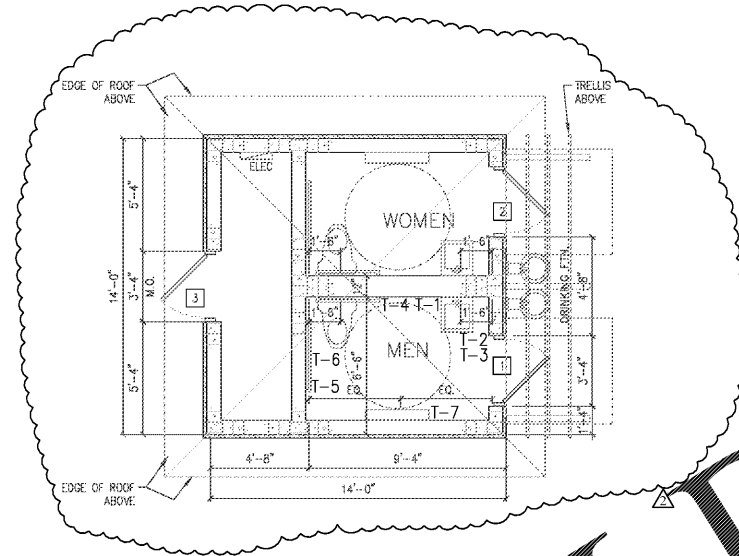
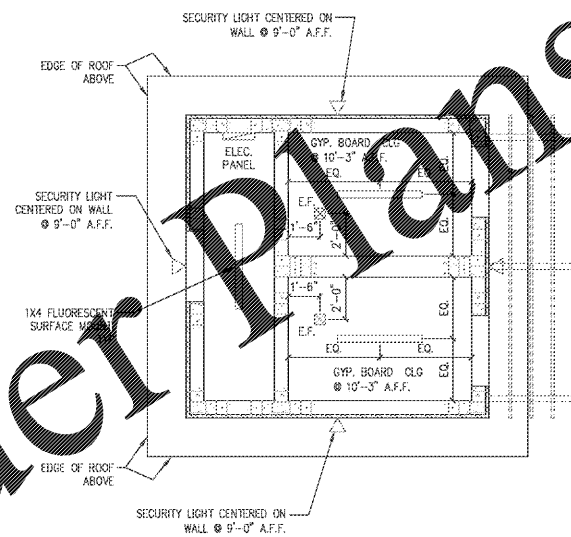


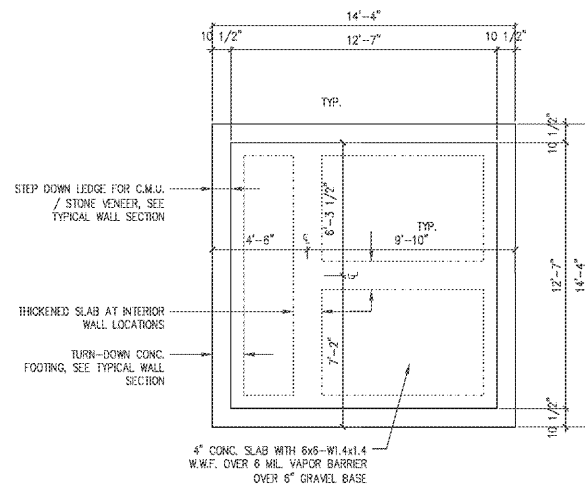
1 RESTROOM ROOF PLAN
A1.1 1/4" = 1'-0"



2 RESTROOM FLOOR PLAN
A1.1 1/4" = 1'-0"



3 RESTROOM REFLECTED CEILING PLAN
A1.1 1/4" = 1'-0"



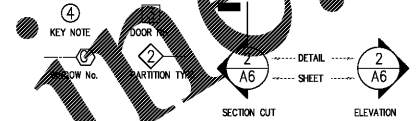
4 RESTROOM SLAB PLAN
A1.1 1/4" = 1'-0"

DOOR SCHEDULE

No.	SIZE	TYPE	FRAME	HARDWARE
1	3'-0" x 7'-0"	MEN'S TOILET	H.M.	H.M.
2	3'-0" x 7'-0"	WOMEN'S TOILET	H.M.	H.M.
3	3'-0" x 7'-0"	STOR. / UTIL.	H.M.	H.M.

ALL HARDWARE SETS SHALL BE ADA COMPLIANT. REFER TO A4.2 FOR SPECIFICATIONS.

SYMBOLS



PARTITION TYPES

- EXTERIOR WALL: REINFORCED 8" C.M.U. WALL WITH APPLIED STONE VENEER, (PAINT INTERIOR), SEE WALL SECTION (1/A3.1)
- INTERIOR WALL: REINFORCED 8" C.M.U. WALL (PAINT INTERIOR), SEE DETAIL (3/A3.1)
- PIER: REINFORCED 16" SQUARE 8" C.M.U. PIER WITH APPLIED TAPERED STONE VENEER (2" TOTAL TAPER), SEE DETAIL (4/A3.1)

CEILING LEGEND

- SURFACE MOUNTED SINGLE BULB 4' FLUORESCENT LIGHT FIXTURE
- WALL MOUNTED SECURITY LIGHT (ALL CONNECTED TO DAYLIGHT SENSOR CONTROL)
- RECESSED EXTERIOR CAN LIGHT (ALL CONNECTED TO DAYLIGHT SENSOR CONTROL)
- GYPSUM BOARD CEILING APPLIED TO UNDERSIDE OF ROOF TRUSSES
- BOARD & BATTEN CEILING APPLIED TO UNDERSIDE OF ROOF TRUSSES

TOILET FIXTURES

- P-1a WALL HUNG SINK (ACCESSIBLE)
- P-2a FLOOR MOUNTED FLUSH VALVE WATER CLOSET (ACCESSIBLE)

TOILET ACCESSORIES

- T-1 WALL MOUNTED FRAMED MIRROR (24" X 36")
- T-2 WALL MOUNTED LIQUID SOAP DISPENSER
- T-3 WALL MOUNTED PAPER TOWEL DISPENSER
- T-4 WALL / PARTITION MOUNTED GRAB BAR (36")
- T-5 WALL / PARTITION MOUNTED GRAB BAR (42")
- T-6 WALL / PARTITION MOUNTED TOILET PAPER DISPENSER
- T-7 WALL MOUNTED BABY CHANGING STATION

PLAN NOTES

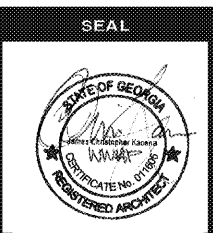
- PROVIDE AND INSTALL SLIP RESISTANT TRAFFIC COATING AT ALL FLOORS
- CITY TO PROVIDE DEADBOLT CYLINDERS FOR DOOR HARDWARE
- PROVIDE CONCRETE SPLASH BLOCK AT EACH DOWNSPOUT LOCATION.
- REFER TO SPECIFICATIONS FOR ADDITIONAL DETAILS.
- SEE CIVIL DRAWINGS FOR SITE IMPROVEMENTS.

WWW.LDILINE.COM

Order Plans

CHRIS KACENA AIA

2946 BUCKLE UP COURT
DUNWOODY, GA 30338
Phone: 404.853.3878
Email: chris@ldilines.com



LOCATION

WINDWOOD HOLLOW PARK
RESTROOM ADDITION
4865 LAKESIDE DRIVE
DUNWOODY, GA 30360

SHEET TITLE		
PLANS		
DRAWN:		
CHECKED:		
SCALE:		
DATE PRINTED		
3/28/2018		
REV.	DATE	REMARKS
2	07/18/18	PERMIT COMMENTS
SHEET NUMBER		
A1.1		
OF	SHEETS	