

CLEAR WIDTH OF DOORWAYS
Fig. 404.2.3

CLEAR FLOOR SPACE NOTES:
1. DOORS SHALL BE PERMITTED TO SWING INTO TURNING SPACES (304.4)
2. ONE FULL UNOBSTRUCTED SIDE OF THE CLEAR FLOOR SPACE MUST ADJOIN AN ACCESSIBLE ROUTE OR ANOTHER CLEAR FLOOR SPACE (305.8)
3. A CLEAR FLOOR SPACE IS REQUIRED AT ANY DEVICE WITH AN OPERABLE PART (305.2)

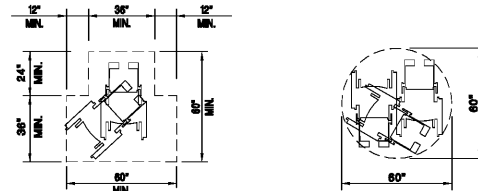
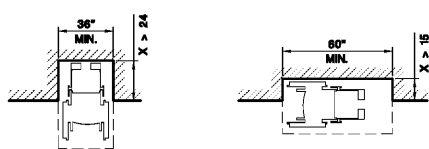


Fig. 304.3.2 T-SHAPED SPACE
Ref. 304.3.1 CIRCULAR SPACE
TURNING SPACE
Ref. Section 304



CLEAR FLOOR SPACE IN ALCOVES

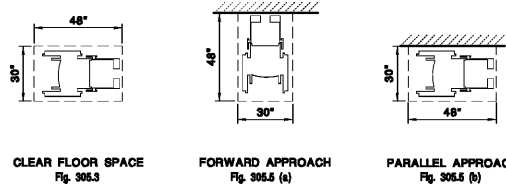
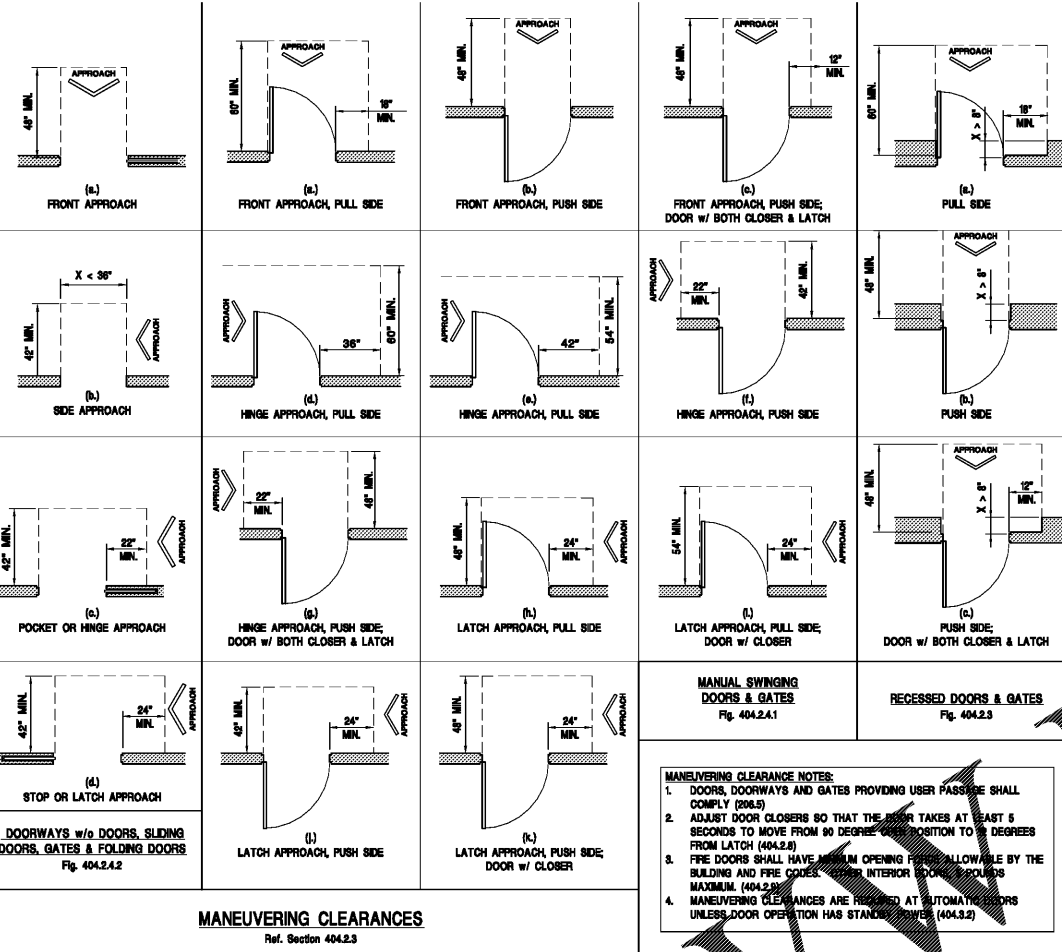


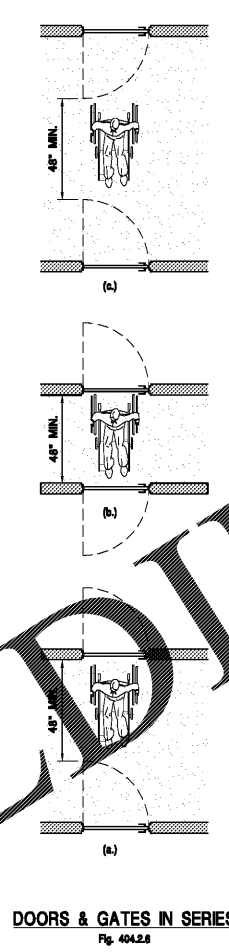
Fig. 305.7.1
Fig. 305.7.2
Fig. 305.3
Fig. 305.5 (a)
Fig. 305.5 (b)

MINIMUM CLEAR FLOOR SPACE
Ref. Sections 304 & 305

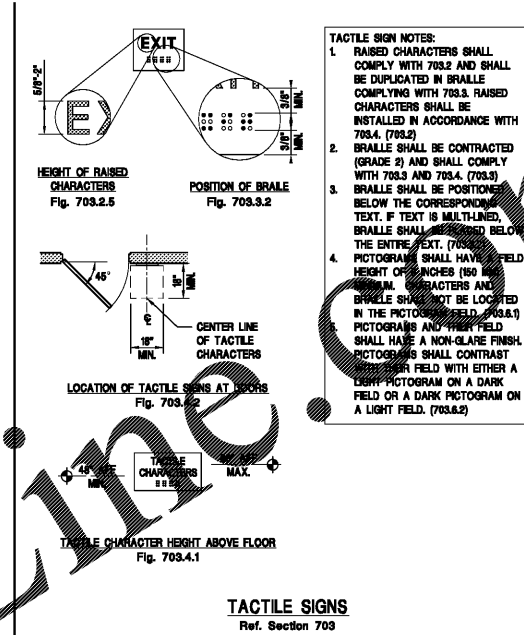


MANEUVERING CLEARANCES
Ref. Section 404.2.3

MANEUVERING CLEARANCE NOTES:
1. DOORS, DOORWAYS AND GATES PROVIDING USER PASSAGE SHALL COMPLY (208.5)
2. ADJUST DOOR CLOSERS SO THAT THE DOOR TAKES AT LEAST 5 SECONDS TO MOVE FROM 90 DEGREE POSITION TO 15 DEGREES FROM LATCH (404.2.8)
3. FIRE DOORS SHALL HAVE MINIMUM OPENING PERMISSIBLE BY THE BUILDING AND FIRE CODES (404.2.9)
4. MANEUVERING CLEARANCES ARE REQUIRED AT AUTOMATIC DOORS UNLESS DOOR OPERATION HAS STANDARDS (404.3.2)



DOORS & GATES IN SERIES
Fig. 404.2.8



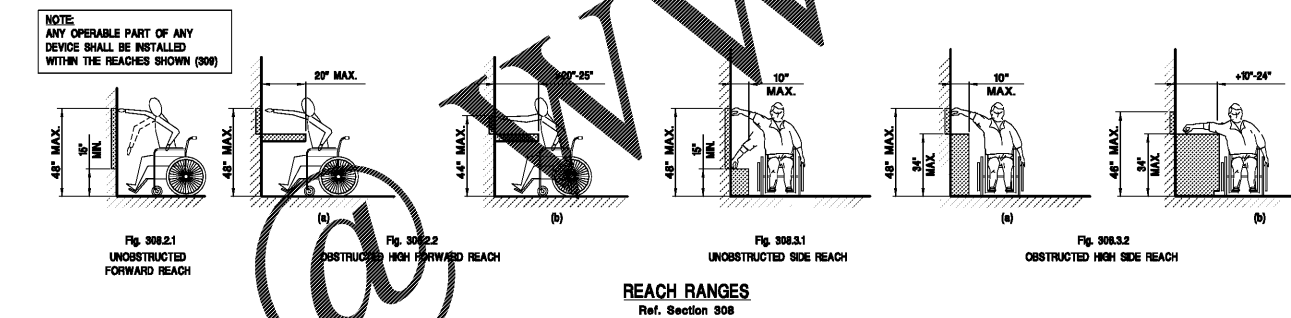
TACTILE SIGN NOTES:
1. RAISED CHARACTERS SHALL COMPLY WITH 703.2 AND SHALL BE DUPLICATED IN BRILLE COMPLYING WITH 703.3. RAISED CHARACTERS SHALL BE INSTALLED IN ACCORDANCE WITH 703.4 (703.2)
2. BRILLE SHALL BE CONTRACTED (GRADE 2) AND SHALL COMPLY WITH 703.5 AND 703.6 (703.5)
3. BRILLE SHALL BE POSITIONED BELOW THE CORRESPONDING TEXT. IF TEXT IS MULTILINE, BRILLE SHALL BE POSITIONED BELOW THE ENTIRE TEXT (703.6)
4. PICTOGRAMS SHALL HAVE A FIELD HEIGHT OF 18 INCHES (457 MM). CHARACTERS AND BRILLE SHALL NOT BE LOCATED IN THE PICTOGRAM FIELD (703.6.1)
5. PICTOGRAMS AND BRILLE SHALL HAVE A NON-GLARE FINISH. PICTOGRAMS SHALL CONTRAST WITH EITHER A DARK PICTOGRAM ON A LIGHT FIELD (703.6.2) OR A LIGHT PICTOGRAM ON A DARK FIELD (703.6.2)

TACTILE SIGNS
Ref. Section 703



**2010 ADA STANDARDS
ACCESSIBLE GUIDELINES**

THIS DRAWING IS A REPRESENTATIVE SUMMARY OF THE REQUIREMENTS OF THE 2010 ADA STANDARDS THAT MAY BE APPLICABLE TO THE PROJECT. WHERE SPECIFIC DIMENSIONAL INFORMATION AND CLEARANCES ARE NOT NOTED ON THE DRAWINGS, CONSTRUCT TO THE CLEARANCES AND TOLERANCES DEPICTED ON ACCESSIBLE GUIDELINES SHEETS. WHERE DRAWINGS SPECIFICALLY INDICATE DIFFERENT OR CONFLICTING INFORMATION WITH THE STANDARDS, CONSTRUCT USING THE MORE STRINGENT REQUIREMENT OR CONTACT THE ARCHITECT FOR RESOLUTION.



NOTE:
ANY OPERABLE PART OF ANY DEVICE SHALL BE INSTALLED WITHIN THE REACHES SHOWN (309)

Fig. 308.2.1
UNOBSTRUCTED FORWARD REACH

Fig. 308.2.2
UNOBSTRUCTED HIGH FORWARD REACH

Fig. 308.3.1
UNOBSTRUCTED SIDE REACH

Fig. 308.3.2
OBSTRUCTED HIGH SIDE REACH

REACH RANGES
Ref. Section 308

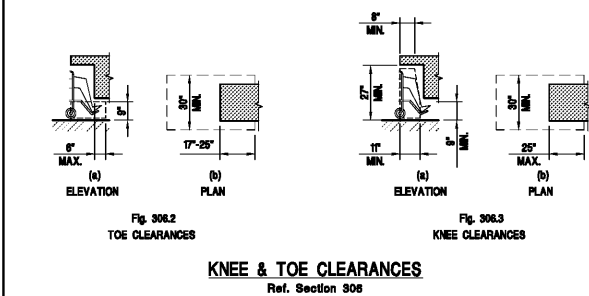
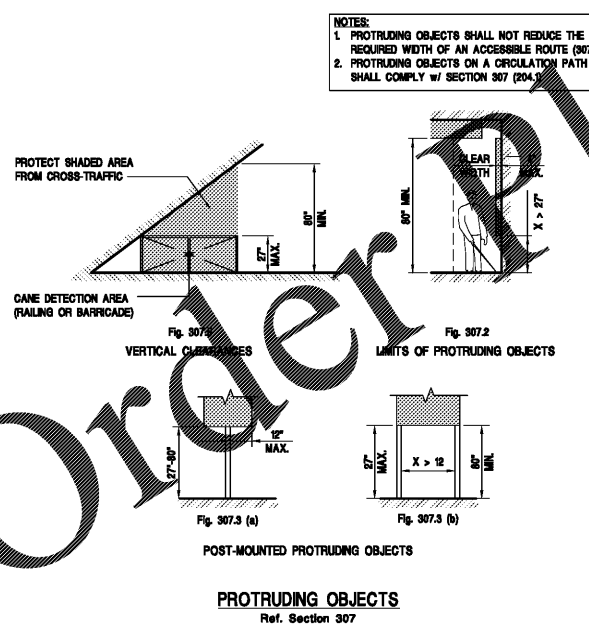


Fig. 306.2
TOE CLEARANCES

Fig. 306.3
KNEE CLEARANCES

KNEE & TOE CLEARANCES
Ref. Section 306



NOTES:
1. PROTRUDING OBJECTS SHALL NOT REDUCE THE REQUIRED WIDTH OF AN ACCESSIBLE ROUTE (307.5)
2. PROTRUDING OBJECTS ON A CIRCULATION PATH SHALL COMPLY WITH SECTION 307 (304.3)

Fig. 307.3 (a)
Fig. 307.3 (b)

PROTRUDING OBJECTS
Ref. Section 307

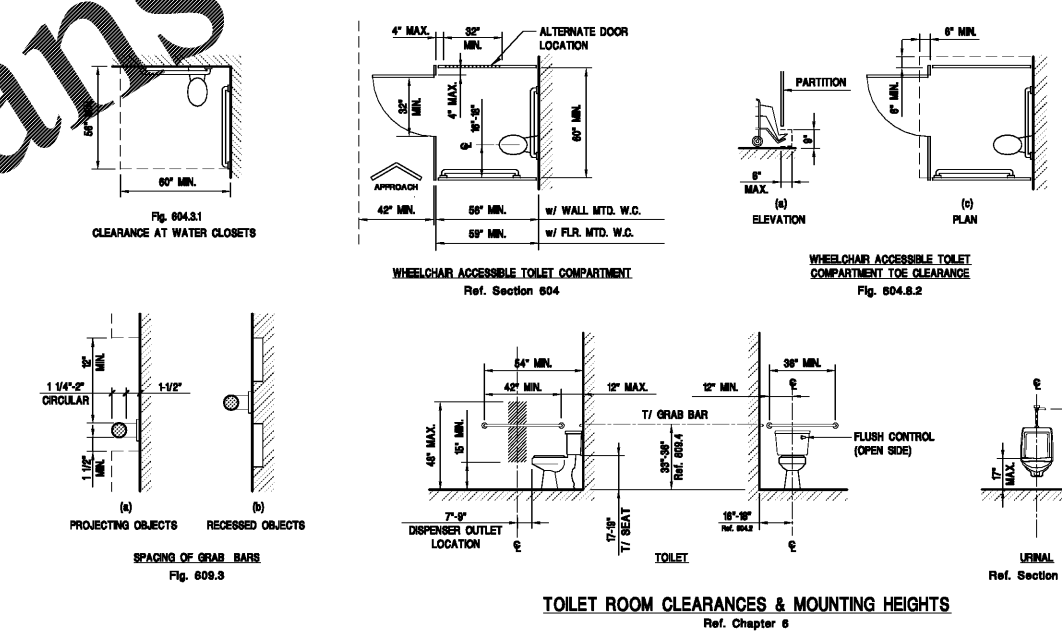


Fig. 604.3.1
CLEARANCE AT WATER CLOSETS

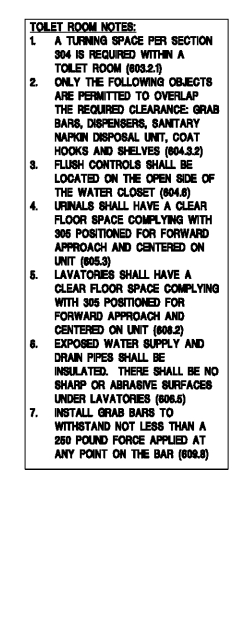
Ref. Section 604
WHEELCHAIR ACCESSIBLE TOILET COMPARTMENT

Fig. 604.8.2
WHEELCHAIR ACCESSIBLE TOILET COMPARTMENT TOILET CLEARANCE

Fig. 604.8.2
AMBULATORY ACCESSIBLE TOILET COMPARTMENT

Fig. 609.3
SPACING OF GRAB BARS

TOILET ROOM CLEARANCES & MOUNTING HEIGHTS
Ref. Chapter 6



DRINKING FOUNTAIN NOTES:
1. KNEE & TOE CLEARANCE COMPLYING WITH 306 SHALL BE PROVIDED (302.2)
2. WHERE A DRINKING FOUNTAIN IS REQUIRED, TWO SHALL BE PROVIDED; ONE HIGH & ONE LOW (211.2)
3. UNITS SHALL HAVE A CLEAR FLOOR SPACE COMPLYING WITH 305 POSITIONED FOR FORWARD APPROACH AND CENTERED ON UNIT (302.2)
4. A TURNING SPACE PER SECTION 304 IS REQUIRED WITHIN A TOILET ROOM (303.2.1)
5. ONLY THE FOLLOWING OBJECTS ARE PERMITTED TO OVERLAP THE REQUIRED CLEARANCE: GRAB BARS, DISPENSERS, SANITARY NAPKIN DISPOSAL UNIT, COAT HOOKS AND SHELVES (304.3.2)
6. FLUSH CONTROLS SHALL BE LOCATED ON THE OPEN SIDE OF THE WATER CLOSET (304.8)
7. URINALS SHALL HAVE A CLEAR FLOOR SPACE COMPLYING WITH 305 POSITIONED FOR FORWARD APPROACH AND CENTERED ON UNIT (303.2)
8. LAVATORIES SHALL HAVE A CLEAR FLOOR SPACE COMPLYING WITH 305 POSITIONED FOR FORWARD APPROACH AND CENTERED ON UNIT (303.2)
9. EXPOSED WATER SUPPLY AND DRAIN PIPES SHALL BE INSULATED. THERE SHALL BE NO SHARP OR ABRASIVE SURFACES UNDER LAVATORIES (306.6)
10. INSTALL GRAB BARS TO WITHSTAND NOT LESS THAN A 250 POUND FORCE APPLIED AT ANY POINT ON THE BAR (308.5)

Fig. 602.5
DRINKING FOUNTAIN SPOUT LOCATION

Fig. 602.7
Fig. 602.4
DRINKING FOUNTAIN OUTLET HEIGHTS

DRINKING FOUNTAIN
Ref. Section 602

Order Plans
 PLAN LS Frankfort, Ky
 2010 ADA STANDARDS
 Green Hydrophobic Tiles