

MORPHE

#029

THE FLORIDA MAL

8000 SOUTH ORANGE
BLOSSOM TRAIL
SUITE #410B
ORLANDO, FL 32809

34 S Main St
Allentown, New Jersey 08501
Phone: (609) 681-5511

ASHUTOSH PATEL
PROFESSIONAL ENGINEER
FL LIC. NO. 68725

lga PARTNERS
1402 Forbes Ave., Suite 400 Pittsburgh, PA 15217
P412.263.3000 F412.226.4767

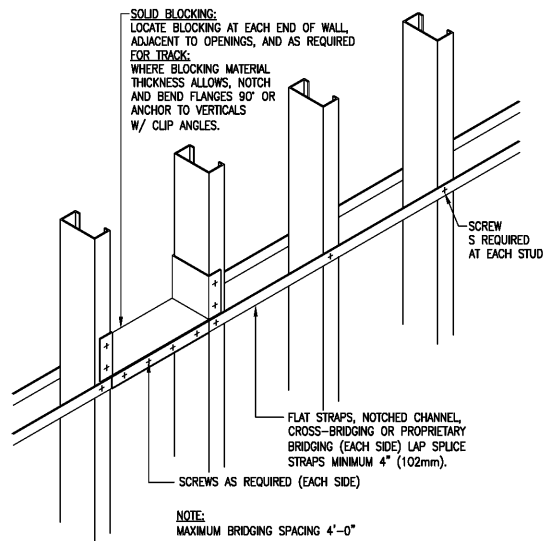
These drawings are instruments of the Architect's service and are the property of LGA Partners LP. They shall not be reproduced or used in any way, whatsoever, without the written permission of LGA Partners LP. © 2018

NO.	DATE	DESCRIPTION
-----	------	-------------

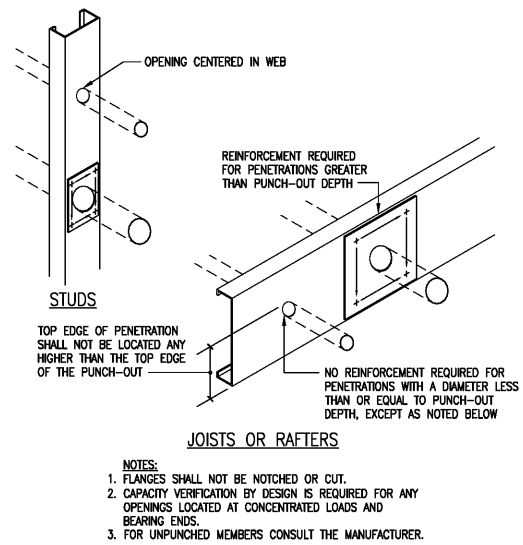
DATE:	08/30/2018
DRAWN BY:	MPP
PROJECT NO.:	18-0294
FILE NAME:	

TYPICAL DETAILS

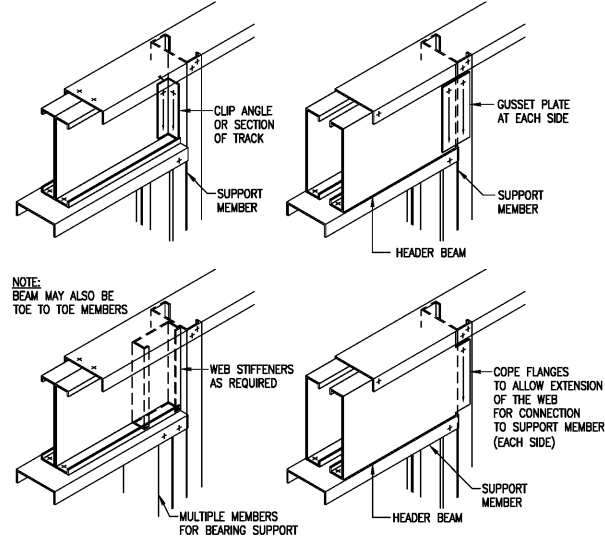
S.201



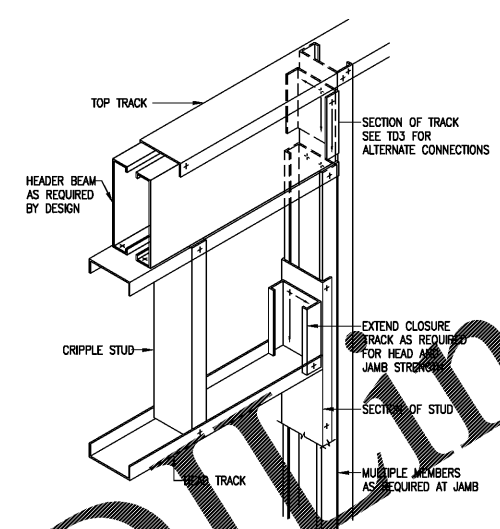
TD1
S.201
TYPICAL DETAIL
WALL BRIDGING



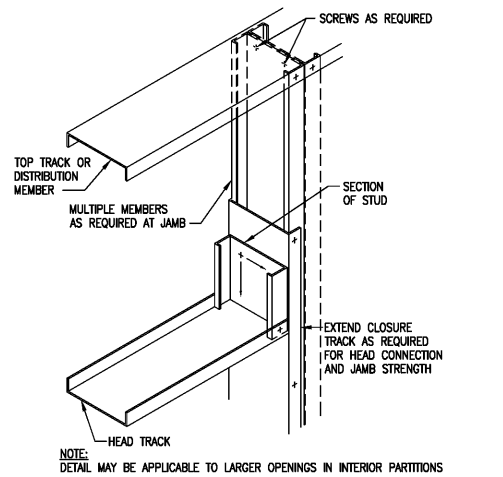
TD2
S.201
TYPICAL DETAIL
JOIST, STUD OR RAFTER WEB PENETRATIONS



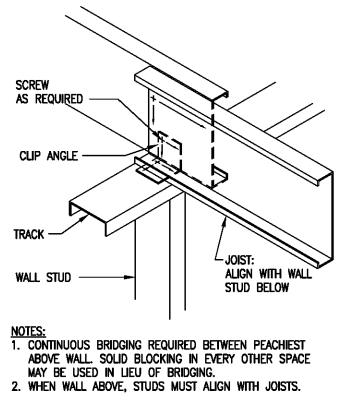
TDS
S.201
TYPICAL DETAIL
ALTERNATE HEADER BEAM CONNECTIONS



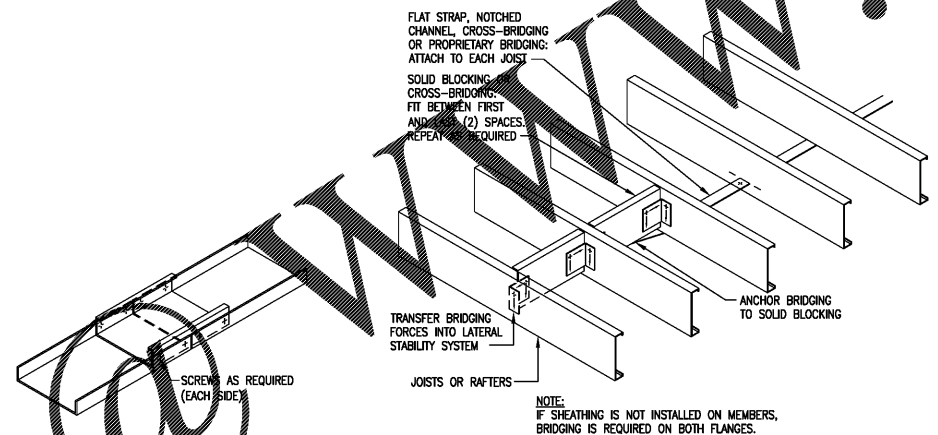
TDS
S.201
TYPICAL DETAIL
AXIAL LOAD BEARING JAMB AND HEAD 4'-0" (1.2m) OPENING WIDTH



TDS
S.201
TYPICAL DETAIL
NON-AXIAL LOAD BEARING JAMB AND HEAD <4'-0" (1.2m) OPENING WIDTH

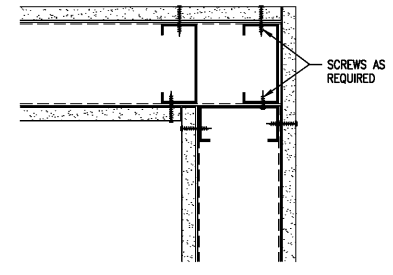


TDS
S.201
TYPICAL DETAIL
JOISTS SUPPORTED ON STUDS

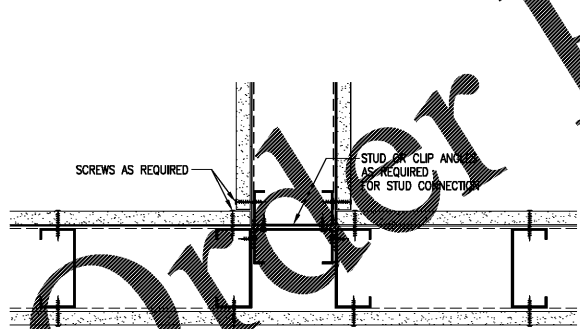


TDS
S.201
TYPICAL DETAIL
TOP AND BOTTOM TRACK SPLICE

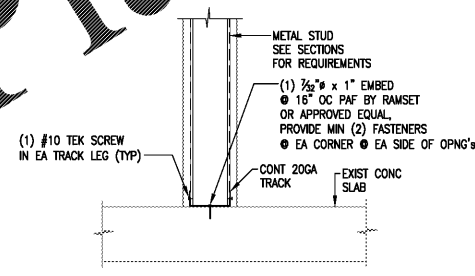
TDS
S.201
TYPICAL DETAIL
JOIST AND RAFTER BRIDGING



TDS
S.201
TYPICAL DETAIL
CORNER FRAMING



TDS
S.201
TYPICAL DETAIL
WALL INTERSECTION FRAMING



TDS
S.201
TYPICAL DETAIL
CONNECTION OF NEW TRACK TO EXIST SLAB

PROJECT DATE & TIME