



Thorson-Baker Associates
CONSULTING ENGINEERS

3030 West S Streetsboro Road (330) 659-6888 Ph.
Richfield, Ohio 44296 (330) 659-6675 Fax



1400 Park Ave., Suite 400, Pittsburgh, PA 15219
P: 412.526.2100 F: 412.526.2107

These drawings are instruments of the Architect's service and are the property of LGA Partners LP. They shall not be reproduced or used in any way, whatsoever, without the written permission of LGA Partners LP. © 2018

NATHANIEL J. KOBB, PE 009900
03/09/2007 EXPRES. 02/28/2019

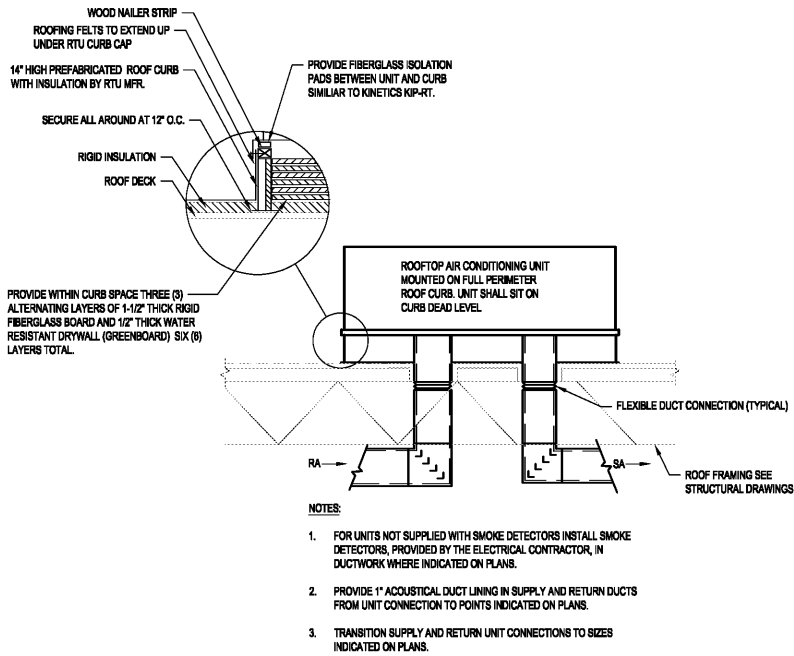
NO.	DATE	DESCRIPTION
1	09/04/2018	PERMIT/BID SET

DATE: 08/20/2018
DRAWN BY: STAFF
PROJECT NO.: 18125
FILE NAME: 2018-0918 M4.0.rvt

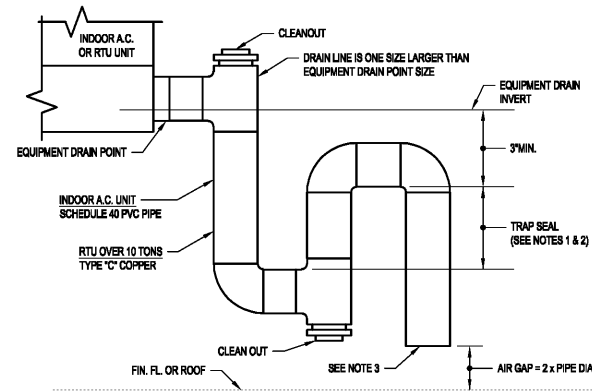
**HVAC
DETAILS**

M4.0

GRAPHIC SCALE

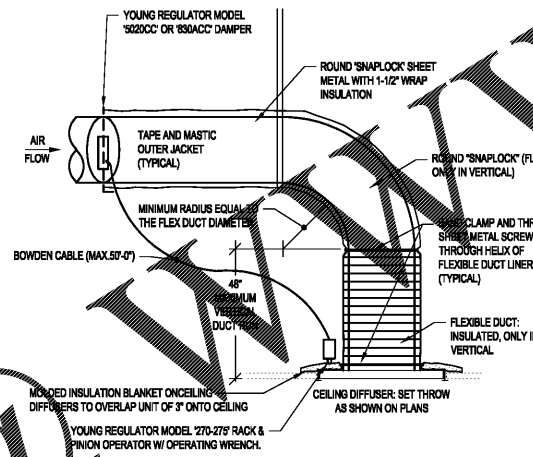


◆ ROOFTOP UNIT INSTALLATION
N.T.S.

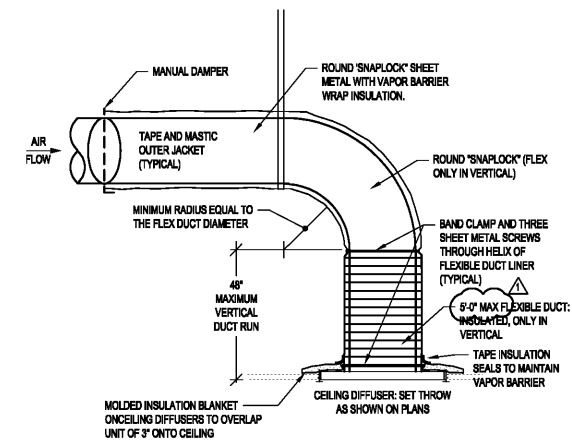


- NOTES:**
- FOR DRAINS ON SUCTION SIDE OF FAN USE 3" MIN. TRAP SEAL OR MAX. FAN SUCTION PRESSURE PLUS 1" WHICHEVER IS GREATER.
 - FOR DRAINS ON DISCHARGE SIDE OF FAN USE 6" MIN. TRAP SEAL OR MAX. FAN DISCHARGE PRESSURE PLUS 1" WHICHEVER IS GREATER.
 - DISCHARGE ONTO SPLASH BLOCK ON ROOF OR OVER FLOOR DRAIN IN FINISHED FLOOR.

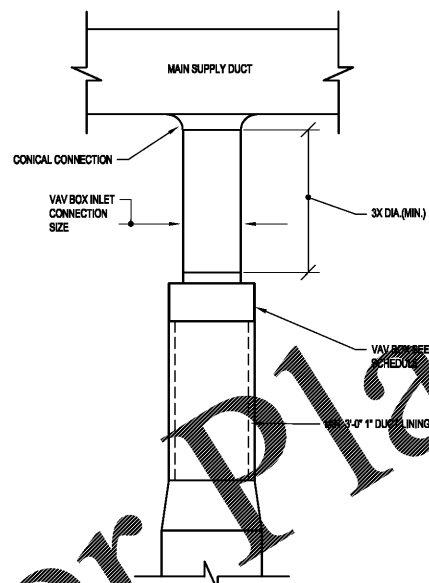
◆ CONDENSATE DRAIN ROOF/FLOOR
N.T.S.



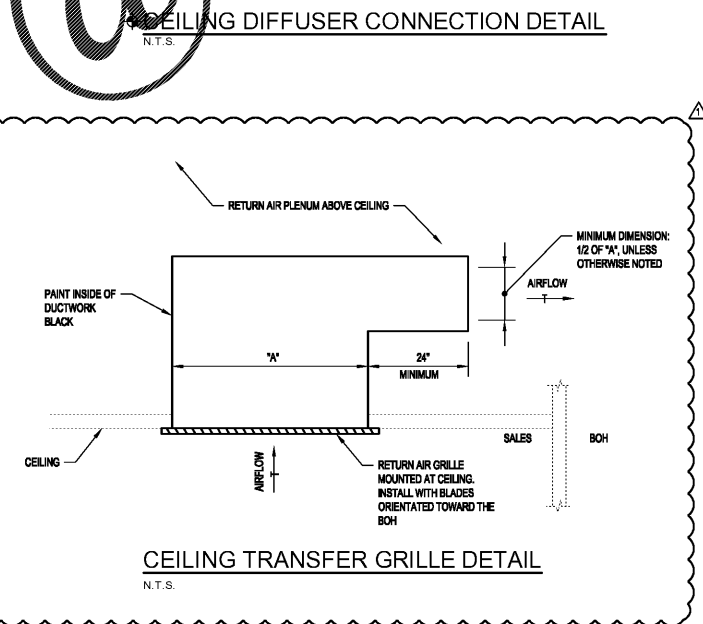
◆ DUCT BRANCH TAKE-OFF DETAILS
N.T.S.



◆ CEILING DIFFUSER CONNECTION DETAIL
N.T.S.



◆ TYPICAL VAV BOX CONNECTION



◆ CEILING TRANSFER GRILLE DETAIL
N.T.S.

DRAWING LOCATION: \\fs1\projects\18125\18125_0918\18125_0918\18125_0918_01.dwg

PRINT DATE: 8/20/2018 4:03 pm

Order Plans @