

NO.	DATE	DESCRIPTION
1	09/05/2018	PERMIT/BID SET

DATE: 08/20/2018

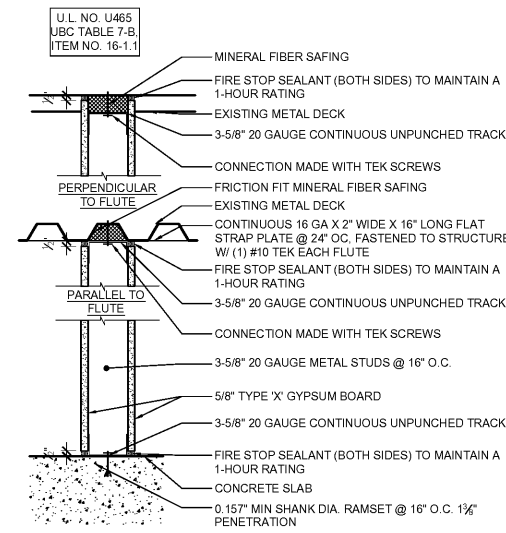
DRAWN BY: STAFF

PROJECT NO.: 18125

FILE NAME: 18125 Morphie - The Florida Mall.dwg

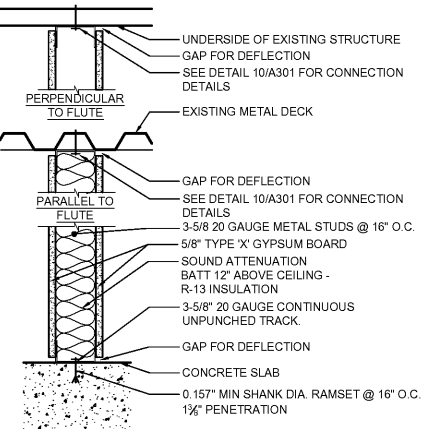
WALL TYPE DETAILS

A301

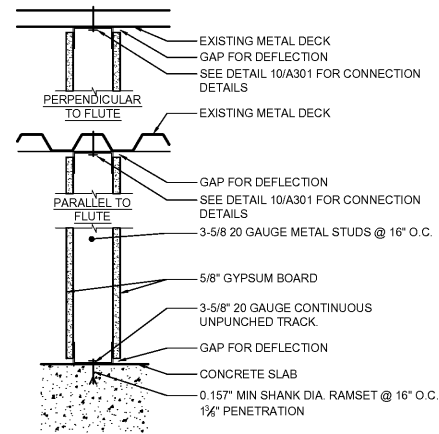


EXISTING WALL, GC TO VERIFY EXISTING CONDITIONS. COMPLY WITH U.L. NO. U465 UBC TABLE 7-B, ITEM NO. 16-1.1

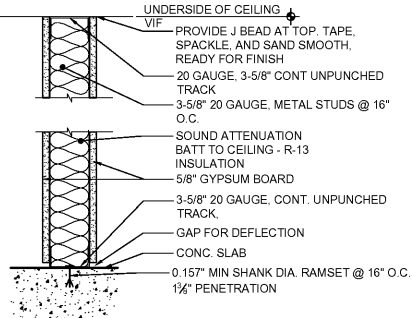
1 WALL TYPE 'A'
A301 SCALE: 1-1/2" = 1'-0"



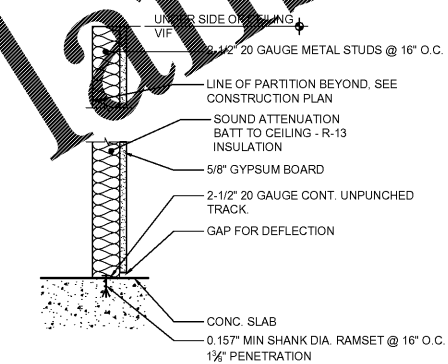
5 WALL TYPE 'B5'
A301 SCALE: 1-1/2" = 1'-0"



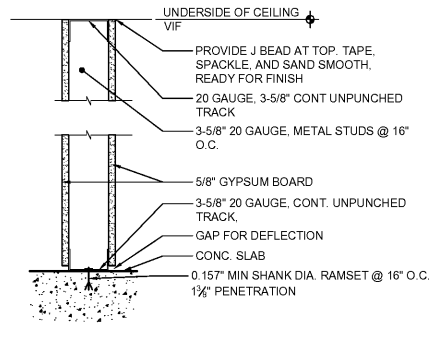
2 WALL TYPE 'B'
A301 SCALE: 1-1/2" = 1'-0"



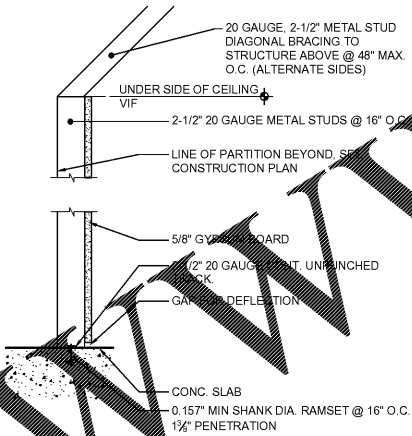
6 WALL TYPE 'B6'
A301 SCALE: 1-1/2" = 1'-0"



9 WALL TYPE 'C5'
A301 SCALE: 1-1/2" = 1'-0"

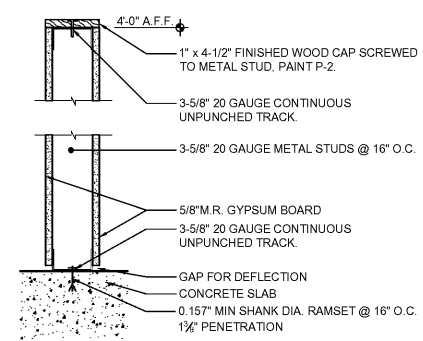


3 WALL TYPE 'B1'
A301 SCALE: 1-1/2" = 1'-0"

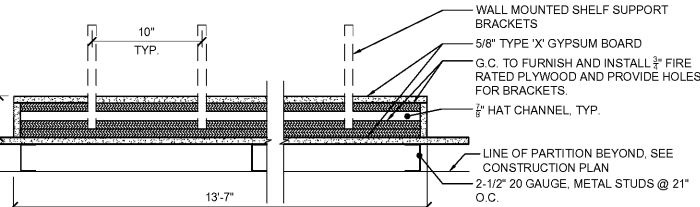
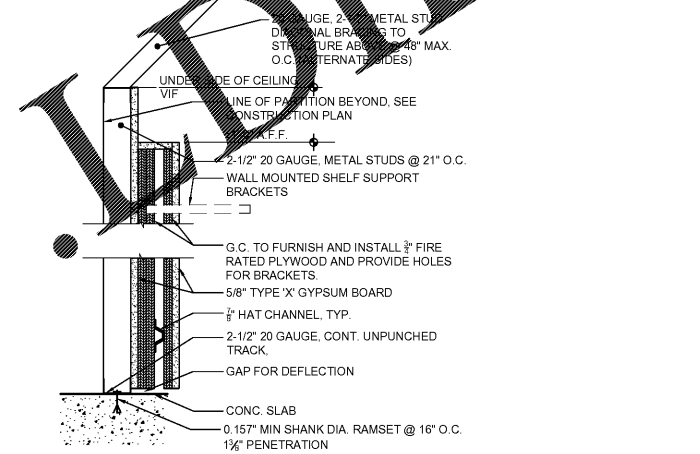


7 WALL TYPE 'C1'
A301 SCALE: 1-1/2" = 1'-0"

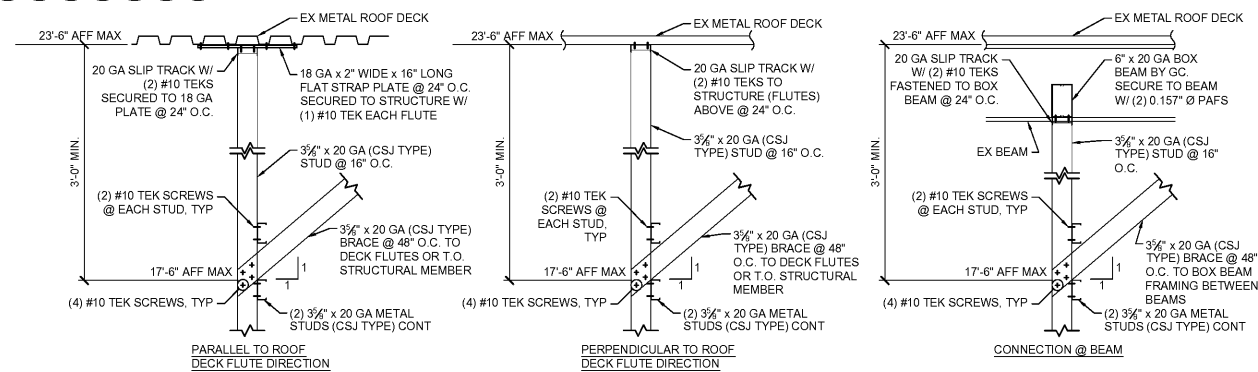
NOTE: ATTACHMENT TO DECK IS NOT PERMITTED



4 WALL TYPE 'B4'
A301 SCALE: 1-1/2" = 1'-0"



8 WALL TYPE 'C3'
A301 SCALE: 1-1/2" = 1'-0"



10 FULL HEIGHT WALL BRACING DETAIL
A301 SCALE: 3/4" = 1'-0"

Order Plans @

C:\Users\lga\appdata\local\temp\AutoCAD2018\18125 Morphie - The Florida Mall.dwg September 05, 2018 - 1:59 PM