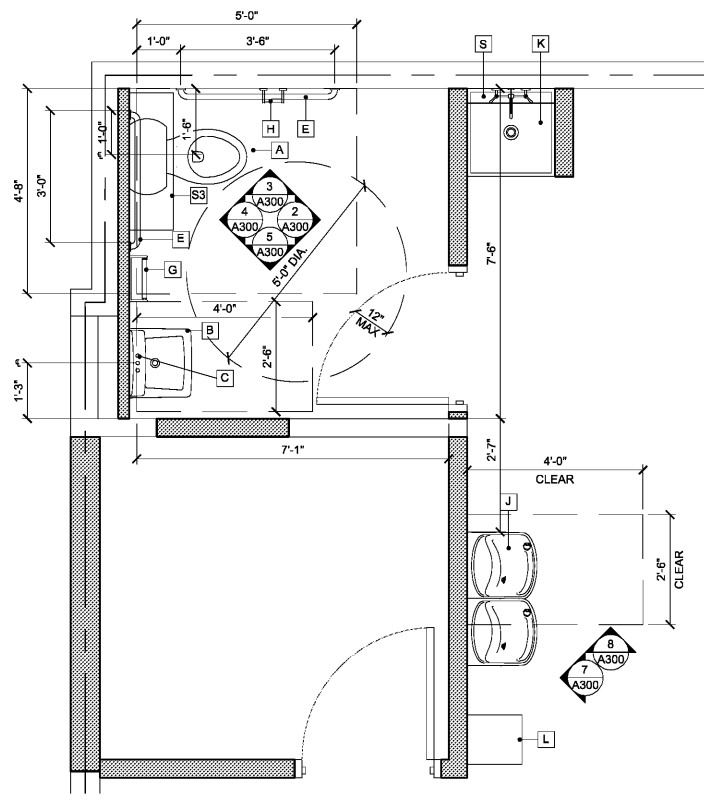
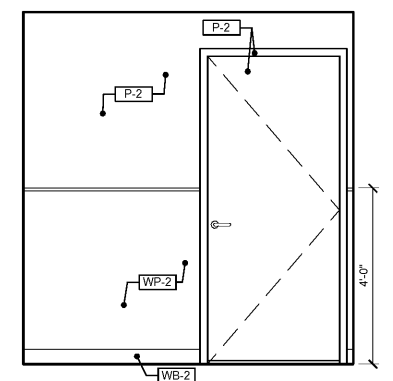


TOILET ROOM COMPONENT SCHEDULE						
MARK	ITEM	MODEL #	EXIST. TO REMAIN	RELOCATE	NEW (ADD/REPLACE)	NOTES
A	TOILET SEAT	SEE PLUMBING PLANS	--	--	1	--
B	TOILET SEAT	SEE PLUMBING PLANS	--	--	1	--
C	HANDSINK	SEE PLUMBING PLANS	--	--	1	--
D	LEVER HANDLE FAUCET	SEE PLUMBING PLANS	--	--	1	--
E	PIPE WRAP	SEE PLUMBING PLANS	--	--	1	--
F	GRAB BARS (SET)	BOBRICK (1) B-5806x36, (1) B-5806x42, (1) B-5806x18	--	--	1	--
G	MIRROR	BOBRICK B-290-1836	--	--	1	--
H	PAPER TOWEL HOLDER	BOBRICK B-253	--	--	1	--
I	TOILET PAPER HOLDER	BOBRICK B-6857	--	--	1	--
J	HI/LO WATER FOUNTAIN	SEE PLUMBING PLANS	--	--	1	--
K	SERVICE SINK	SEE PLUMBING PLANS	--	--	1	--
L	WATER FILTRATION SYSTEM	SEE PLUMBING PLANS	--	--	1	--
P	TOILET SEAT COVER DISPENSER	BOBRICK B-221	--	--	1	--
S3	TOILET ROOM SHELVING	SEE SHEET A500	--	--	1	--
S	MOP HOLDER	ULINE H-2840	--	--	1	OWNER PROVIDED

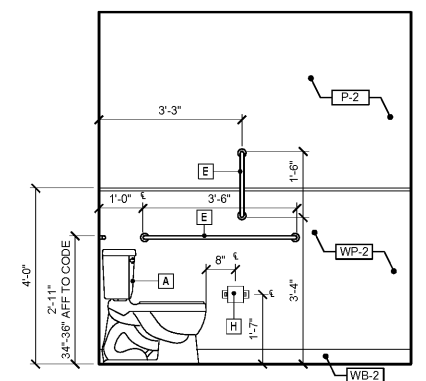
- GENERAL TOILET ROOM NOTES**
- GC TO ENSURE THE EXISTING ITEMS COMPLY WITH NOTES ON THIS PAGE (VERIFY IN FIELD BEFORE BIDDING). IF GC IS PRESENTED WITH LONG LEAD TIMES, THEY MUST PRESENT A CUT SHEET OF PROPOSED SUBSTITUTION TO TENANT'S CONSTRUCTION MANAGER.
 - GC TO ENSURE ITEMS TO BE REUSED OR RELOCATED ARE CODE COMPLIANT, AND IN WORKING ORDER. PROVIDE ALTERNATE BID FOR NEW.
 - GC SHALL FURNISH & INSTALL ALL TOILET ROOM COMPONENTS LISTED ON SCHEDULE.
 - GC SHALL FURNISH & INSTALL NEW ACCESSORIES IF EXISTING ACCESSORIES TO BE REUSED ARE NOT IN ACCORDANCE WITH CURRENT ADA REGULATIONS AND/OR DO NOT MEET REQUIREMENTS OF DRAWINGS.
 - GC SHALL FURNISH & INSTALL GRAB BARS SO THAT THEY DO NOT ROTATE AND THERE ARE TO BE NO SHARP OR ABRUPT ELEMENTS ON OR ADJACENT TO THEM. EDGES ARE TO HAVE A MINIMUM 1/8" RADIUS.
 - GC SHALL ENSURE THAT GRAB BAR BACKING AND ATTACHMENT SHALL BE CONSTRUCTED FOR A 250 POUND POINT LOAD ALLOWED UNDER LAVATORY.
 - GC SHALL INSULATE OR COVER ALL HOT WATER AND DRAIN PIPES UNDER LAVATORY. NO SHARP OR ABRUPT SURFACES ALLOWED UNDER LAVATORY.
 - GC SHALL ENSURE THAT FAUCET CONTROLS AND OPERATING MECHANISMS ARE EASILY OPERATED BY ONE HAND AND MUST NOT REQUIRE GRASPING, PINCHING, OR TWISTING OF THE WRIST. FORCE NEEDED TO ACTIVATE CONTROLS SHALL NOT EXCEED 5 LBS. FOR LEVER OPERATED OR 15 LBS. FOR PUSH TYPE.
 - GC SHALL FURNISH & INSTALL SOLID BLOCKING IN WALL FOR ALL TOILET ACCESSORIES.
 - TOILET FLUSH HANDLE TO BE INSTALLED ON ACCESSIBLE SIDE OF TOILET, REPAIR IF EXISTING DOES NOT COMPLY.



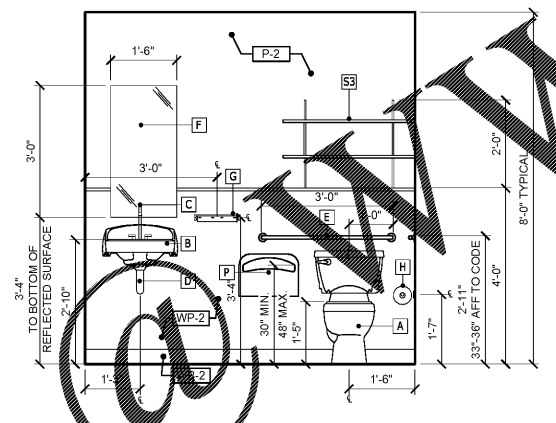
1 ENLARGED TOILET ROOM
A300 SCALE: 1/2" = 1'-0"



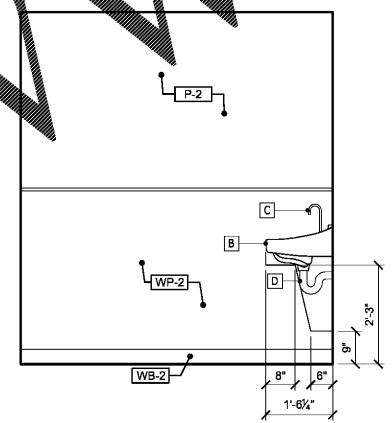
2 INTERIOR ELEVATION
A300 SCALE: 1/2" = 1'-0"



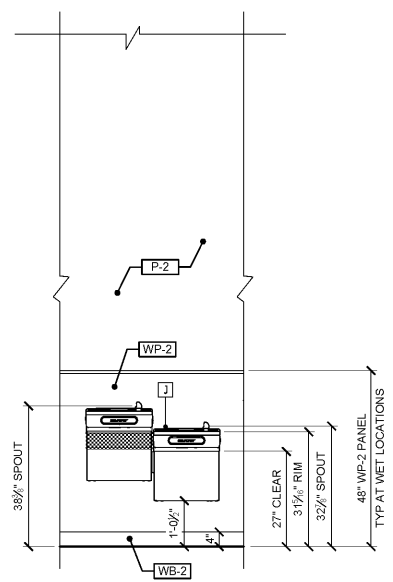
3 INTERIOR ELEVATION
A300 SCALE: 1/2" = 1'-0"



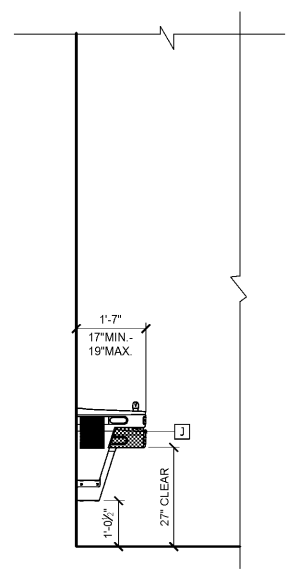
4 INTERIOR ELEVATION
A300 SCALE: 1/2" = 1'-0"



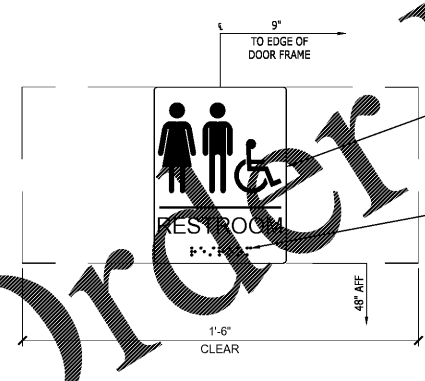
5 INTERIOR ELEVATION
A300 SCALE: 1/2" = 1'-0"



7 INTERIOR ELEVATION
A300 SCALE: 1/2" = 1'-0"



8 INTERIOR ELEVATION
A300 SCALE: 1/2" = 1'-0"



6 TYP. TOILET ROOM SIGN
A300 SCALE: 3" = 1'-0"

MORPHE
#029
THE FLORIDA
MALL
8001 SOUTH ORANGE
BOSSOM TRAIL
SUITE #410B
ORLANDO, FL 32809

lga PARTNERS
1425 Forbes Ave. Suite 402 Pittsburgh, PA 15219
P 412.343.5400 F 412.234.0717

These drawings are instruments of the Architect's service and are the property of LGA Partners LP. They shall not be reproduced or used in any way, whatsoever, without the written permission of LGA Partners LP. © 2018

NO.	DATE	DESCRIPTION
1	09/05/2018	PERMIT/BID SET

DATE: 08/20/2018
DRAWN BY: STAFF
PROJECT NO.: 18125
FILE NAME: 18125 Morphe - The Florida Mall.dwg

TOILET PLAN AND ELEVATIONS

A300

GRAPHIC SCALE

Z:\ARCH\LOCATIONS\ C:\Users\lga\appdata\local\temp\A300\18125 Morphe - The Florida Mall.dwg
 September 05, 2018 - 1:50 pm

Order Plans