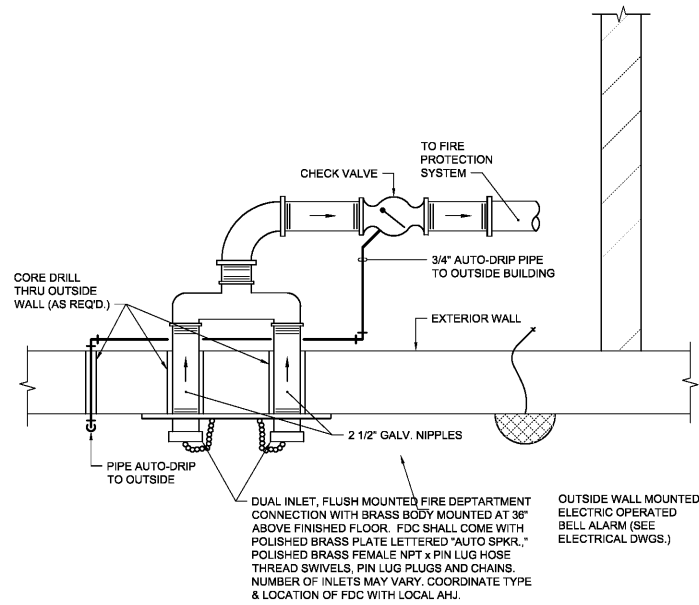
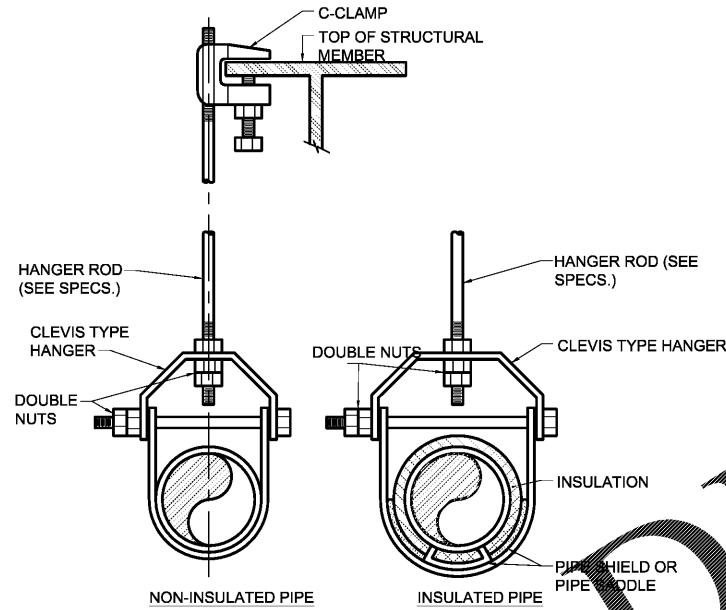


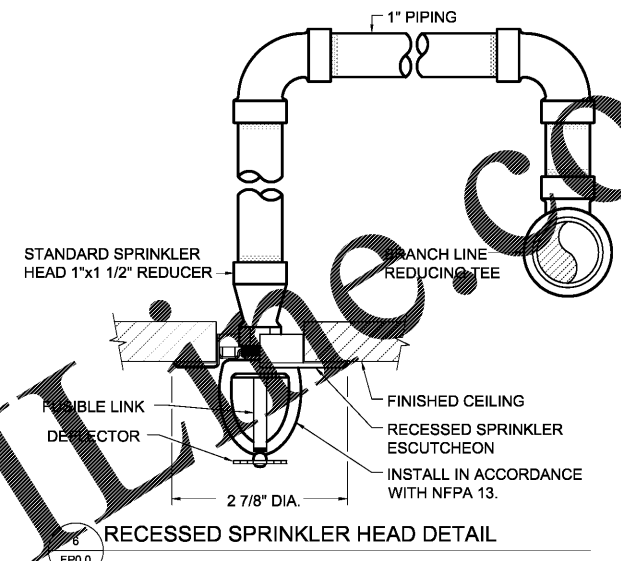
1 Sprinkler Riser W/ Vertically Mounted (BFP) Detail
FP0.0 SCALE: NONE



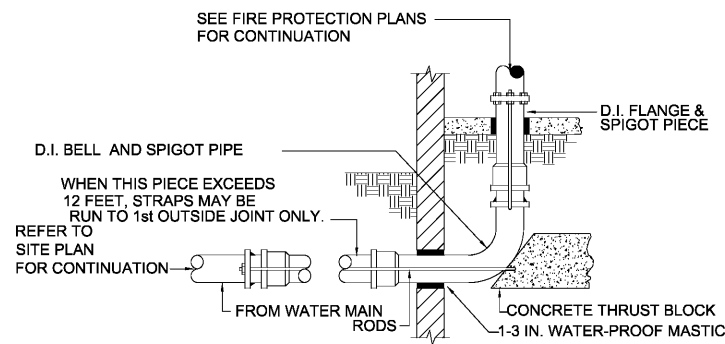
3 Flush Mounted Fire Department Connection Detail
FP0.0 SCALE: NONE



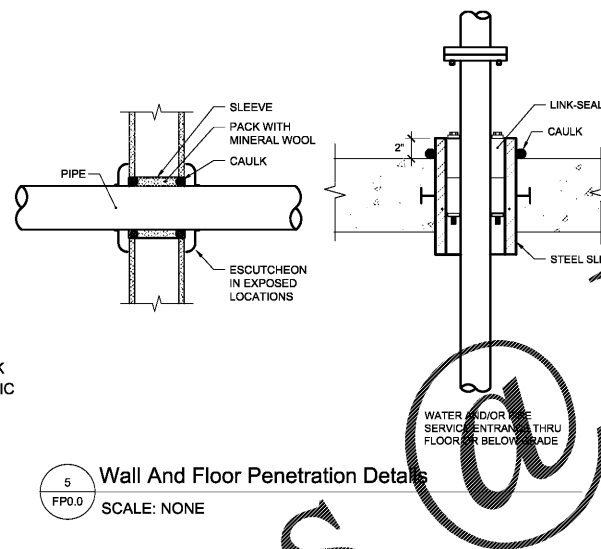
7 SINGLE PIPE HANGER DETAIL
FP0.0 SCALE: NONE



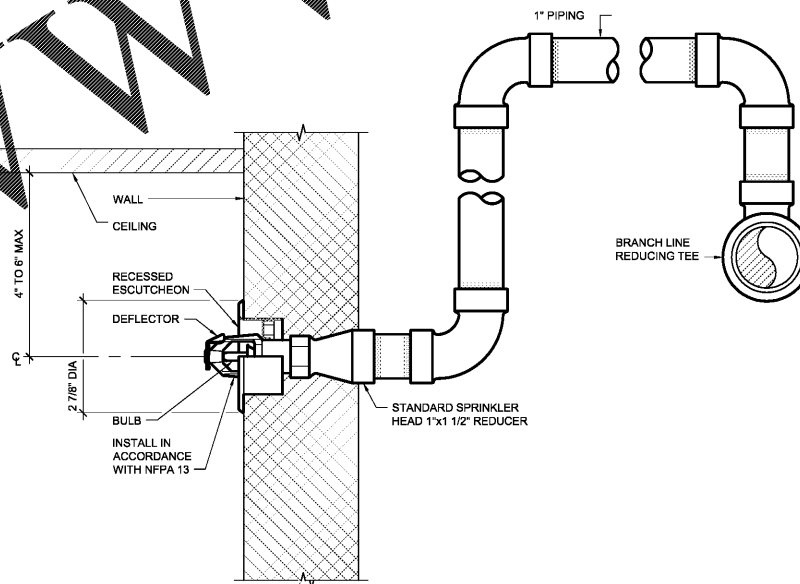
8 RECESSED SPRINKLER HEAD DETAIL
FP0.0 SCALE: NONE



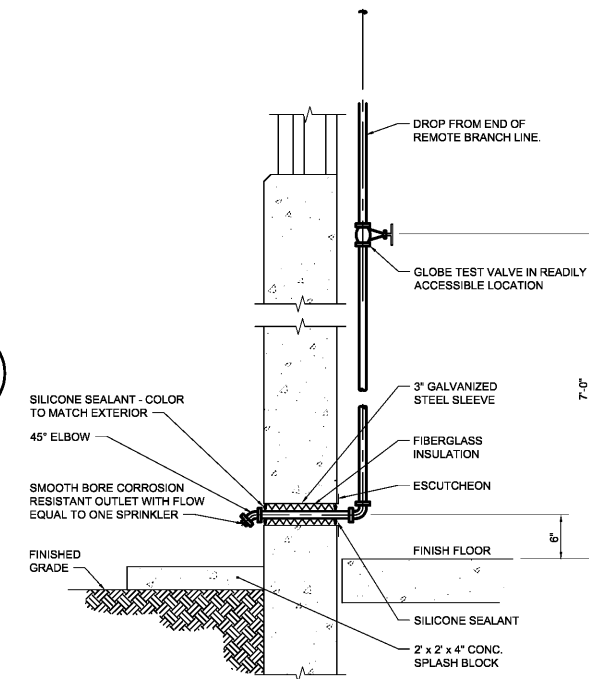
2 FIRE SERVICE ENTRANCE INSTALLATION
FP0.0 SCALE: NONE



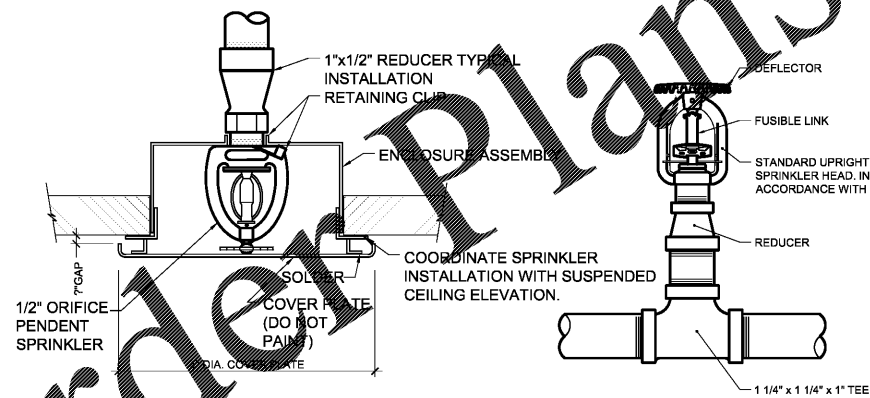
5 Wall And Floor Penetration Details
FP0.0 SCALE: NONE



8 Sidewall Sprinkler Head Detail
FP0.0 SCALE: NONE



4 INSPECTOR TEST & SYSTEM DRAIN DETAIL
FP0.0 SCALE: NONE



6 CONCEALED & Upright SPRINKLER HEAD DETAILS
FP0.0 SCALE: NONE

CLAYTON COUNTY
NEW FIRE STATION #9
4178 OLD DIXIE
HIGHWAY
ATLANTA, GEORGIA
30364
CLAYTON COUNTY
FIRE DEPARTMENT

SLIKING
Associates, Inc.
ENGINEERS • PLANNERS • MANAGERS
270 Peachtree Street, N.W.
Suite 1600
Atlanta, GA 30303
(M) 404.524.5800
(F) 404.584.1799
www.sliking.com

Boye Architecture
ARCHITECTURE
INTERIOR DESIGN
LAND PLANNING
180 CLAIRBORNE AVE., STE 120
DECATUR, GEORGIA
TEL: 478.353.8814

WWW.BOYEARCHITECTURE.COM
GEORGIA
REGISTERED
PROFESSIONAL
ENGINEER
AUGUST Y. GHAMDI
07/26/2018
RELEASED FOR
CONSTRUCTION

DATE: 07/26/2018
PROJECT NO: 2017017
DRAWN BY: AYG
CHECKED BY: AYG

FIRE PROTECTION -
DETAILS

FP500