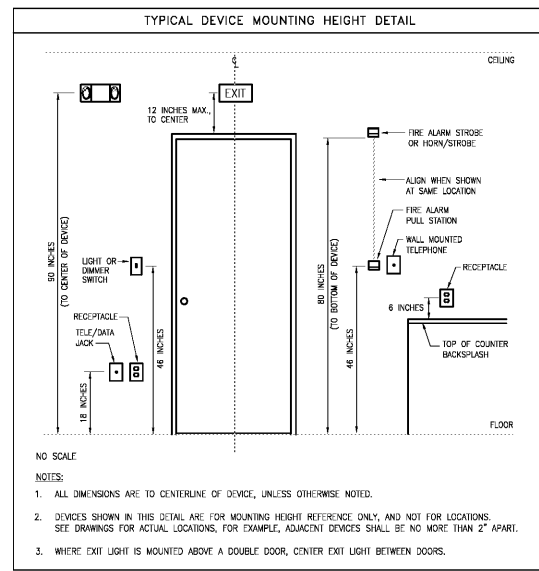
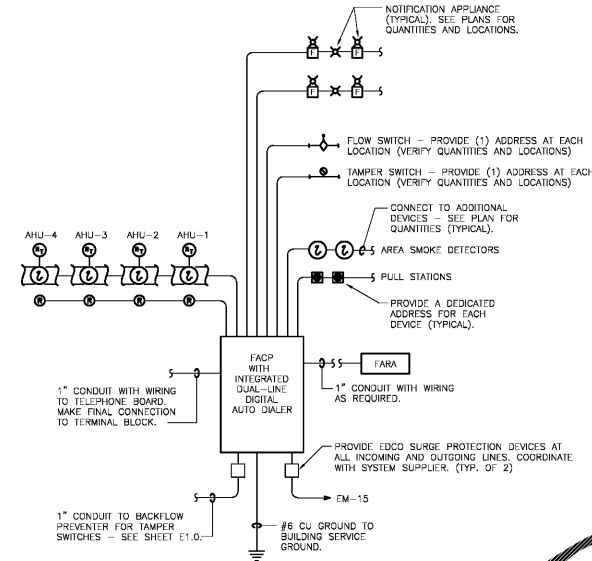


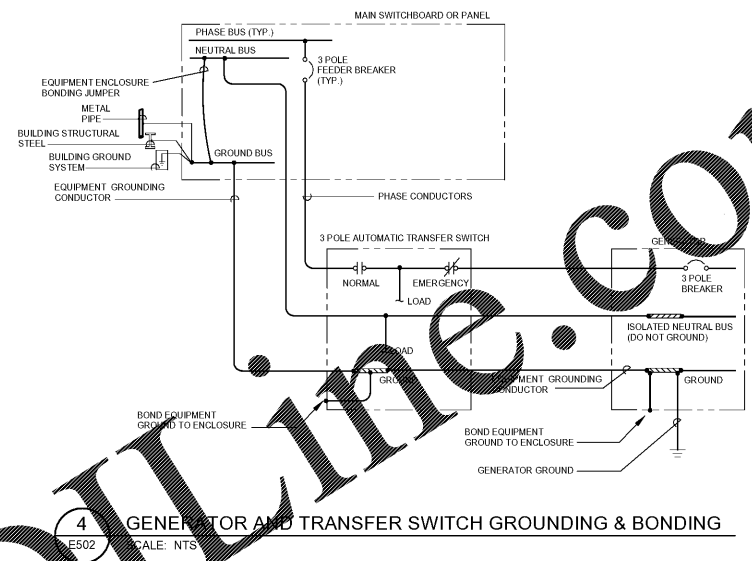
1 CONDUIT SUPPORT DETAIL
E502 SCALE: NTS



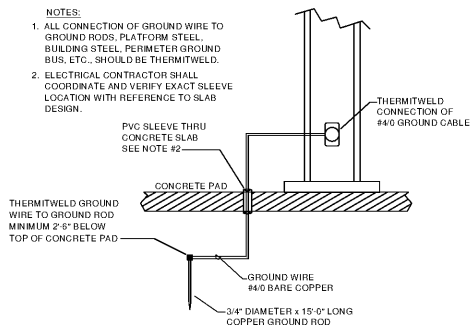
2 DEVICE MOUNTING DETAIL
E502 SCALE: NTS



3 FIRE ALARM RISER DIAGRAM
E502 NTS



4 GENERATOR AND TRANSFER SWITCH GROUNDING & BONDING
E502 SCALE: NTS



5 COLUMN GROUNDING DETAIL
E502 SCALE: NTS

Order Plans @

WWW.LDILLINE.COM

CLAYTON COUNTY
NEW FIRE STATION #0
4175 OLD DIXIE
HIGHWAY
ATLANTA, GEORGIA
30304

CLAYTON COUNTY
FIRE DEPARTMENT

SKING
Associates, Inc.
ENGINEERS • PLANNERS • MANAGERS

270 Peachtree Street, N.W.
Suite 1600
Atlanta, GA 30303
(M) 404.524.5800
(F) 404.584.1799
www.sking.com

Boye
BOYE ARCHITECTURE

ARCHITECTURE

INTERIOR DESIGN

LAND PLANNING

100 CUMBERLAND AVENUE, SUITE 1100
DECATUR, GEORGIA 30030

TEL: 404.253.8800

WORKSHEET NO. 01 OF 0178

Professional Engineer Seal for Clayton County, Georgia, dated 07/26/2018.

SEAL NO. 1226
CLAYTON COUNTY, GA

SCALE: 1/8" = 1'-0"

DATE: 07/26/2018
PROJECT NO: 2017017
DRAWING NO: RL
DESIGNER: PF

ELECTRICAL -
DETAILS

E502