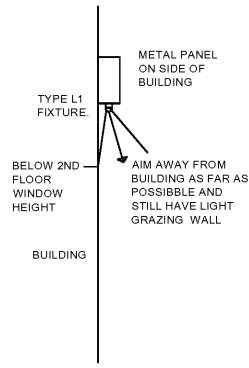
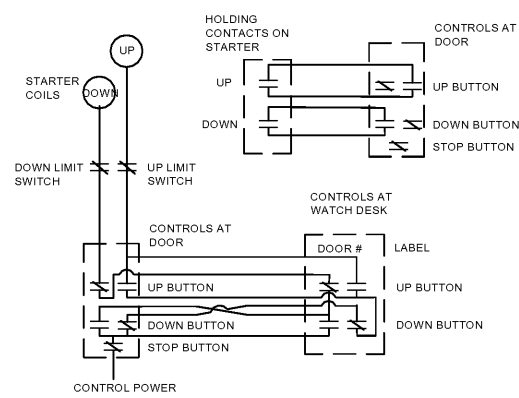


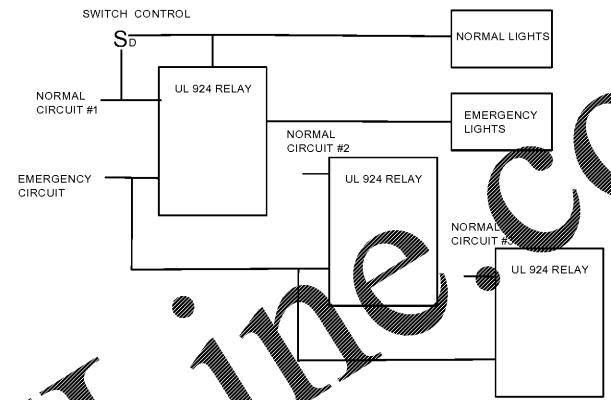
1 CANOPY LIGHTING DETAIL  
SCALE: NTS



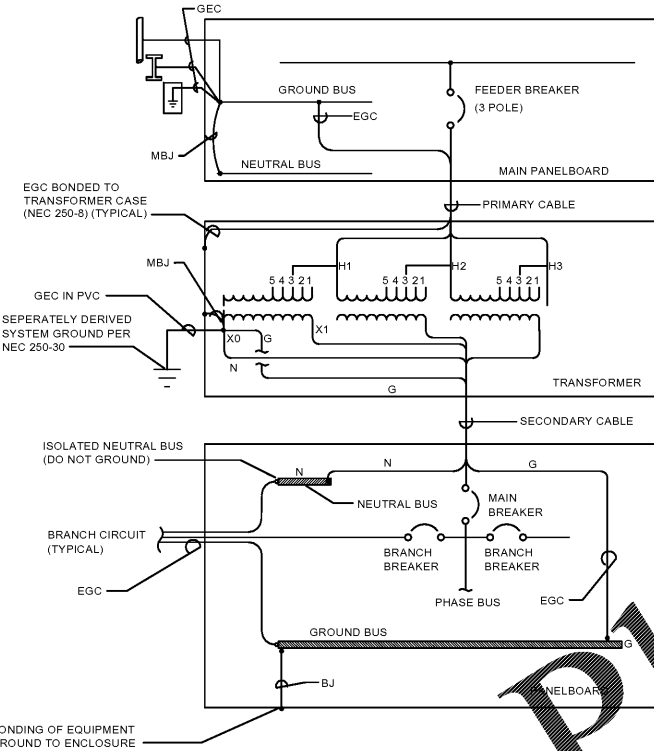
2 TYPE L1 FIXTURE DETAIL  
SCALE: NTS



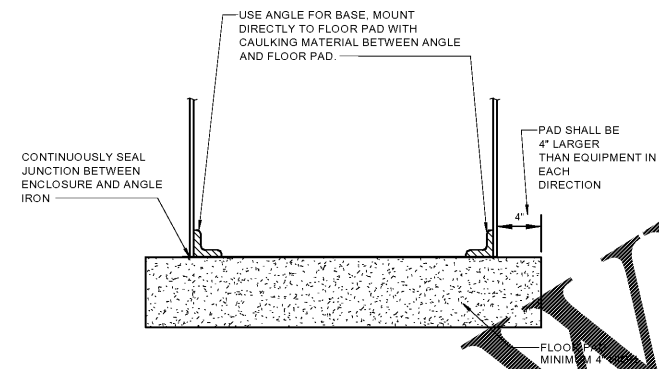
3 DOOR CONTROLS DETAIL  
SCALE: NTS



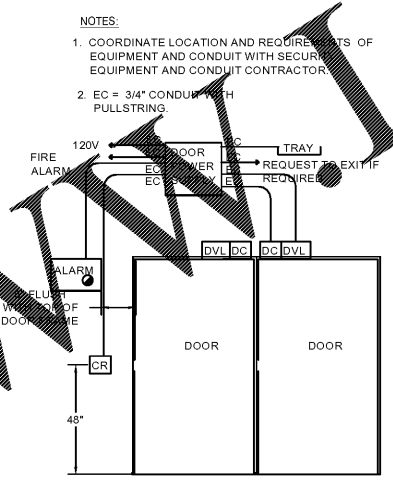
4 LIGHT SWITCHING DETAIL  
SCALE: NTS



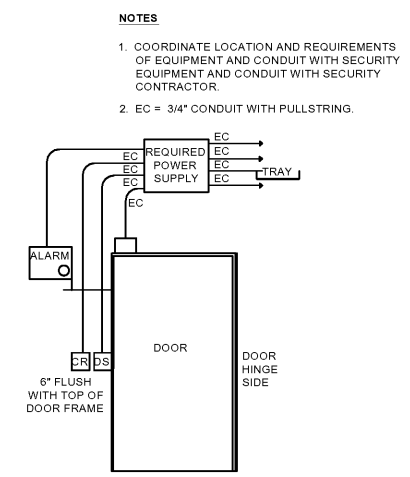
5 TYPICAL GROUNDING SYSTEM RISER DIAGRAM  
SCALE: NTS



6 ELECTRICAL EQUIPMENT PAD DETAIL  
SCALE: NTS



7 DOUBLE DOOR ACCESS CONTROL  
SCALE: NTS

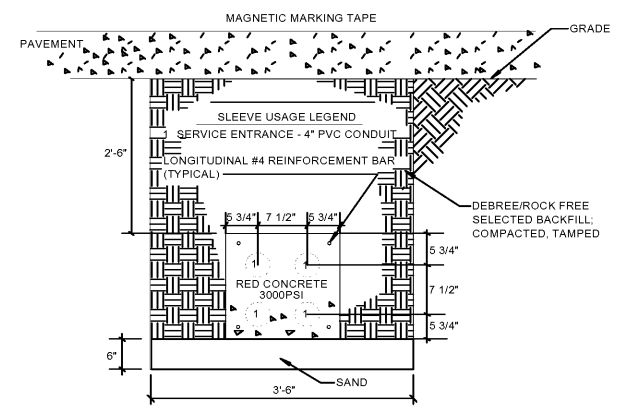


8 SINGLE DOOR ACCESS CONTROL  
SCALE: NTS

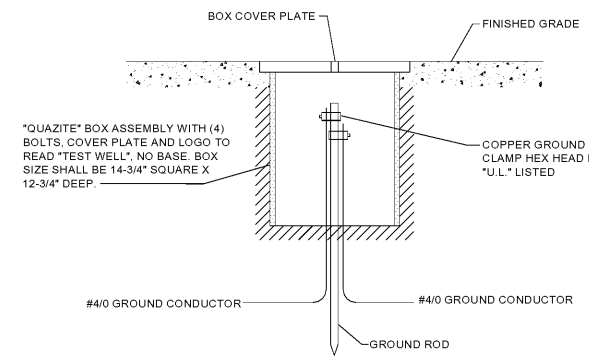
FIRE ALARM SEQUENCE OF OPERATION MATRIX

SYSTEM INPUTS	1	2	3	4	5	6	7	8	9	10	11	12	13	14	15	16	17	18	19	20	
SMOKE DETECTOR																					
PULL STATION																					
SPRINKLER FLOW SENSOR																					
SPRINKLER TAMPER SWITCH																					
DUCT SMOKE DETECTORS																					
AC POWER																					
SYSTEM OPEN/NAC SHORT																					
BATTERY LOW OR OPEN																					
GROUND FAULT																					
ALARM SILENCE																					
DEVICES IN TEST OR DISCONNECT																					

9 FIRE ALARM SEQUENCE  
SCALE: NTS



10 SERVICE DUCT BANK SECTION DETAIL  
SCALE: NTS



11 GROUNDING TEST WELD DETAIL  
SCALE: NTS

CLAYTON COUNTY  
NEW FIRE STATION #0  
4175 OLD DIXIE  
HIGHWAY  
ATLANTA, GEORGIA  
30504

CLAYTON COUNTY  
FIRE DEPARTMENT

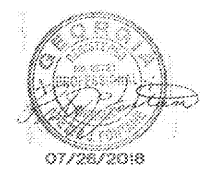
**SKING**  
Associates, Inc.  
ENGINEERS • PLANNERS • MANAGERS  
270 Peachtree Street, N.W.  
Suite 1600  
Atlanta, GA 30303  
(M) 404.524.5800  
(F) 404.584.1799  
www.skling.com

**R...**  
BYE ARCHITECTURE

ARCHITECTURE  
INTERIOR DESIGN  
LAND PLANNING

110 CUMBERLAND AVE. STE 100  
DUBLIN, GEORGIA 31004  
TEL: 404.252.0000  
FAX: 404.252.0000

WORKSHEET NUMBER: 07/26/2018



07/26/2018  
CLAYTON COUNTY, GEORGIA

DATE: 07/26/2018  
PROJECT NO: 2017017  
DRAWN BY: [Name]  
CHECKED BY: [Name]

ELECTRICAL -  
DETAILS

E501