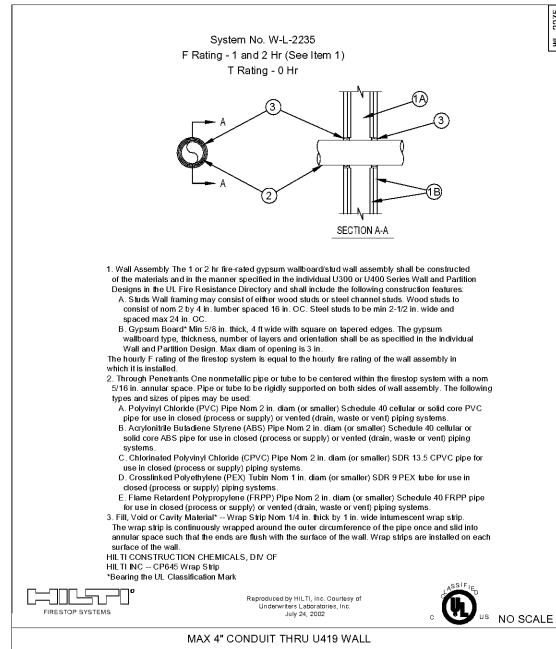
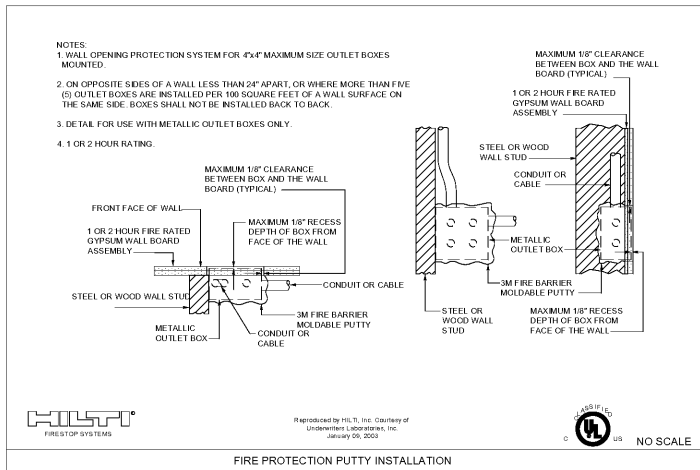


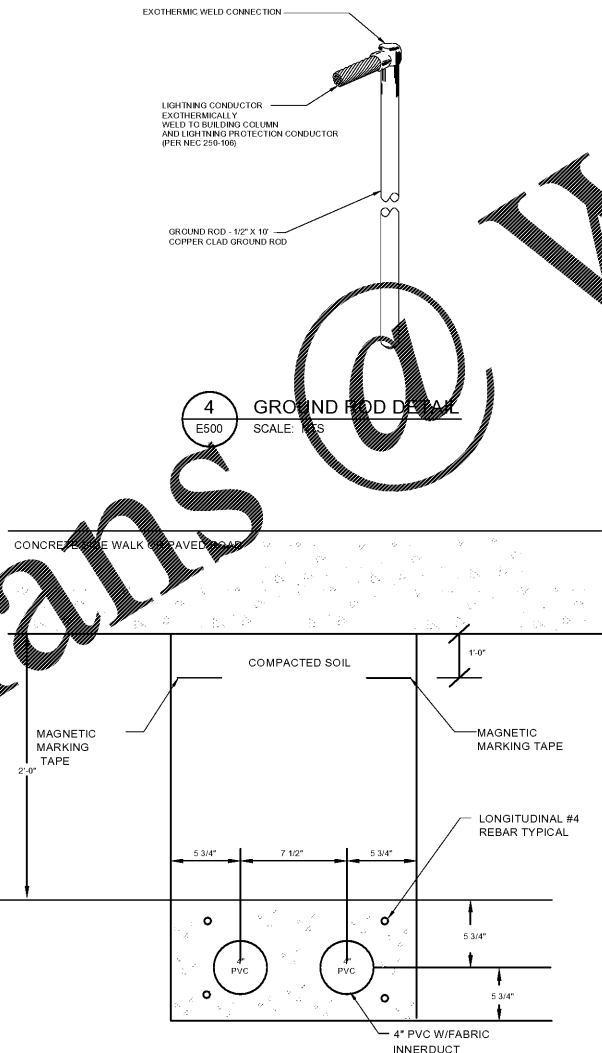
1 PENETRATION THRU 2 HOUR WALL
SCALE: NTS



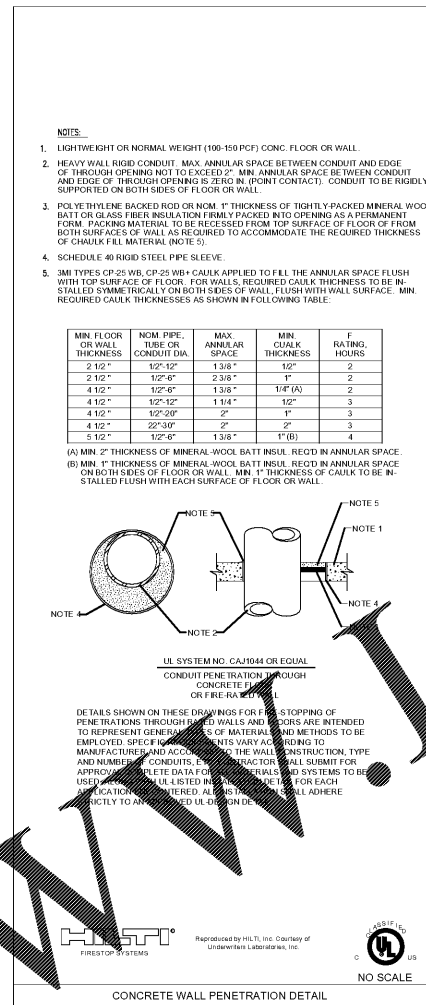
2 MAX 4" CONDUIT THRU U419 WALL
SCALE: NTS



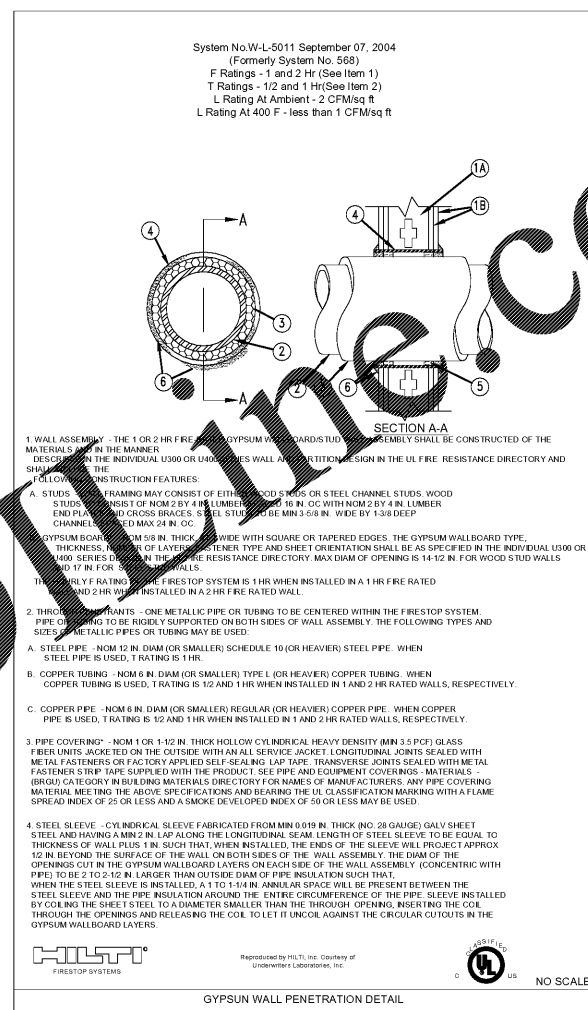
3 FIRE PROTECTION PUTTY INSTALLATION
SCALE: NTS



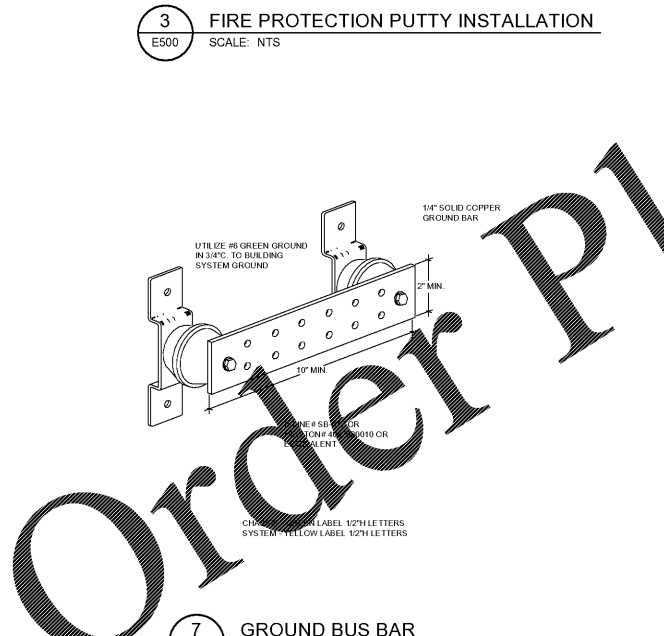
4 GROUND ROD DETAIL
SCALE: NTS



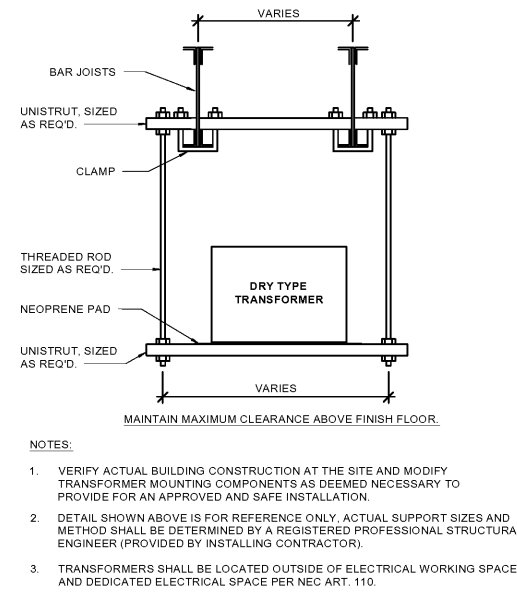
5 CONCRETE WALL PENETRATION DETAIL
SCALE: NTS



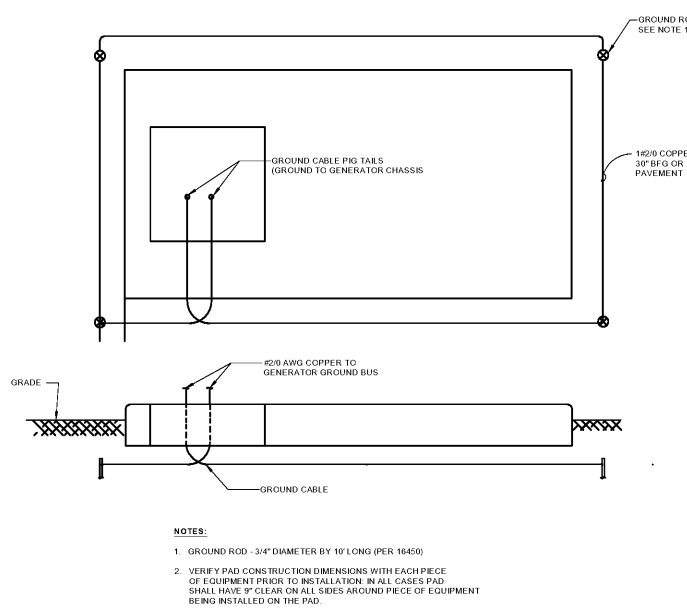
6 GYPSUM WALL PENETRATION DETAIL
SCALE: NTS



7 GROUND BUS BAR
SCALE: NTS



9 TRAPEZE MOUNTED TRANSFORMER DETAIL
SCALE: NTS



10 TRAPEZE MOUNTED TRANSFORMER DETAIL
SCALE: NTS

Order Plans @ WWW.ALDORINC.COM

CLAYTON COUNTY
NEW FIRE STATION #0
470 OLD DIXIE
HIGHWAY
ATLANTA, GEORGIA
30304
CLAYTON COUNTY
FIRE DEPARTMENT

SLIKING
ENGINEERS • PLANNERS • MANAGERS
270 Peachtree Street, N.W.
Suite 1600
Atlanta, GA 30303
(M) 404.524.5800
(F) 404.584.1799
www.sliking.com

BOYE ARCHITECTURE

ARCHITECTURE
INTERIOR DESIGN
AND PLANNING

THE UNIVERSITY OF THE SAHARA
ATLANTA, GEORGIA

WORKSHEET NO. 01 OF 0176

DATE: 07/26/2018
PROJECT NO: 2017017
DRAWING NO: 0176-0176-01
DATE PLOTTED: 07/26/2018

ELECTRICAL -
DETAILS

E500