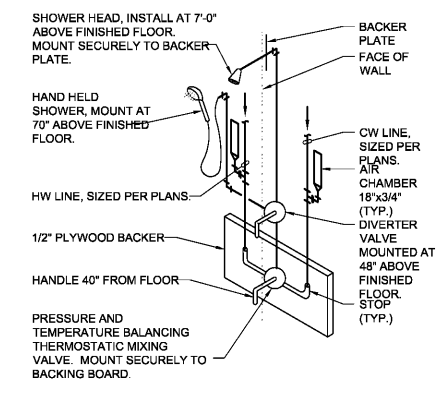
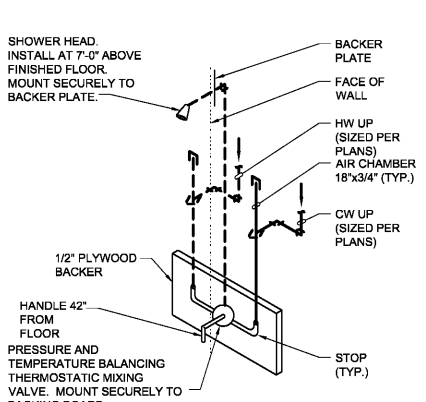


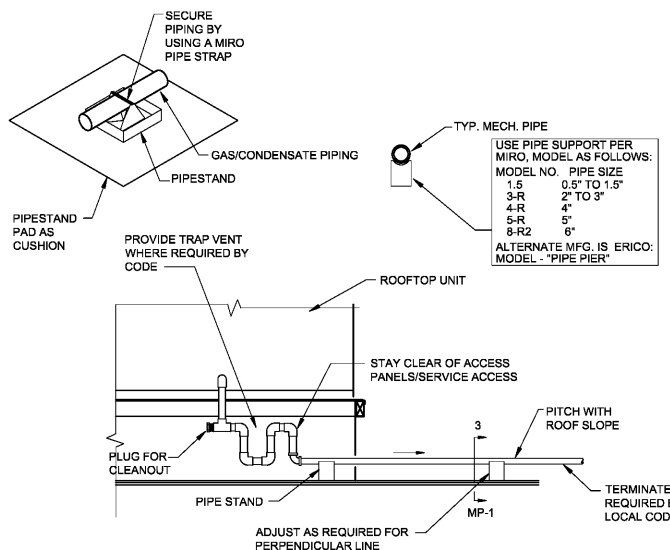
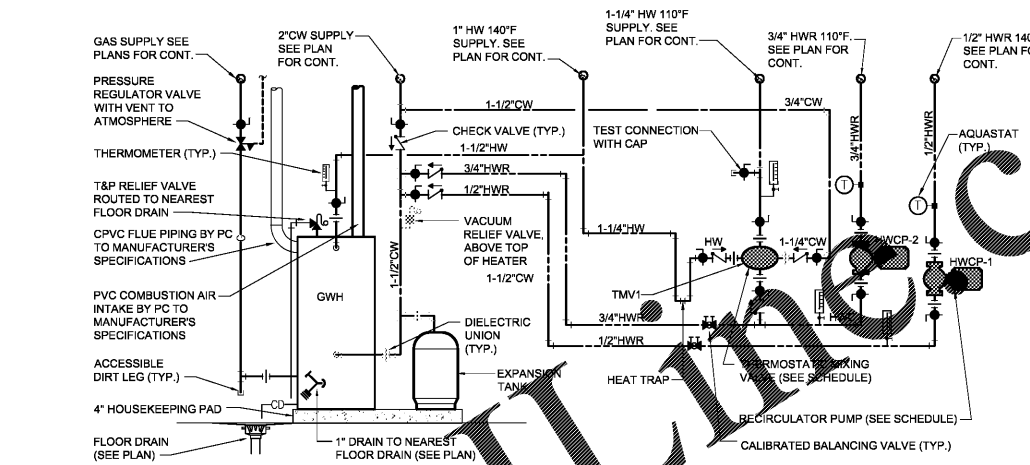
1 FLOOR SINK DETAIL  
501 SCALE: NONE



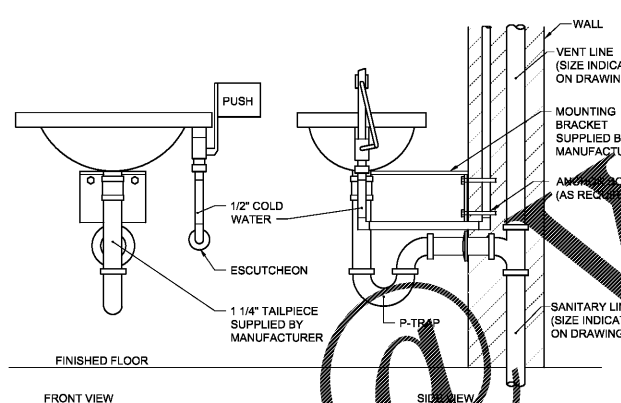
2 SHOWER SCHEMATICS  
P-501 SCALE: NONE



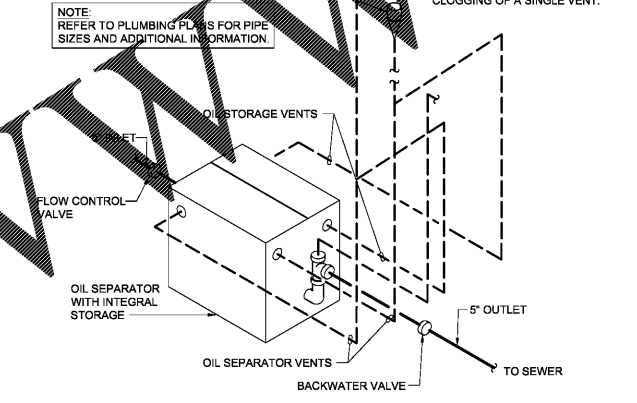
3 GAS WATER HEATERS PIPING DETAIL  
501 SCALE: NONE



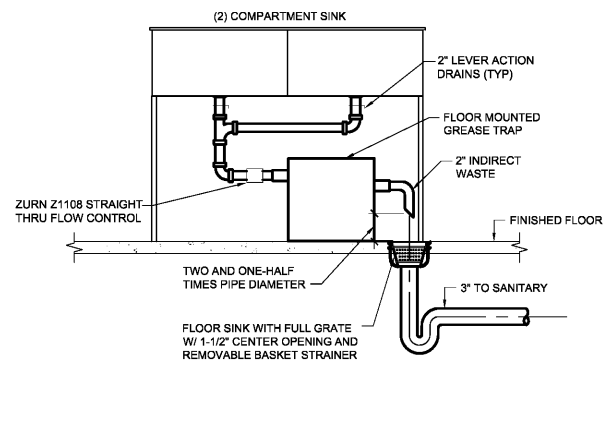
4 PIPESTAND & CONDENSATE PIPING DETAIL  
501 SCALE: NONE



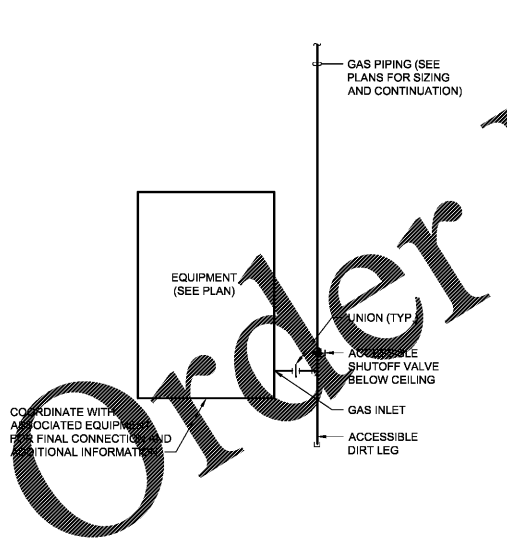
5 Emergency/Eyewash Piping Schematic  
501 SCALE: NONE



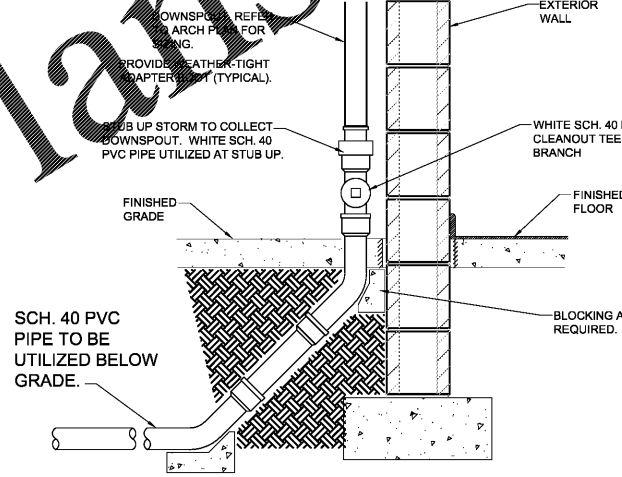
6 Oil Separator Piping Diagram  
501 SCALE: NONE



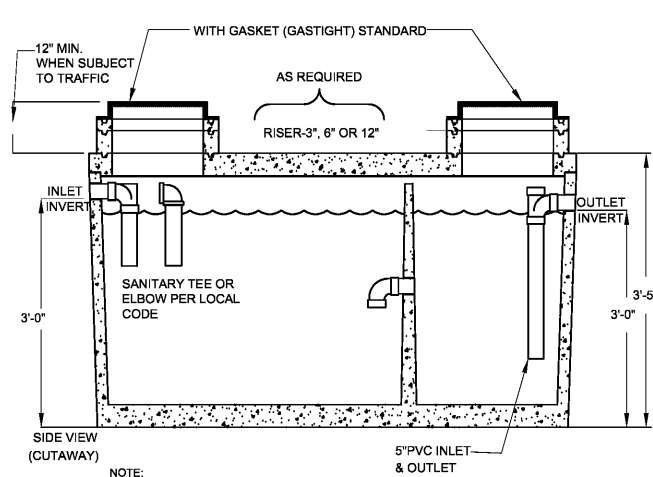
7 Waste For 2-Compartment W/ Interior Grease Trap  
501 SCALE: NONE



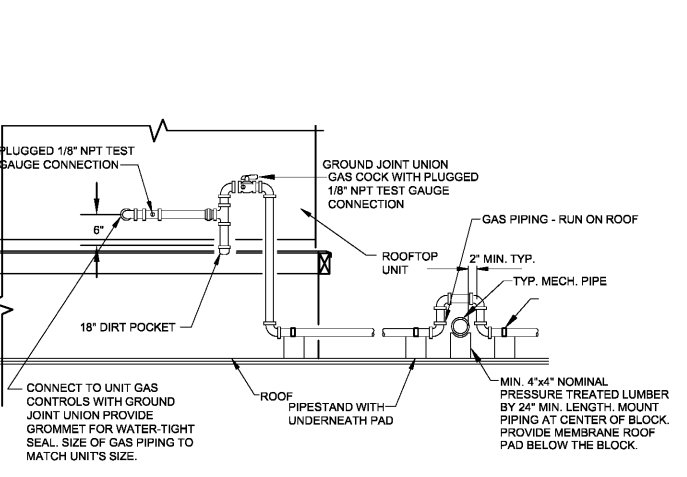
8 Equipment Gas Connection Detail  
501 SCALE: NONE



9 DOWNSPOUT SHOE INSTALLATION  
501 SCALE: NONE



10 OIL INTERCEPTOR DETAIL  
501 SCALE: NONE



11 GAS PIPING CONNECTION & SUPPORT DETAIL  
P-501 SCALE: NONE

CLAYTON COUNTY  
NEW FIRE STATION #9  
4178 OLD DIXIE  
HIGHWAY  
ATLANTA, GEORGIA  
30364  
CLAYTON COUNTY  
FIRE DEPARTMENT

**SLIKING**  
Associates, Inc.  
ENGINEERS • PLANNERS • MANAGERS  
270 Peachtree Street, N.W.  
Suite 1600  
Atlanta, GA 30303  
(M) 404.524.5800  
(F) 404.584.1799  
www.sliking.com

**Boye Architecture**  
ARCHITECTURE  
INTERIOR DESIGN  
LAND PLANNING

180 CLAIRBORNE AVE., STE 120  
DECATUR, GEORGIA  
TEL: 478.355.8814

WWW.BOYEARCHITECTURE.COM



RELEASED FOR  
CONSTRUCTION

100% CD  
DATE: 07/26/2018  
PROJECT NO: 2017017  
DRAWN BY: CN  
CHECKED BY: AYG

PLUMBING - DETAILS

P501