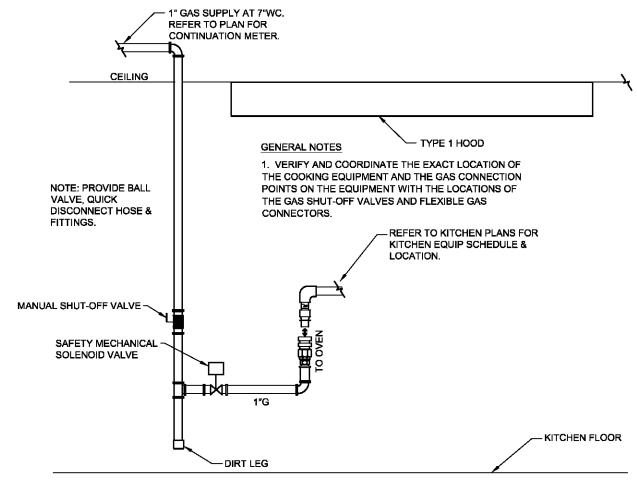
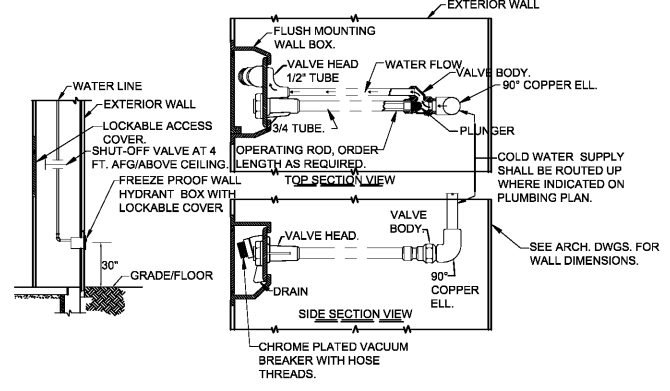


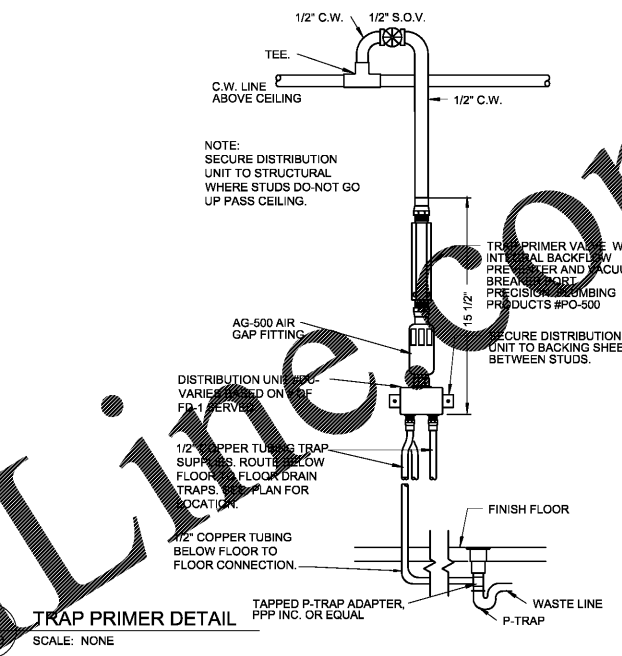
1 FLOOR DRAIN AND FLOOR SINK DETAILS
P-500 SCALE: NONE



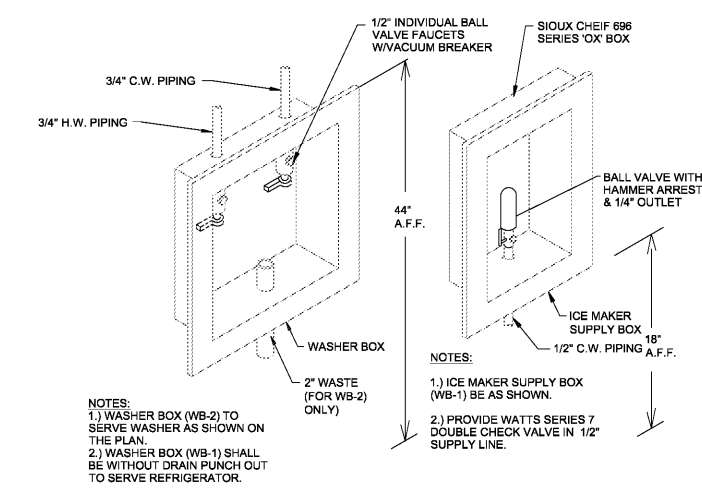
2 KITCHEN EQUIPMENT GAS PIPING DETAIL
P-500 SCALE: NONE



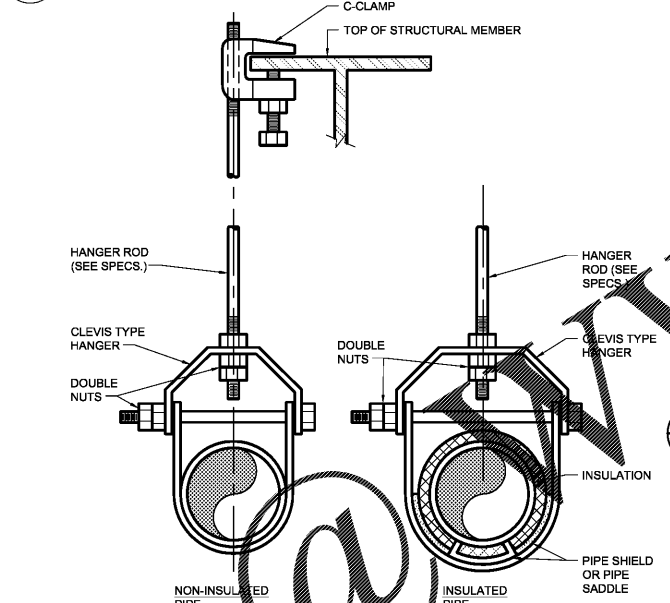
3 HOSE BIBB BOX DETAIL
P-500 SCALE: NONE



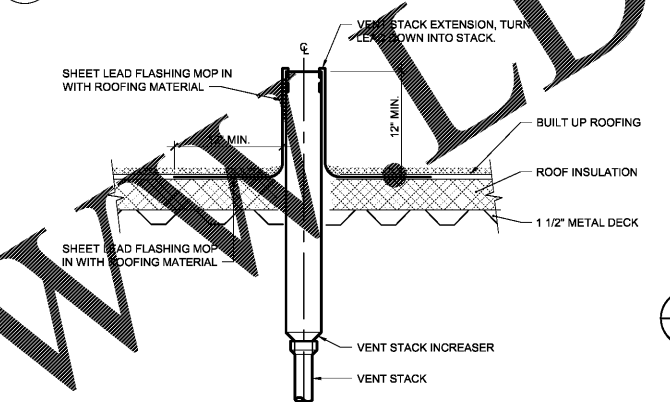
4 TRAP PRIMER DETAIL
P-500 SCALE: NONE



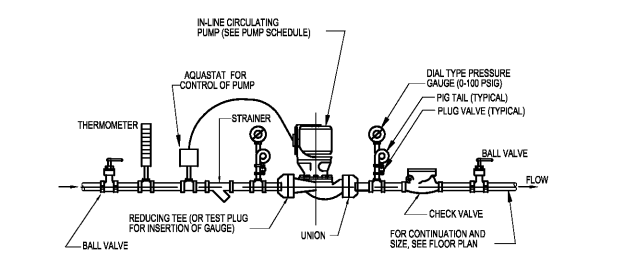
5 WATER RECESSED BOX DETAIL
P-500 SCALE: NONE



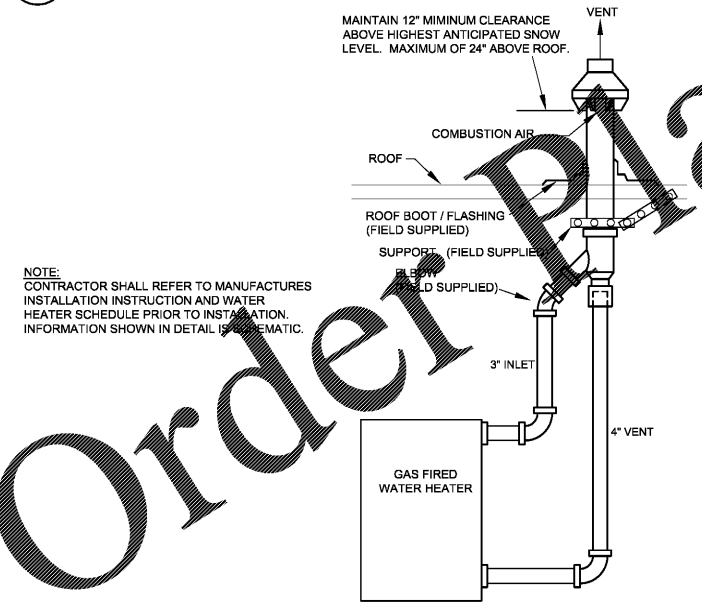
6 SINGLE PIPE HANGER DETAIL
P-500 SCALE: NONE



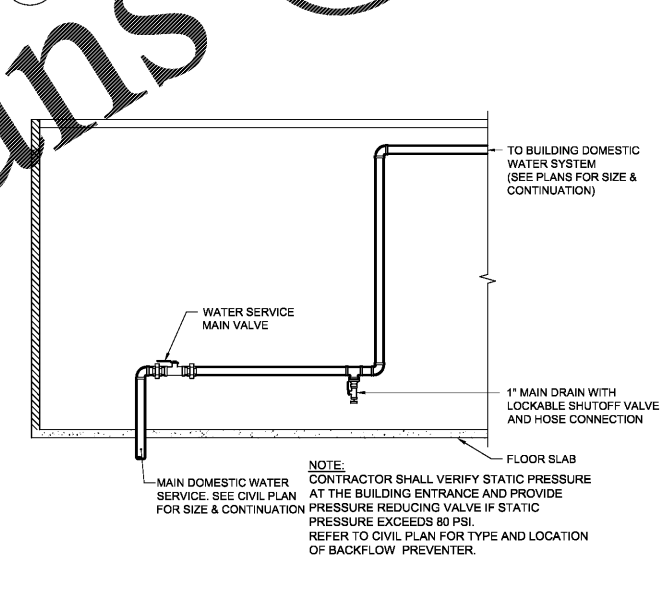
7 Plumbing Vent Thru Roof
P-500 SCALE: NONE



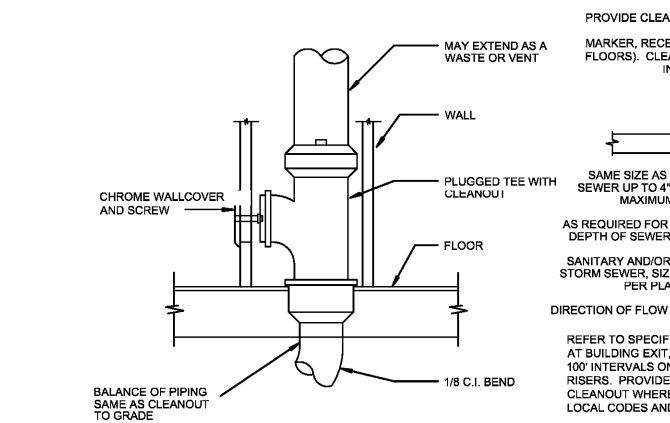
8 IN-LINE CIRCULATING PUMP
P-500 SCALE: NONE



9 WATER HEATER CONCENTRIC VENT DETAIL
P-500 SCALE: NONE



10 Domestic Water Service Diagram
P-500 SCALE: NONE



11 FLOOR & WALL CLEAN-OUT DETAILS
P-500 SCALE: NONE

Concrete - EN 1433 Class A - F

Concrete Surround Dimensions* (x)

Load (l)	A	B	C	D	E	F
4\"/>						
8\"/>						
12\"/>						

12 TRENCH DRAIN DETAIL
P-500 SCALE: NONE

Order Plans @ WWW.ALDLINE.COM

CLAYTON COUNTY
NEW FIRE STATION #9
4178 OLD DIXIE
HIGHWAY
ATLANTA, GEORGIA
30364

CLAYTON COUNTY
FIRE DEPARTMENT

SKING
Associates, Inc.
ENGINEERS • PLANNERS • MANAGERS

270 Peachtree Street, N.W.
Suite 1600
Atlanta, GA 30303
(M) 404.524.5800
(F) 404.584.1799
www.skimg.com

Boye Architecture

ARCHITECTURE
INTERIOR DESIGN
LAND PLANNING

180 CLAIRBORNE AVE., STE 120
DECATUR, GEORGIA
TEL: 478.355.8884

WWW.BOYEARCHITECTURE.COM



RELEASED FOR
CONSTRUCTION

100% CD

DATE: 07/28/2018
PROJECT NO: 2017017
DRAWN BY: CN
CHECKED BY: AYG

PLUMBING - DETAILS

P500