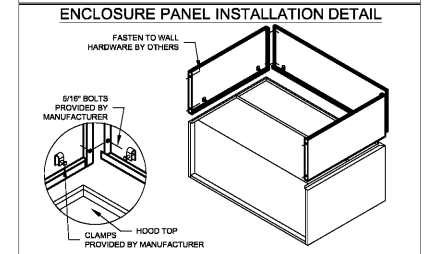
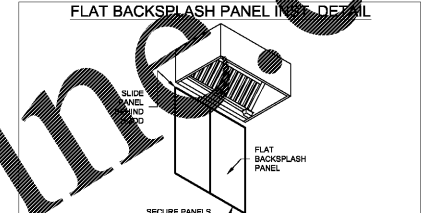
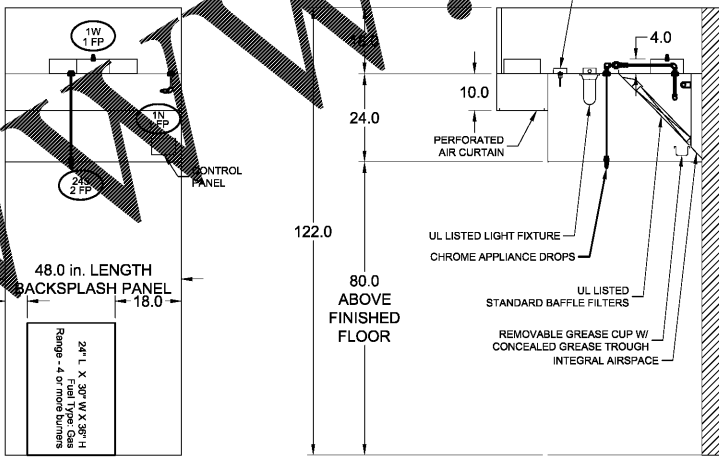
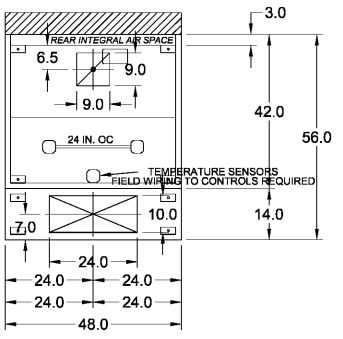


NOTE: MAKE UP UNIT TO BE MOUNTED ON THE ROOF WITH A 12" CURB.

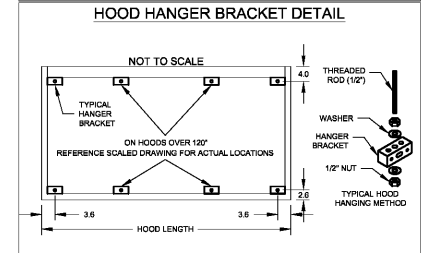
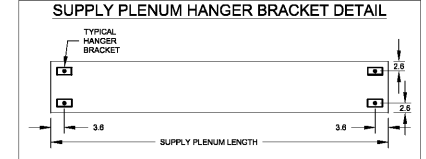
NOTE: The weatherhood and filter sections of the make-up air unit are not supported by the curb. This is by design, in order to help alleviate water infiltration issues.



HOOD HANGING HEIGHT FOR FIRE SYSTEMS
 VERIFICATION OF HOOD HANGING HEIGHT ABOVE FINISHED FLOOR (A.F.F.) IS REQUIRED FOR CORRECT PLACEMENT OF FIRE SYSTEM NOZZLES.

RECOMMENDED HANGING HEIGHT = 80" FROM FINISHED FLOOR TO LOWER FRONT EDGE OF HOOD.

OTHER HANGING HEIGHT = * FROM FINISHED FLOOR TO LOWER EDGE OF HOOD.



Rev	Date	Description

CLAYTON COUNTY
 NEW FIRE STATION #9
 4176 OLD DIXIE
 HIGHWAY
 ATLANTA, GEORGIA
 30354

CLAYTON COUNTY
 FIRE DEPARTMENT

SKING
Associates, Inc.
 ENGINEERS • PLANNERS • MANAGERS

270 Peachtree Street, N.W.
 Suite 1600
 Atlanta, GA 30303
 (M) 404.524.5800
 (F) 404.584.1799
 www.skimg.com

BOYE ARCHITECTURE
 ARCHITECTURE
 INTERIOR DESIGN
 LAND PLANNING

160 CLAIREMONT AVE., STE 120
 DECATUR, GEORGIA
 TEL: 470.355.8514

WWW.BOYERARCHITECTURE.COM



RELEASED FOR
 CONSTRUCTION

100% CD

DATE: 07/26/2018
 PROJECT NO.: 2017017
 DRAWN BY: JS
 CHECKED BY: AG

MECHANICAL -
 KITCHEN
 SCHEDULES
 AND DETAILS

M604

Order Plans @

WWW.LDILine.com