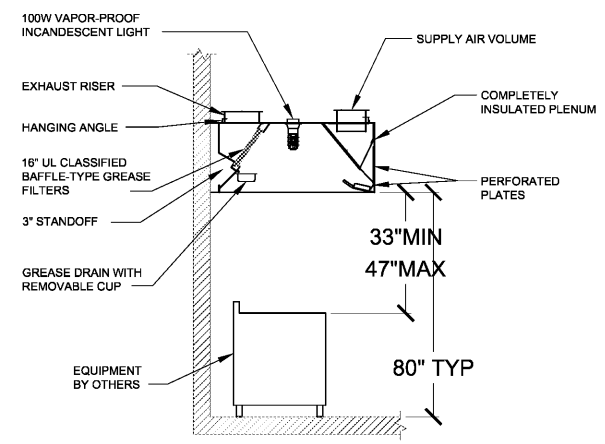
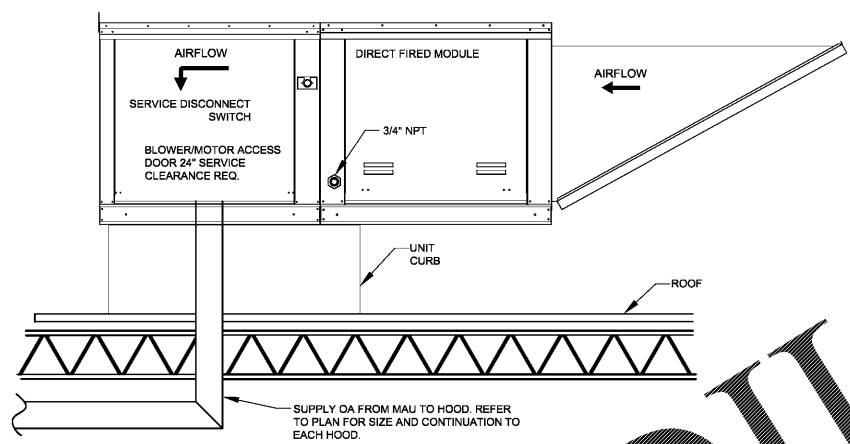


1 WALL LOUVER
M-502 SCALE: NONE

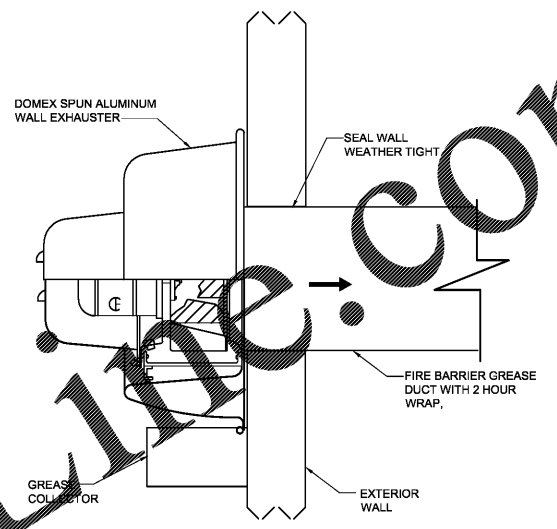
NOTES:
1. ENTIRE INSTALLATION OF GREASE HOOD & DUCTWORK SHALL COMPLY WITH 2012 INTERNATIONAL MECHANICAL CODE.
2. REFER TO KITCHEN PLANS (SHEETS M602, M603 & M604) FOR MORE INFORMATION.
3. REFER TO MECHANICAL PLAN FOR DUCTING ARRANGEMENT AND DUCT SIZE AT HOOD.
4. PROVIDE ROUND DOUBLE WALL GREASE DUCT BY CAPTIVE AIRE MODEL DW-2R



2 GREASE HOOD
M-502 SCALE: NONE

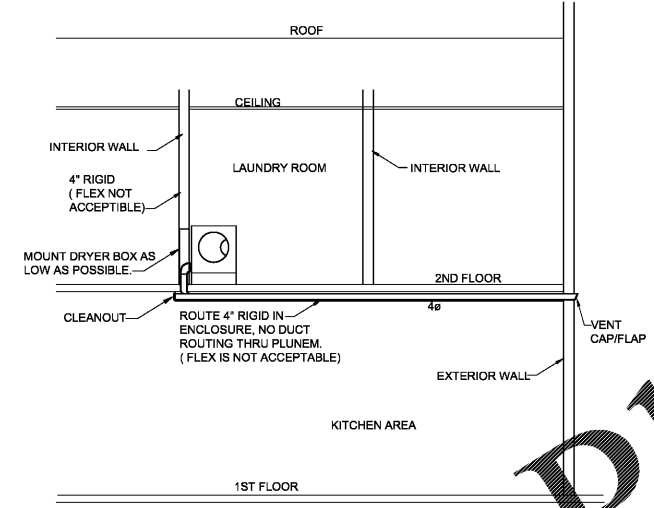


3 MAU WITH DOWN DISCHARGE DETAIL
M-502 SCALE: NONE

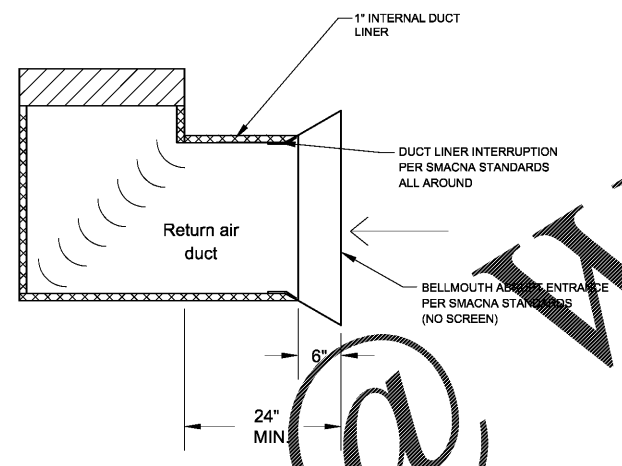


4 WALL GREASE EXHAUSTER DETAIL
M-502 SCALE: NONE

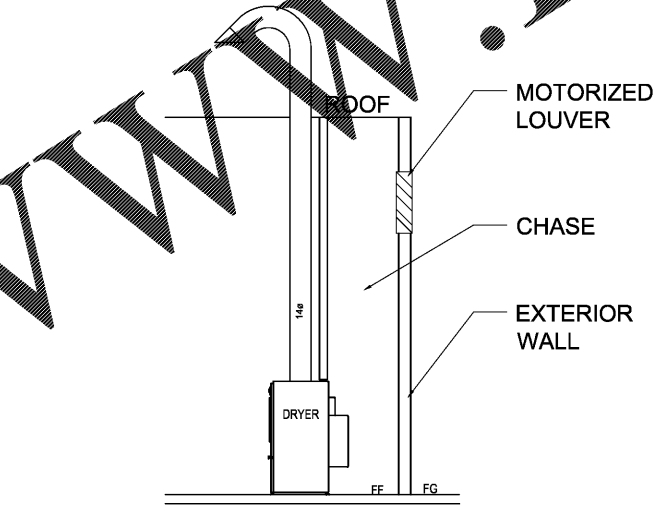
DRYER VENT BOX INSTALLATION
ALL CONCEALED DRYER DUCTING SHALL BE ALUMINUM, MIN. OF 4" IN DIAMETER. NO FLEXIBLE DUCT IS ALLOWED IN CONCEALED AREAS. SEAL ALL JOINTS WITH DUCT ADHESIVE OR MASTIC AND UL 181 FOIL BACKED PRESSURE SENSITIVE TAPE. DUCT JOINTS SHALL BE INSTALLED SO THAT THE MALE END OF THE DUCT POINTS IN THE DIRECTION OF THE AIRFLOW. RIVETS OR SCREWS SHALL NOT BE USED.
THE DRYER BOX RECEPTACLE SHALL BE METAL AND BE INSTALLED AS LOW AS POSSIBLE TO PERMIT THE COLLECTION OF THE DRYER TRANSITION HOSE. THE DRYER BOX SHOULD BE LOCATED AT OR NEAR THE VENT OUTLET OF THE PROPOSED DRYER. RIGID DUCT SHOULD PENETRATE THE DRYER BOX PORT 2" TO PROVIDE CONNECTION AND STORAGE OF TRANSITION HOSE. THE DRYER BOX SHALL BE CAULKED AND PAINTED.
LENGTH OF CONCEALED RIGID METAL DUCTING SHALL NOT EXCEED THE MANUFACTURER'S RECOMMENDED LENGTH. VERIFY APPLIANCE MANUFACTURER'S RECOMMENDATIONS FOR ANY ADDITIONAL VENTING REQUIREMENTS.



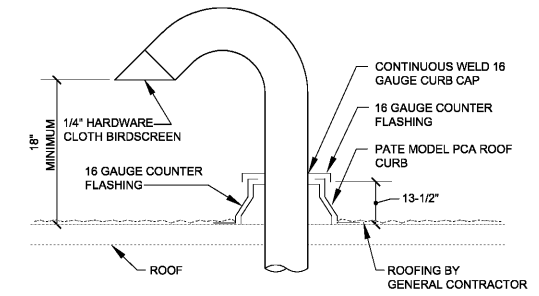
5 RESIDENTIAL DRYER VENT DETAIL
M-502 SCALE: NONE



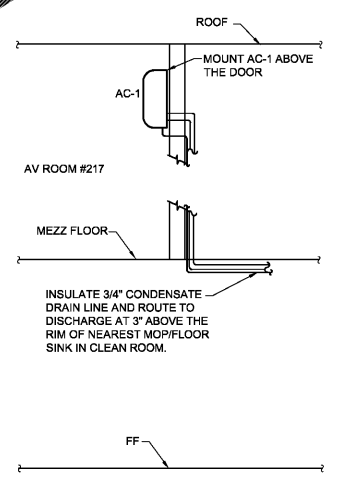
6 TYPICAL RA DUCT OPENING DETAIL
M-502 SCALE: NONE



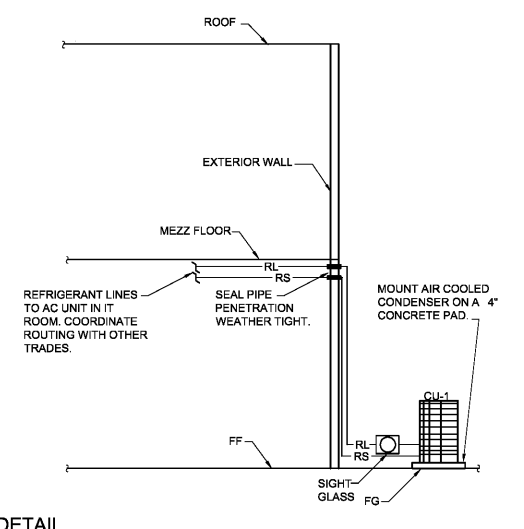
7 DRYER VENT DETAIL
M-502 SCALE: NONE



8 GOOSENECK THRU ROOF DETAIL
M-502 SCALE: NONE



9 DUCTLESS SPLIT SYSTEM (CU-1/AC-1) PIPING DETAIL
M-502 SCALE: NONE



10 DUCTLESS SPLIT SYSTEM (CU-1/AC-1) PIPING DETAIL
M-502 SCALE: NONE

Order Plans

WWW.LDILLINE.COM

CLAYTON COUNTY
NEW FIRE STATION #9
4178 OLD DIXIE
HIGHWAY
ATLANTA, GEORGIA
30364
CLAYTON COUNTY
FIRE DEPARTMENT

SLIKING
Associates, Inc.
ENGINEERS • PLANNERS • MANAGERS
270 Peachtree Street, N.W.
Suite 1600
Atlanta, GA 30303
(M) 404.524.5800
(F) 404.584.1799
www.sliking.com

Boye Architecture
ARCHITECTURE
INTERIOR DESIGN
LAND PLANNING

160 CLAREMONT AVE., STE 120
DECATUR, GEORGIA
TEL: 478.355.8894

WWW.BOYEARCHITECTURE.COM



RELEASED FOR CONSTRUCTION

DATE: 07/26/2018
PROJECT NO: 2017017
DRAWN BY: JS
CHECKED BY: AG

MECHANICAL -
DETAILS

M502