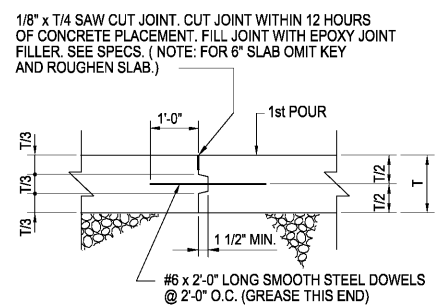
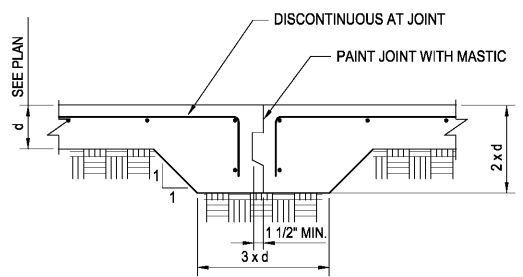


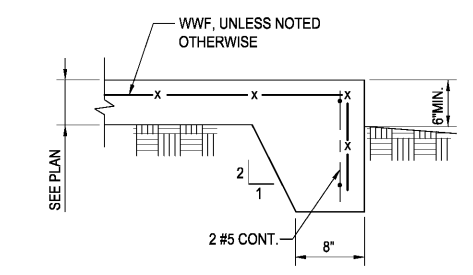
A TYP. FLOOR JOINT DETAIL
Scale: N.T.S.



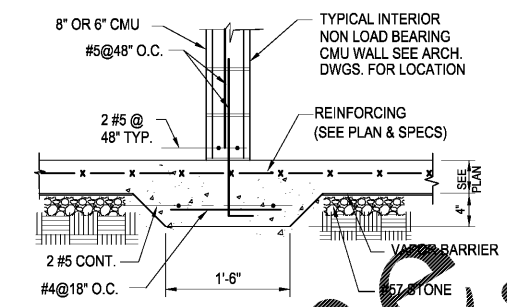
B TYP. FLOOR JOINT DETAIL
Scale: N.T.S.



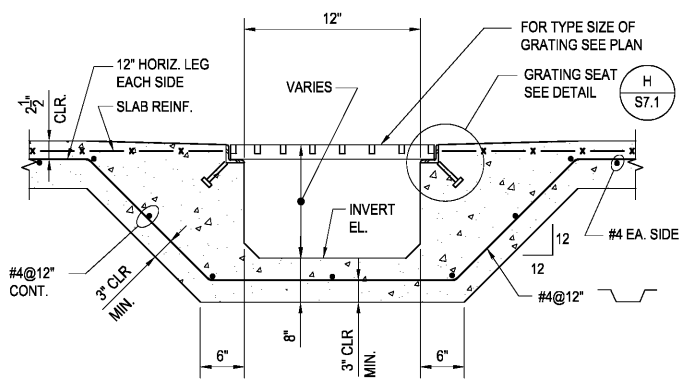
D TYPICAL FLOOR JOINT DETAIL AT THICKENED SLAB
Scale: N.T.S.



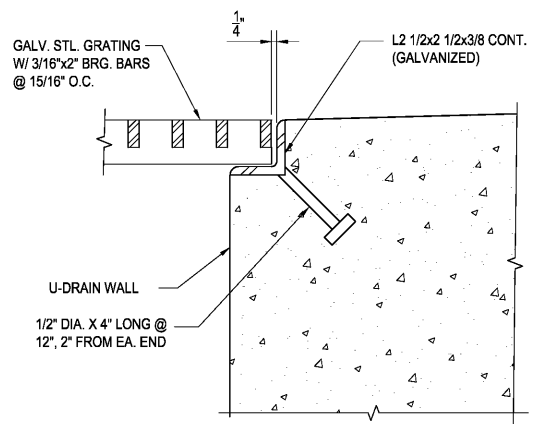
E TYPICAL TURNED DOWN SLAB
Scale: N.T.S.



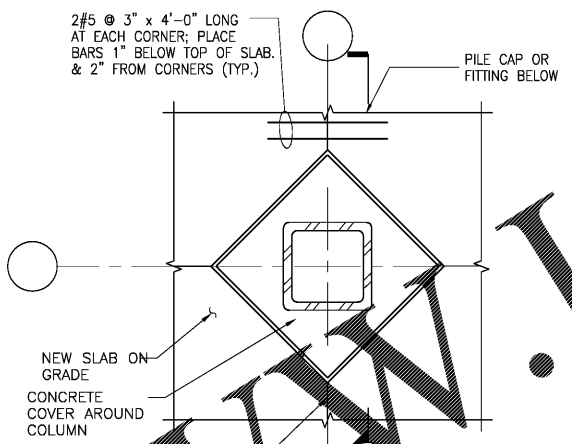
F THICKENED SLAB DETAIL @ NON-LOAD BEARING CMU WALL
Scale: NONE



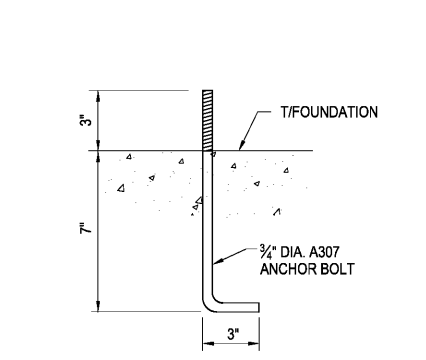
G TYP. TRENCH DRAIN SECTION
Scale: 1\"/>



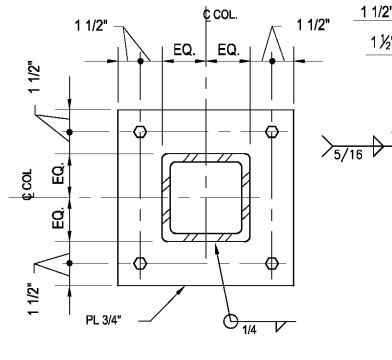
H TRENCH DRAIN DETAIL
Scale: 3\"/>



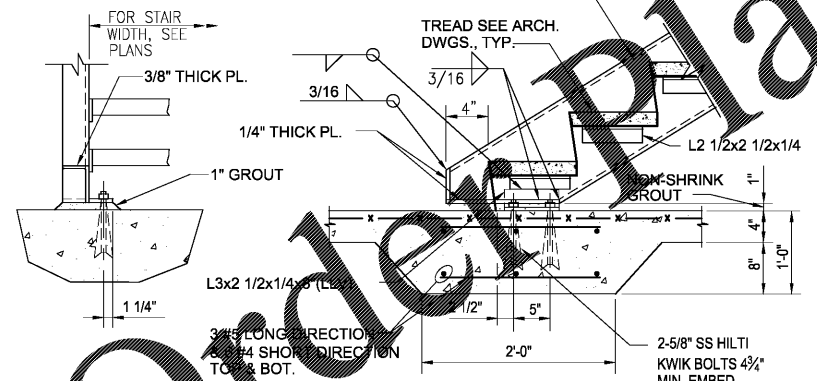
K TYP. COLUMN FOOTING DETAIL
Scale: N.T.S.



L ANCHOR BOLT DETAIL
Scale: N.T.S.



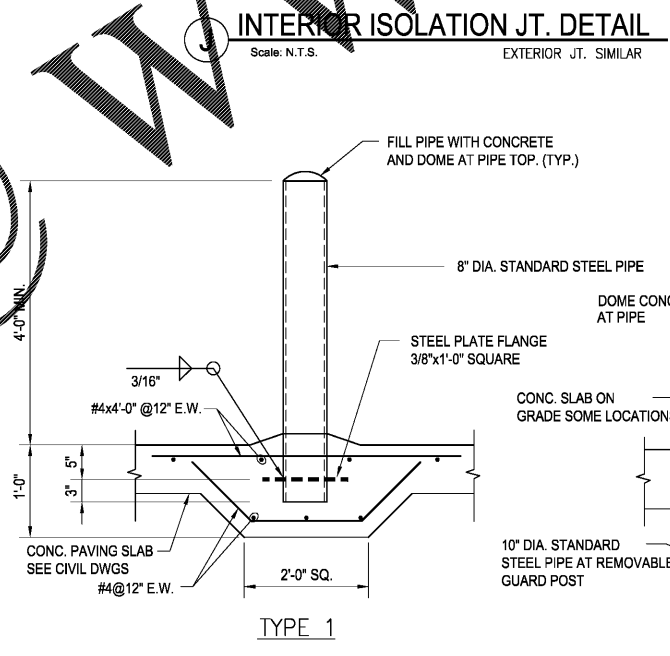
M BASE PLATE DETAIL
Scale: N.T.S.



N STAIR BOTTOM CONNECTION
Scale: N.T.S.

DEVELOPMENT AND SPLICE LENGTH
F_c = 4500

BAR SIZE	TOP BARS		OTHER BARS	
	l _d (in)	CLASS B SPLICE (in)	l _d (in)	CLASS B SPLICE (in)
5	30	38	22	30
6	36	46	28	36
7	52	66	40	52
8	60	76	46	60
9	66	86	52	66
10	74	96	56	74
11	80	104	62	80



P GUARD POST (BOLLARD) DETAIL
Scale: NONE

FOOTING SCHEDULE

MARK	SIZE	REINFORCING	REMARKS
F3	3'-0\"/>		

Rev	Date	Description

CLAYTON COUNTY
NEW FIRE STATION #9
4176 OLD DIXIE
HIGHWAY
ATLANTA, GEORGIA
30354

CLAYTON COUNTY
FIRE DEPARTMENT



4592 Kinsdale Drive
Mableton, Georgia 30126
Phone: 404-274-3004



ARCHITECTURE
INTERIOR DESIGN
LAND PLANNING

160 CLAIREMONT AVE., STE 120
DECATUR, GEORGIA
TEL: 470.355.8514

WWW.BOYEARCHITECTURE.COM



100% CONSTRUCTION PLANS
RELEASED FOR
CONSTRUCTION

DATE: 07/31/18
PROJECT NO.: 2017-81
DRAWN BY: HB
CHECKED BY: VW

TYPICAL DETAILS

S-0.2