

ROOM FINISH SCHEDULE							
NO.	ROOM NAME	FLOOR	BASE	WALLS	CEILING	CLG. HT.	REMARKS
FIRST FLOOR							
100	FRONT LOBBY		STAINED & SEALED CONCRETE	RUBBER BASE	GYP. BD. PAINT/ CHU PAINT	EXPOSED CEILING	1. PAINT ALL STEEL STRUCTURE & DUCTWORK TYPICAL AT ALL EXPOSED CEILING 2. SEAL ALL FINISHED CONCRETE FLOORS BEFORE STAIN OR PAINTING (TYP)
101	OFFICE		SEALED CONCRETE	RUBBER BASE	GYP. BD. PAINT/ CHU PAINT	EXPOSED CEILING	
102	TOILET		SEALED CONCRETE	RUBBER BASE	GYP. BD. PAINT/ CHU PAINT	MOISTURE RESISTANT ACOUSTIC CEILING	
103	STAIR		SEALED CONCRETE	RUBBER BASE	GYP. BD. PAINT/ CHU PAINT	EXPOSED CEILING	
104	DAY ROOM		SEALED CONCRETE	RUBBER BASE	GYP. BD. PAINT/ CHU PAINT	EXPOSED CEILING	
105	KITCHEN AREA		SEALED CONCRETE	RUBBER BASE	GYP. BD. PAINT/ CHU PAINT	EXPOSED CEILING	
105A	PANTRY		SEALED CONCRETE	RUBBER BASE	GYP. BD. PAINT/ CHU PAINT	EXPOSED CEILING	
105B	PANTRY		SEALED CONCRETE	RUBBER BASE	GYP. BD. PAINT/ CHU PAINT	EXPOSED CEILING	
105C	PANTRY		SEALED CONCRETE	RUBBER BASE	GYP. BD. PAINT/ CHU PAINT	EXPOSED CEILING	
106	CORRIDOR		SEALED CONCRETE	RUBBER BASE	GYP. BD. PAINT/ CHU PAINT	EXPOSED CEILING	
107	EXERCISE RM		SPORTS RUBBER FLOOR	RUBBER BASE	GYP. BD. PAINT/ CHU PAINT	EXPOSED CEILING	
108	MECH		SEALED CONCRETE	RUBBER BASE	GYP. BD. PAINT/ CHU PAINT	EXPOSED CEILING	
109	TOILET		SEALED CONCRETE	RUBBER BASE	GYP. BD. PAINT/ CHU PAINT	MOISTURE RESISTANT ACOUSTIC CEILING	
110	STAIR		SEALED CONCRETE	RUBBER BASE	GYP. BD. PAINT/ CHU PAINT	EXPOSED CEILING	
111	APPARATUS BAY		SEALED CONCRETE	RUBBER COVE	CHU PAINT WITH EGGSHELL FINISH	EXPOSED CEILING	8'-0" TO 10'-0"
112	VEH STORAGE		SEALED CONCRETE	RUBBER BASE	CHU PAINT WITH EGGSHELL FINISH	MOISTURE RESISTANT ACOUSTIC CEILING	8'-6"
113	EXTRACTOR HOSE & DRYER AREA		SEALED CONCRETE	RUBBER BASE	CHU PAINT WITH EGGSHELL FINISH	MOISTURE RESISTANT ACOUSTIC CEILING	8'-0" TO 10'-0"
114	CLEAN RM & TURN OUT GEAR		SEALED CONCRETE	RUBBER BASE	CHU PAINT WITH EGGSHELL FINISH	MOISTURE RESISTANT ACOUSTIC CEILING	8'-6"
115	MECH RM		SEALED CONCRETE	RUBBER BASE	CHU PAINT	EXPOSED CEILING	8'-6"
116	UTILITY/COMM RM		SEALED CONCRETE	RUBBER BASE	CHU PAINT	EXPOSED CEILING	8'-6"
117	IT ROOM		SEALED CONCRETE	RUBBER BASE	CHU PAINT	ACOUSTIC CEILING	8'-6"
SECOND FLOOR							
200	LOUNGE		VINYL TILE	RUBBER BASE	GYP. BD. PAINT/ CHU PAINT	MOISTURE RESISTANT ACOUSTIC CEILING	8'-0"
200A	BALCONY		CERAMIC TILE	NONE	BRICK/GLASS	METAL PANEL SOFFIT	VARIABLE PROVIDE SLOPED TILE FLOOR OVER WATERPROOFING MEMBRANE
201	ROOM #1		VINYL TILE	RUBBER BASE	GYP. BD. PAINT/ CHU PAINT	MOISTURE RESISTANT ACOUSTIC CEILING	8'-0"
202	ROOM #2		VINYL TILE	RUBBER BASE	GYP. BD. PAINT/ CHU PAINT	MOISTURE RESISTANT ACOUSTIC CEILING	8'-0"
203	ROOM #3		VINYL TILE	RUBBER BASE	GYP. BD. PAINT/ CHU PAINT	MOISTURE RESISTANT ACOUSTIC CEILING	8'-0"
204	ROOM #4		VINYL TILE	RUBBER BASE	GYP. BD. PAINT/ CHU PAINT	MOISTURE RESISTANT ACOUSTIC CEILING	8'-0"
205	LAUNDRY		CERAMIC TILE	RUBBER BASE	GYP. BD. PAINT/ CHU PAINT	MOISTURE RESISTANT ACOUSTIC CEILING	8'-0"
206	WOMEN		CERAMIC TILE	TILE BASE	GYP. BD. PAINT/TILE	MOISTURE RESISTANT ACOUSTIC CEILING	8'-0" INSTALL THE CERAMIC WALL TILE ON ALL WET WALLS INCLUDING SHOWER WALLS ADD CERAMIC TILE FLOOR FINISH OVER SHOWER PADD/BASIN IN SHOWER RECEPTACLES
207	MEN		CERAMIC TILE	TILE BASE	GYP. BD. PAINT/TILE	MOISTURE RESISTANT ACOUSTIC CEILING	8'-0" INSTALL THE CERAMIC WALL TILE ON ALL WET WALLS INCLUDING SHOWER WALLS ADD CERAMIC TILE FLOOR FINISH OVER SHOWER PADD/BASIN IN SHOWER RECEPTACLES
208	CORRIDOR		VINYL TILE	RUBBER BASE	GYP. BD. PAINT/ CHU PAINT	MOISTURE RESISTANT ACOUSTIC CEILING	8'-0"
209	MECHSTOR		VINYL TILE	RUBBER BASE	GYP. BD. PAINT/ CHU PAINT	ACOUSTIC CEILING	8'-0"
210	UTIL/CLOSET		VINYL TILE	RUBBER BASE	GYP. BD. PAINT/ CHU PAINT	ACOUSTIC CEILING	8'-0"
211	IT CLOSET		VINYL TILE	RUBBER BASE	GYP. BD. PAINT/ CHU PAINT	ACOUSTIC CEILING	8'-0"
212	ROOM #5		VINYL TILE	RUBBER BASE	GYP. BD. PAINT/ CHU PAINT	MOISTURE RESISTANT ACOUSTIC CEILING	8'-0"
213	ROOM #6		VINYL TILE	RUBBER BASE	GYP. BD. PAINT/ CHU PAINT	MOISTURE RESISTANT ACOUSTIC CEILING	8'-0"
214	ROOM #7		VINYL TILE	RUBBER BASE	GYP. BD. PAINT/ CHU PAINT	MOISTURE RESISTANT ACOUSTIC CEILING	8'-0"
215	ROOM #8		VINYL TILE	RUBBER BASE	GYP. BD. PAINT/ CHU PAINT	MOISTURE RESISTANT ACOUSTIC CEILING	8'-0"
216	ROOM #9		VINYL TILE	RUBBER BASE	GYP. BD. PAINT/ CHU PAINT	MOISTURE RESISTANT ACOUSTIC CEILING	8'-0"

DOOR SCHEDULE --											
DOOR NO.	DOOR			FRAME				HARDWARE SET #	LABEL		
	WIDTH	HEIGHT	THICK.	MATERIAL	TYPE	MATERIAL	TYPE				
FIRST FLOOR											
100	(2) 3'-0"	8'-0"	1 3/4"	ALUM/GLASS	D	ALUM	2	STONEFRONT			
101	3'-0"	7'-0"	1 3/4"	WOOD	A	HOLLOW METAL	1	H-2	J-2		6
102	3'-0"	7'-0"	1 3/4"	WOOD	A	HOLLOW METAL	1	H-2	J-2		5
103	3'-0"	7'-0"	1 3/4"	WOOD	F	HOLLOW METAL	1	H-5	J-5		1A C
104	3'-0"	7'-0"	1 3/4"	WOOD	F	HOLLOW METAL	1	H-2	J-2		1A
105	3'-0"	7'-0"	1 3/4"	METAL	G	HOLLOW METAL	1	H-2	J-2		6B
106	3'-0"	7'-0"	1 3/4"	WOOD	G	HOLLOW METAL	1	H-2	J-2		6B
107	3'-0"	7'-0"	1 3/4"	WOOD	G	HOLLOW METAL	1	H-2	J-2		6B
108	3'-0"	7'-0"	1 3/4"	ALUM/GLASS	H	ALUM	1	H-1	J-1	T-1	3
109	3'-0"	7'-0"	1 3/4"	WOOD	H	HOLLOW METAL	1	H-2	J-2		1A
110	3'-0"	7'-0"	1 3/4"	WOOD	A	HOLLOW METAL	1	H-2	J-2		6
111	3'-0"	7'-0"	1 3/4"	WOOD	A	HOLLOW METAL	1	H-2	J-2		5
112	3'-0"	7'-0"	1 3/4"	WOOD	A	HOLLOW METAL	1	H-2	J-2		2A C
113	3'-0"	7'-0"	1 3/4"	INSULATED STL	A	HOLLOW METAL	1	H-1	J-1	T-1	2
114	3'-0"	7'-0"	1 3/4"	METAL	F	HOLLOW METAL	1	H-5	J-5		1A C
115	3'-0"	7'-0"	1 3/4"	INSULATED STL	A	HOLLOW METAL	1	H-4	J-4	T-1	2
116	12'-0"	14'-0"	2"	ALUM/GLASS	I	ALUM	CUSTOM	CUSTOM	CUSTOM	T-1	CUSTOM
117	12'-0"	14'-0"	2"	ALUM/GLASS	I	ALUM	CUSTOM	CUSTOM	CUSTOM	T-1	CUSTOM
118	3'-0"	7'-0"	1 3/4"	METAL	A	HOLLOW METAL	1	H-2	J-2		6
119	3'-0"	7'-0"	1 3/4"	METAL	A	HOLLOW METAL	1	H-2	J-2		6
120	3'-0"	7'-0"	1 3/4"	WOOD	A	HOLLOW METAL	1	H-2	J-2		6
120A	3'-0"	7'-0"	1 3/4"	INSULATED STL	A	HOLLOW METAL	1	H-1	J-1	T-1	6
120B	3'-0"	7'-0"	1 3/4"	METAL	F	HOLLOW METAL	1	H-5	J-5		1A
121	12'-0"	14'-0"	2"	ALUM/GLASS	J	ALUM	CUSTOM	CUSTOM	CUSTOM	CUSTOM	CUSTOM
122	12'-0"	14'-0"	2"	ALUM/GLASS	J	ALUM	CUSTOM	CUSTOM	CUSTOM	CUSTOM	CUSTOM
123	3'-0"	7'-0"	1 3/4"	METAL	A	HOLLOW METAL	1	H-2	J-2		2A C
124	3'-0"	7'-0"	1 3/4"	ALUM/GLASS	H	ALUM	H-2	J-1	T-1	2	C
SECOND FLOOR											
200	3'-0"	8'-0"	1 3/4"	ALUM/GLASS	H	ALUM	2	STONEFRONT			2
201	3'-0"	7'-0"	1 3/4"	WOOD	A	HOLLOW METAL	1	H-2	J-2		3
202	3'-0"	7'-0"	1 3/4"	WOOD	A	HOLLOW METAL	1	H-2	J-2		6
203	3'-0"	7'-0"	1 3/4"	WOOD	A	HOLLOW METAL	1	H-2	J-2		6
204	3'-0"	7'-0"	1 3/4"	WOOD	A	HOLLOW METAL	1	H-2	J-2		6
205	3'-0"	7'-0"	1 3/4"	WOOD	A	HOLLOW METAL	1	H-2	J-2		6
206	3'-0"	7'-0"	1 3/4"	WOOD	A	HOLLOW METAL	1	H-2	J-2		6
207	3'-0"	7'-0"	1 3/4"	WOOD	A	HOLLOW METAL	1	H-2	J-2		6
208	3'-0"	7'-0"	1 3/4"	WOOD	A	HOLLOW METAL	1	H-2	J-2		6
209	3'-0"	7'-0"	1 3/4"	WOOD	A	HOLLOW METAL	1	H-2	J-2		6
210	3'-0"	7'-0"	1 3/4"	WOOD	A	HOLLOW METAL	1	H-2	J-2		6
211	3'-0"	7'-0"	1 3/4"	WOOD	A	HOLLOW METAL	1	H-2	J-2		6
212	3'-0"	7'-0"	1 3/4"	WOOD	A	HOLLOW METAL	1	H-2	J-2		6
213	3'-0"	7'-0"	1 3/4"	WOOD	A	HOLLOW METAL	1	H-2	J-2		6
214	3'-0"	7'-0"	1 3/4"	WOOD	A	HOLLOW METAL	1	H-2	J-2		6A
215	3'-0"	7'-0"	1 3/4"	WOOD	A	HOLLOW METAL	1	H-2	J-2		1A
216	3'-0"	7'-0"	1 3/4"	WOOD	A	HOLLOW METAL	1	H-2	J-2		2A C
217	3'-0"	7'-0"	1 3/4"	WOOD	A	HOLLOW METAL	1	H-2	J-2		2A C

**DOOR SCHEDULE NOTES**

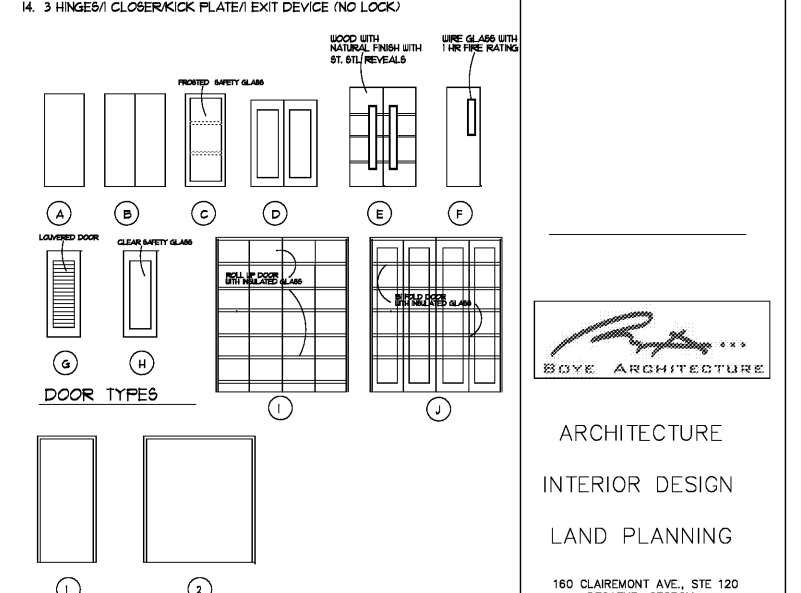
1. PAINT ALL INTERIOR DOOR FRAMES TO MATCH WALLS.
2. PROVIDE OAK NATURAL FINISH OR OTHER NATURAL WOOD FINISH ON ALL INTERIOR WOOD DOORS. SAMPLE TO BE APPROVED BY OWNER OR ARCHITECT.
3. PAINT ALL METAL DOORS
4. ALL DOOR HARDWARE & MISCELLANEOUS ACCESSORIES TO MEET ADA GUIDELINES.

**DOOR HARDWARE SCHEDULE-SET NUMBERS**  
(SEE SPECS FOR DETAILED HARDWARE SET NUMBER SPECIFICATIONS)

1. 6 HINGES/2 CLOSERS/EXIT DEVICE W/ LOCK SET/ KICK PLATE
2. 3 HINGES/1 CLOSER/1 EXIT DEVICE W/ LOCK SET/ TRICK PLATE
- 2A. 3 HINGES/1 CLOSER/EXIT DEVICE (NO LOCKSET)/ KICK PLATE
3. 3 HINGES/1 LOCKSET/ CLOSER
4. 3 HINGES/1 CLOSER/1 FULL PLATE/ FULL PLATE/ KICK PLATE
5. 6 HINGES/1 PRIVACY LATCH/ SAFETY (EMERGENCY) OPEN / FULL PLATE / 1 PUSH PLATE
6. 6 HINGES/ LOCKSET
- 6A. 6 HINGES/ LOCKSET/ CLOSER
- 6B. 3 HINGES/ LOCKSET W/ COMBINATION LOCK
7. 3 HINGES/ PUSH HANDLE/PUSH HANDLE
- 7A. 3 HINGES/ FULL HANDLE/PUSH HANDLE/CLOSER
8. 6 HINGES/ 2 FULL HANDLE/2 PUSH HANDLE
9. 6 HINGES/ 1 LOCKSET/ FULL LEVER & 1 PUSH LEVER ON ACTIVE DOOR
10. INACTIVE DOOR TO BE LOCKED
11. 6 HINGES/ 1 LOCKSET/ CLOSER ON ACTIVE DOOR
12. 6 HINGES/ 2 CLOSERS/ EXIT DEVICE (NO LOCK)
13. 6 HINGES/ 1 PRIVACY LATCH W/ SAFETY (EMERGENCY) OPEN / FULL PLATE / 1 PUSH PLATE
14. 3 HINGES/ CLOSER/KICK PLATE/ EXIT DEVICE (NO LOCK)

**CLAYTON COUNTY NEW FIRE STATION #9 & NEW FIRE STATION #15**

CLAYTON COUNTY FIRE DEPARTMENT

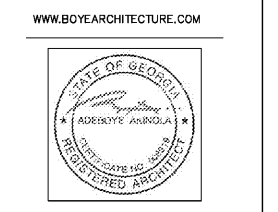
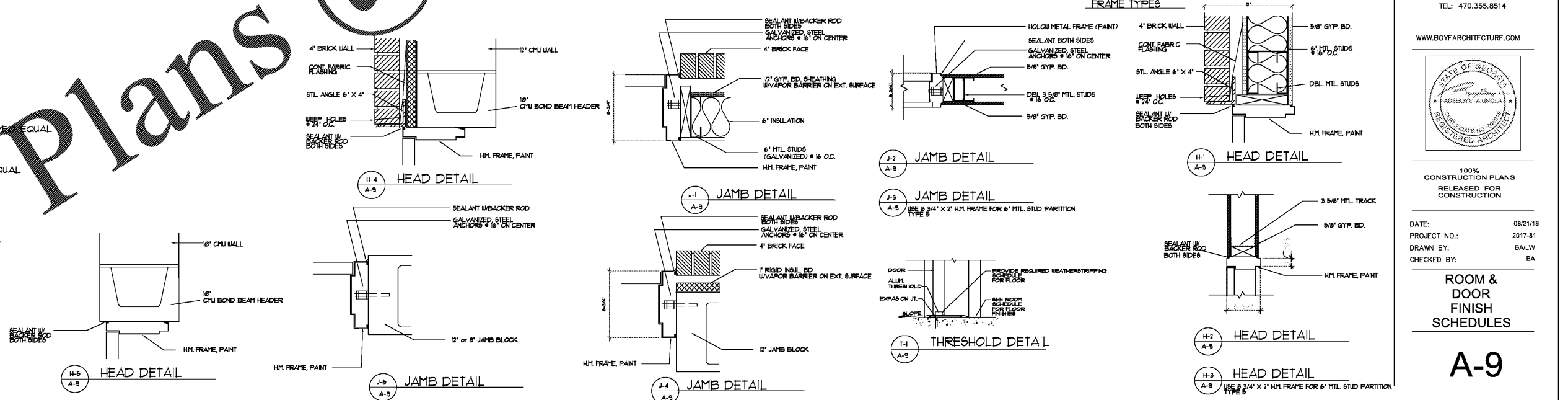


1. ARCHITECT TO SELECT & APPROVE ALL COLORS OF FINISHES OF ROOMS AND MISC. BUILT-INS. OWNER TO GIVE FINAL APPROVAL.

SPECIFIED MFGS (SEE MATERIAL SELECTIONS ON SHIT A 10 & SEE WRITTEN SPECIFICATIONS FOR MORE DETAIL)

- CERAMIC TILE - DALTILE OR APPROVED EQUAL MARBLE TILE - DALTILE OR APPROVED EQUAL
- PAINT - SHERWIN WILLIAMS OR APPROVED EQUAL
- CARPET - SHAW FLOORS OR APPROVED EQUAL
- ACOUSTICAL CLG TILE W/ RECESSED GRID - ARMSTRONG OR APPROVED EQUAL
- SOLID SURFACE COUNTERTOP - CORIAN OR APPROVED EQUAL
- TOILET PARTITIONS - GLOBAL INDUSTRIAL OR APPROVED EQUAL
- VINYL COMPOSITION TILE - ARMSTRONG FLOORING OR APPROVED EQUAL

**Order Plans @**



100% CONSTRUCTION PLANS RELEASED FOR CONSTRUCTION

DATE: 08/21/18  
PROJECT NO.: 2017-81  
DRAWN BY: BAL/W  
CHECKED BY: BA

**ROOM & DOOR FINISH SCHEDULES**

**A-9**