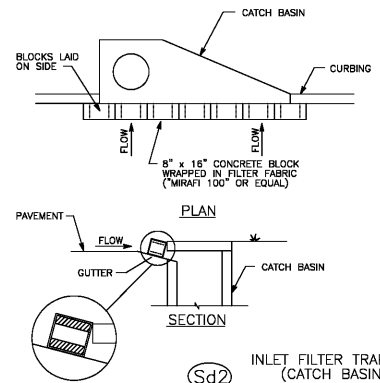


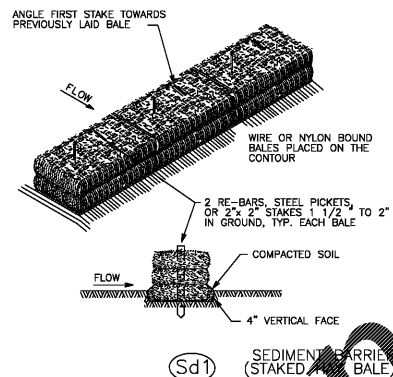
CONSTRUCTION SPECIFICATIONS

- ALL TREES, BRUSH, STUMPS, OBSTRUCTIONS, AND OTHER OBJECTIONABLE MATERIAL SHALL BE REMOVED AND DISPOSED OF SO AS NOT TO INTERFERE WITH THE PROPER FUNCTIONING OF THE DIVERSION.
- THE DIVERSION SHALL BE EXCAVATED OR SHAPED TO LINE, GRADE, AND CROSS SECTION AS REQUIRED TO MEET THE CRITERIA SPECIFIED HEREIN, AND BE FREE OF IRREGULARITIES WHICH WILL IMPEDE NORMAL FLOW.
- FILLS SHALL BE COMPACTED AS NEEDED TO PREVENT UNEQUAL SETTLEMENT THAT WOULD CAUSE DAMAGE IN THE COMPLETED DIVERSION.
- ALL EARTH REMOVED AND NOT NEEDED IN CONSTRUCTION SHALL BE SPREAD OR DISPOSED OF SO THAT IT WILL NOT INTERFERE WITH THE FUNCTIONING OF THE DIVERSION.
- STABILIZATION SHALL BE DONE ACCORDING TO THE APPROPRIATE STANDARD AND SPECIFICATIONS FOR VEGETATIVE PRACTICES.
  - FOR DESIGN VELOCITIES OF LESS THAN 3.5 FT. PER SEC., SEEDING AND MULCHING MAY BE USED FOR THE ESTABLISHMENT OF THE VEGETATION. IT IS RECOMMENDED THAT, WHEN CONDITIONS PERMIT, TEMPORARY DIVERSIONS OR OTHER MEANS BE USED TO PREVENT WATER FROM ENTERING THE DIVERSION DURING THE ESTABLISHMENT OF THE VEGETATION.
  - FOR DESIGN VELOCITIES OF MORE THAN 3.5 FT. PER SEC., THE DIVERSION SHALL BE STABILIZED WITH SOD, WITH SEEDING PROTECTED BY JUTE OR EXCELSIOR MATTING OR WITH SEEDING AND MULCHING INCLUDING TEMPORARY DIVERSION OF WATER UNTIL THE VEGETATION IS ESTABLISHED.

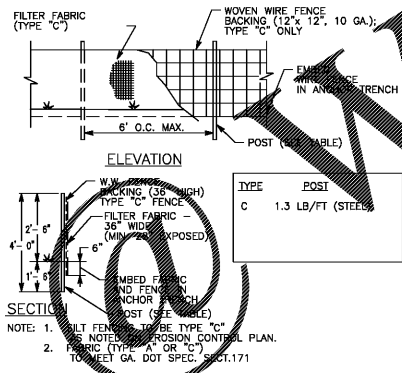
(Di) DIVERSION



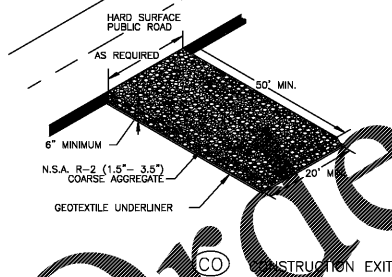
(Sd2) INLET FILTER TRAP (CATCH BASIN)



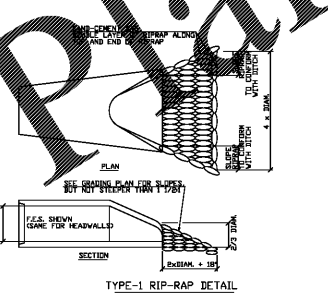
(Sd1) SEDIMENT BARRIER (STAKED BALE)



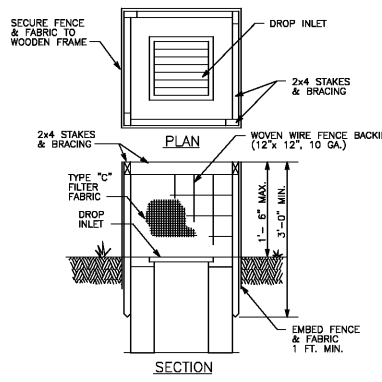
(Sd1) SEDIMENT BARRIER (SILT FENCE)



(Co) CONSTRUCTION EXIT



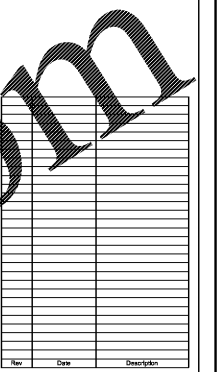
(St) STORM OUTLET PROTECTION



(Sd2) INLET SEDIMENT TRAP

CODE	PRACTICE	DETAIL	MAP SYMBOL	DESCRIPTION	CODE	PRACTICE	DETAIL	MAP SYMBOL	DESCRIPTION
Ch	CHANNEL IMPROVEMENT			IMPROVING, CONSTRUCTING OR STABILIZING AN OPEN CHANNEL, EXISTING STREAM, OR DITCH.	Rp	RIPRAP			LOOSE ROCK OR SIMILAR MATERIAL INSTALLED ON SLOPES FOR PROTECTION FROM EROSION CAUSED BY WATER TURBULENCE OR HIGH VELOCITIES.
Co	CONSTRUCTION EXIT			A CRUSHED STONE PAD LOCATED AT THE CONSTRUCTION SITE EXIT TO PROVIDE A PLACE FOR REMOVING MUD FROM TIRES, THEREBY PROTECTING PUBLIC STREETS.	Sd1	SEDIMENT BARRIER			A BARRIER TO PREVENT SEDIMENT FROM LEAVING THE CONSTRUCTION SITE. IT MAY BE SANDBAGS, BALES OF STRAW OR HAY, BRUSH, LOGS & POLES, OR A FULLY INSTALLED FENCE. THE BARRIER SHOULD BE PRIMARY & INEXPENSIVE.
Dk1	DIKE, DIVERSION			A COMPACTED SOIL RIDGE CONSTRUCTED ABOVE A CUT OR FILL SLOPE TO INTERCEPT STORM RUNOFF. IT MAY BE TEMPORARY OR PERMANENT.	Sd2	SEDIMENT TRAP, TEMPORARY			AN IMPOUNDING AREA CREATED BY EXCAVATING AND A STORM DRAIN DROP INLET. THE EXCAVATED AREA WILL BE FILLED & STABILIZED UPON COMPLETION OF CONSTRUCTION.
Dk2	DIKE, INTERCEPTOR			A RIDGE OF COMPACTED SOIL CONSTRUCTED TO SHORTEN THE LENGTH OF EXPOSED SLOPES, THEREBY PROHIBITING RUNOFF FROM REACHING ERODIBLE VELOCITIES. IT IS USUALLY TEMPORARY.	Sd3	SEDIMENT BASIN			A BASIN CREATED BY EXCAVATION ON A DAM ACROSS A WATERWAY. THE SURFACE WATER RUNOFF IS TEMPORARILY STORED ALLOWING THE BULK OF THE SEDIMENT TO DROP OUT. THE BASIN IS USUALLY TEMPORARY BUT MAY BE DESIGNED AS A PERMANENT POND OR STORM WATER RETENTION DEVICE.
Dk3	DIKE, PERIMETER			A COMPACTED SOIL RIDGE CONSTRUCTED ON THE DOWNSTREAM SIDE OF A DISTURBED AREA TO DIVERT SEDIMENT LADEN RUNOFF INTO TRAPPING FACILITIES. THE RIDGE IS USUALLY REMOVED AFTER THE AREA IS STABILIZED.	Sp	SPOILS SPREADING			DISPOSING OF MATERIAL EXCAVATED FROM A DRAINAGE DITCH OR OPEN CHANNEL BY SPREADING THE MATERIAL OVER ADJACENT LANDS.
Di	DIVERSION			AN EARTH CHANNEL WITH OR WITHOUT A SUPPORTING RIDGE ON THE DOWNSTREAM SIDE LOCATED ABOVE, BELOW, OR ACROSS A SLOPE TO DIVERT RUNOFF. THIS MAY BE TEMPORARY OR PERMANENT STRUCTURE.	Sr	STREAM CROSSING			A TEMPORARY BRIDGE OR CULVERT TYPE STRUCTURE PROTECTING A STREAM OR WATERCOURSE FROM DAMAGE BY CROSSING CONSTRUCTION EQUIPMENT.
Dn1	DOWN-DRAIN STRUCTURE			A METAL CHUTE, PIPE, SECTIONAL CONDUIT OR SIMILAR MATERIAL, TEMPORARY OR PERMANENT, DESIGNED TO SAFELY CONDUCT SURFACE RUNOFF DOWN A SLOPE.	St1	STORM DRAIN OUTLET PROTECTION			A PAVED OR SHORT SECTION OF RIPRAP CHANNEL AT THE OUTLET OF A STORM DRAIN SYSTEM PREVENTING EROSION FROM THE CONCENTRATED RUNOFF.
Dn2	DOWN-DRAIN STRUCTURE FLEXIBLE			A FLEXIBLE JOINT OF HEAVY DUTY FABRIC OR OTHER MATERIAL DESIGNED TO SAFELY CONDUCT SURFACE RUNOFF DOWN A SLOPE. THIS IS TEMPORARY & INEXPENSIVE.	St2	STORM WATER RETENTION STRUCTURE			A STRUCTURE TEMPORARILY STORING STORM WATER RUNOFF & RELEASING IT SLOWLY.
Dp	DRAIN SUB-SURFACE			UNDERGROUND CONDUIT TO REMOVE EXCESS GROUND WATER.	To	TOE BERM			A STRIP OF COMPACTED SOIL WITH A VEGETATIVE COVER LOCATED AT THE TOE OF A SLOPE.
Ds	DRAIN STRUCTURE			HEADWALLS, JUNCTION BOXES, MANHOLES, SAND TRAPS, RELEASE WELLS OR OTHER SPECIAL PURPOSE STRUCTURES INSTALLED AS AN INTEGRAL PART OF A SUBSURFACE DRAINAGE SYSTEM.	Tp	TOPSOILING			THE PRACTICE OF STRIPPING OFF THE MORE FERTILE TOP SOIL, STORING IT, THEN SPREADING IT OVER THE DISTURBED AREA AFTER THE COMPLETION OF CONSTRUCTION ACTIVITIES.
Dr3	DRAIN, VERTICAL			A WELL, PIPE, PIT OR BORING THROUGH AN IMPERVIOUS LAYER INTO A POROUS UNDERGROUND STRATA TO DRAIN UNWANTED WATER. THIS PRACTICE MUST NOT BE UTILIZED WHERE THERE IS A POSSIBILITY OF POLLUTING UNDERGROUND WATERS.	Va	VALLEY FILL			A STABLE & PERMANENT STORAGE SPACE IN A VALLEY FOR SURFACE MINED MATERIALS.
Fe	FENCES			PROTECTIVE BARRIERS TO PREVENT TRESPASSING OF PEOPLE OR ANIMALS INTO POTENTIALLY DANGEROUS AREAS SUCH AS SEDIMENT BASINS & STORM WATER RETENTION STRUCTURES.	Wt	WATERWAY OR OUTLET			PAVED OR VEGETATIVE WATER OUTLETS FOR DIVERSIONS, TERRACES, BERMS, DIKES, OR SIMILAR STRUCTURES.
Ga	GABIONS			ROCK FILLED BASKETS WHICH ARE HAND PLACED INTO POSITION FORMING SOIL STABILIZING STRUCTURES.	Fr	FILTER RING			A TEMPORARY STONE BARRIER CONSTRUCTED AT STORM DRAIN AND POND OUTLETS.
Gr	GRADE STABILIZATION STRUCTURE			PERMANENT STRUCTURES INSTALLED TO PROTECT NATURAL OR ARTIFICIAL CHANNELS OR WATERWAYS WHERE OTHERWISE THE SLOPE WOULD BE SUFFICIENT FOR THE RUNNING WATER TO FORM GULLIES.	Rt	RETROFITTING			STRUCTURE PLACED IN FRONT OF A PERMANENT STORMWATER DETENTION POND OUTLET STRUCTURE TO SERVE AS A TEMPORARY SEDIMENT FILTER.
Ha	HAULAGEWAYS			PRIVATE ROADS USED BY CONSTRUCTION EQUIPMENT IN SURFACE MINING OPERATIONS.	Bf	BUFFER ZONE			AN UNDISTURBED NATURAL "GREEN BELT" SEPARATING THE LAND DISTURBED SITE FROM SURROUNDING PROPERTY & BORDERING STREAMS. IT SERVES TO REDUCE WATER VELOCITY & REMOVE SOME SEDIMENT. IT IS ALSO AT TIMES A NOISE OR "VISION POLLUTION" BARRIER.
La1	LAND CLEARING			REMOVING OR SUPPRESSING UNDESIRABLE TREES, BRUSH & OTHER VEGETATION TO CONDITION THE SITE FOR FUTURE PLANNING & DEVELOPMENT.	Ds1	DISTURBED AREA STABILIZATION (w/ MULCHING ONLY)			ESTABLISHING TEMPORARY PROTECTION FOR DISTURBED AREAS WHERE SEEDINGS MAY NOT HAVE A SUITABLE GROWING SEASON TO PRODUCE AN EROSION RETARDING COVER.
La2	LAND SMOOTHING			REMOVING SURFACE IRREGULARITIES SUCH AS MOUNDS OR DEPRESSIONS TO IMPROVE SURFACE DRAINAGE & THE EFFICIENCY OF EQUIPMENT OPERATIONS.	Ds2	DISTURBED AREA STABILIZATION (WITH TEMP. SEEDING)			ESTABLISHING A TEMPORARY VEGETATIVE COVER WITH FAST GROWING SEEDINGS ON DISTURBED AREAS.
Lv	LEVEL SPREADER			A STRUCTURE TO CONVERT CONCENTRATED FLOW OF WATER INTO LESS ERODIBLE SHEET FLOW. THIS SHOULD BE CONSTRUCTED ONLY ON UNDISTURBED SOILS.	Ds3	DISTURBED AREA STABILIZATION (w/ PERM. VEGETATION)			ESTABLISHING PERMANENT VEGETATIVE COVER SUCH AS TREES, SHRUBS, VINES, GRASSES, SOD, OR LEGUMES ON DISTURBED AREAS.
Re	RETAINING WALL			A WALL INSTALLED TO STABILIZE CUT & FILL SLOPES WHERE MAXIMUM PERMISSIBLE SLOPES ARE NOT OBTAINABLE. EACH SITUATION WILL REQUIRE SPECIAL DESIGN.	Du	DUST CONTROL ON DISTURBED AREAS			CONTROLLING SURFACE & AIR MOVEMENT OF DUST ON CONSTRUCTION SITES, ROADWAYS, & SIMILAR SITES.
Rd	ROCK FILTER DAM			A TEMPORARY RIDGE OF GRAVEL OR CRUSHED ROCK CONSTRUCTED ACROSS A GRADED RIGHT-OF-WAY TO RETARD & FILTER RUNOFF WHILE NOT RESTRICTING CONSTRUCTION TRAFFIC. ON ROADWAYS THE RIDGE IS MADE OF THE ROAD BASE MATERIAL.					

VEGETATIVE PRACTICES



NEW FIRE STATION #9  
4171 OLD DIXIE HIGHWAY  
ATLANTA, GEORGIA 30354

CLAYTON COUNTY  
FIRE DEPARTMENT



BOYE ARCHITECTURE

ARCHITECTURE  
INTERIOR DESIGN  
LAND PLANNING

160 CLAREMONT AVE., STE 120  
DECATUR, GEORGIA  
TEL: 470.355.8514

TEL: 470.355.8514

WWW.BOYEARCHITECTURE.COM

RELEASED FOR  
CONSTRUCTION

DATE: 03-26-2018  
PROJECT NO.: 2017-81  
DRAWN BY: EN  
CHECKED BY: MMU

EROSION  
CONTROL  
DETAILS II

C-5E