

KEYED NOTES

- DRAWING NOTES
1. PROVIDE TRANSFORMER FOR BELL ABOVE CEILING.
2. PROVIDE BELL BELL SHALL BE EDWARDS #11-4.
3. PROVIDE JB FOR 120V AUTOMATIC VALVE SENSOR ABOVE CEILING.
4. PROVIDE JB FOR 120V INFRARED FAUCET SENSOR ABOVE CEILING.
5. PROVIDE JB 4 DUPLEX RECEPTACLE FOR POS SYSTEM.
6. PROVIDE JB UNDER DRIVE THRU WINDOW FOR AUTO OPENER.
7. WALK-IN EVAPORATOR PROVIDED BY KITCHEN EQUIPMENT SUPPLIER. MAKE FINAL CONNECTION TO MGR PROVIDED DISC SWITCH.
8. PROVIDE CONNECTION TO FOOD PRODUCTION COUNTER PANEL.
9. PROVIDE JB ABOVE CEILING FOR GAS SOLENOID VALVE.
10. PROVIDE DRIVE THRU LOOP DETECTORS AT THE MENU BOOTH CANOPY AND OUTSIDE THE DRIVE THRU WINDOW.
11. PROVIDE DUPLEX RECEPTACLE AND JB WITH FULL STRING AND 'BPSC' CONNECTION ABOVE CEILING.
12. HOOD MASTER CONTROL PANEL PROVIDED BY FOOD EQUIPMENT INSTALLER (E.C.). EXTERIOR WIRING FROM CONTACTS AND CONTROL DEVICES UNDER HOOD MOUNT TRIP CIRCUIT BREAKERS REFER TO HOOD CONTROL WIRING SCHEMATIC BY KEC FOR ADDITIONAL INFORMATION.
13. EC SHALL PROVIDE JUNCTION BOX WITH 3/4" EMPTY CONDUIT WITH FULLSTRING TO ABOVE ACCESSIBLE CEILING FOR HOT WATER HEATER CONTROL. COORDINATE EXACT LOCATIONS OF JUNCTION BOX WITH PLUMBING CONTRACTOR PRIOR TO ROUGH-IN.
14. START/STOP SWITCH WITH PILOT LIGHT (PROVIDED WITH HOOD) FOR HOOD EXHAUST FAN AND LIGHTING. MAKE FINAL CONNECTIONS AS REQUIRED.
15. COORDINATING SYSTEM. EC SHALL PROVIDE CIRCUIT AND JUNCTION BOX FOR REMOTE SENSOR AT 18" AFF. LOCATED AT CO2 TANKS. EC SHALL PROVIDE 4" OCTAGON BOX WITH 3/4" EMPTY CONDUIT WITH FULLSTRING TO ABOVE ACCESSIBLE CEILING FOR MONITORING CABLING. PROVIDE BACKBOX AT MANAGERS DESK FOR MONITORING DISPLAY. ALL SYSTEM CONTROL WIRING PROVIDED AND INSTALLED BY CO2 SYSTEMS INSTALLER. COORDINATE EXACT LOCATIONS OF DEVICES WITH CO2 SYSTEMS INSTALLER PRIOR TO ROUGH-IN. SEE SHEET E00 FOR DETAIL.
16. ROUTE CIRCUIT FOR HOOD EXHAUST FAN (EF-1) THROUGH HOOD MASTER CONTROL PANEL FOR CONTROL. (SEE ROOF POWER PLAN, SHEET E31) FOR COORDINATION.
17. POS BUMPER BAR PROVIDE EMPTY 3/4" CONDUIT WITH FULL STRING FROM JB TO ABOVE CEILING. COORDINATE MOUNTING HEIGHT WITH ARBY'S CM PRIOR TO ROUGH-IN.
18. HOOD MASTER CONTROL PANEL SHALL AUTOMATICALLY ACTIVATE EXHAUST FAN WHEN COOKING OPERATIONS OCCUR. REFER TO HFC OPTION SENSOR INSTALLATION DETAIL BY KEC FOR ADDITIONAL INFORMATION. PROVIDE CONTROL WIRING REQUIRED FOR CONNECTION OF SENSOR TO CONTROL PANEL. PROVIDE FINAL CONNECTION TO HEAT TRACE FURNISHED BY OTHERS.
19. PROVIDE SHOW WINDOW DUPLEX RECEPTACLE AT NO MORE THAN 18" ABOVE WINDOW. INSTALL CONDUIT ABOVE PAINT LINE AND PAINT TO MATCH. ROUTE CIRCUIT THROUGH TIMELOCK CONTROLLED CONTACTOR. REFER TO DETAIL ON SHEET E41.
20. DRIVE-THRU TIMER SYSTEM PROVIDE JB AND 3/4" EMPTY CONDUIT WITH FULLSTRING TO ABOVE ACCESSIBLE CEILING. LOCATE BOTTOM OF JB AT 8'-0" AFF. SEE MANUFACTURER'S INSTRUCTIONS FOR DRIVE-THRU TIMER SYSTEM.
21. DEDICATED WITH ISOLATED GROUND FOR DRIVE-THRU TIMER SYSTEM POWER. LOCATE ABOVE DRIVE-THRU WINDOW. SEE MANUFACTURER'S INSTRUCTIONS FOR DRIVE-THRU TIMER SYSTEM. SEE SHEET A46 FOR ELEVATION.
22. RELAY FRAMES LOCATE FOR EXTERIOR SIGNAGE AND LIGHTING. SEE WIRING DIAGRAM SHEET E41.
23. PROVIDE JB FOR FUTURE SECURITY MONITOR.
24. JUNCTION BOX FOR BAG-IN-BOX LOCATE 6" BELOW CEILING. PROVIDE A 4" OCTAGON BOX AT 44" AFF. FROM THE STATION A MINIMUM OF 10'-0", NOT TO EXCEED 25'-0" FROM THE HOOD ON THE EXIT PATH. REFER TO DETAIL ON SHEET E41.
25. PROVIDE BELL PUSH BUTTON - EDWARDS #B-37. AT 44" AFF.
26. WATER HEATER CIRCULATION PUMP SHALL BE CONTROLLED BY TIME CLOCK. COORDINATE FINAL LOCATION WITH FC PRIOR TO ROUGH-IN. PROVIDE SIGNAGE AT CIRCULATION PUMP DISCONNECT TO STATE 'CONTROLLED BY CIRCULATION PUMP TIME CLOCK'. PROVIDE 3" AND 3/4" EMPTY CONDUIT ABOVE CEILING FOR FUTURE AIR CURTAIN.
27. COORDINATE MOUNTING HEIGHT OF HOLDING CABINET RECEPTACLE WITH OWNER REF IN FIELD PRIOR TO ROUGH-IN. PROVIDE RECEPTACLE AND QUAD GANG JB FOR TV, MOUNT AT 9'-0" AFF. FULL 3/4" EMPTY CONDUIT WITH FULLSTRING FROM JB TO ABOVE ACCESSIBLE CEILING AND STUB.
28. PROVIDE CEILING MOUNTED DUPLEX RECEPTACLE (IG) AND EMPTY JB FOR CEILING MOUNTED MONITOR. COORDINATE EXACT LOCATION IN THE FIELD PRIOR TO ROUGH-IN. POS INSTALLER SHALL PROVIDE MONITOR BRACKET. VERIFY WITH ARBY'S CM. PROVIDE NEMA 6-20R RECEPTACLE AT 44" AFF. PROVIDE JB AT 24" AND 3/4" CONDUIT WITH FULLSTRING TO ABOVE CEILING FOR DISHWASHER.
29. EC SHALL PROVIDE COOPER USB CHARGER/TAMPER RESISTANT DUPLEX RECEPTACLE (TR1140W ON TILE, TR1140BK ON WOOD) MOUNT HORIZONTAL AT HEIGHT SHOWN WITH STAINLESS STEEL COVER PLATE.
30. ALL DEVICES LOCATED IN THIS AREA SHALL BE WIRED FROM PRODUCTION COUNTER PANEL.
31. RECEPTACLE EQUIPMENT WIRE INTO SODA DISPENSER CIRCUIT AND MAKE FINAL CONNECTIONS.
32. 20A/2P BREAKER THRU EC SUPPLIED DISCONNECT TO UNIT. VERIFY WITH MANUFACTURER'S GUIDELINES AND MAKE FINAL CONNECTION.
33. TELEPHONE TERMINAL BOARD PROVIDE A 3/4" FIRE RETARDANT FLYWOOD BACKBOARD ABOVE PUNCH PANEL MOUNT AS HIGH AS POSSIBLE ON WALL. COORDINATE WITH GC PRIOR TO ROUGH-IN. PROVIDE A #6 GROUND WIRE TO BLDG GROUND.
34. PROVIDE JB FOR POS SYSTEM. COORDINATE WITH POS INSTALLER PRIOR TO ROUGH-IN. SEE SCHEMATIC THIS SHEET.
35. PROVIDE AND (2) 3/4" EMPTY CONDUITS WITH FULLSTRING TO ABOVE ACCESSIBLE CEILING FOR (2) 'RJ11' PHONE JACKS (BY OTHERS).
36. ROUTE POS CABLES INSIDE CASEWORK. COORDINATE WITH ARBY'S CM BEFORE INSTALLATION.
37. PROVIDE JB FOR POS/DATA. LOCATE IN CASEWORK AT A MINIMUM 17" AFF.
38. PROVIDE EMPTY 2" CONDUIT WITH FULLSTRING FROM 4X4 JB TO ABOVE ACCESSIBLE CEILING FOR POS SYSTEM CABLES.
39. PROVIDE JB FOR PHONE/DATA PUNCH PANEL LOCATED BELOW TB.
40. PROVIDE JB FOR 120V AUTOMATIC HAND DRYER. COORDINATE WITH PLUMBING CONTRACTOR AND MAKE FINAL CONNECTIONS. EC SHALL RUN CONDUIT IN SLAB TO ISLAND. VERIFY AND COORDINATE EXACT LOCATION PRIOR TO ROUGH-IN.
41. VERIFY POWER AND ROUGH-IN REQUIREMENTS WITH KITCHEN EQUIPMENT SUPPLIER PRIOR TO ROUGH-IN.
42. MAKE ALL CONNECTIONS AND PROVIDE ALL DEVICES TO PLACE EQUIPMENT IN OPERATION.
43. EC TO INSTALL MENU BOARD AND SPEAKER POST.
44. EC TO PROVIDE POWER TO SMOKE DETECTORS.
45. REFER TO THE APPROPRIATE DRAWINGS FOR THE EXACT LOCATION OF EQUIPMENT INSTALLED UNDER OTHER DIVISIONS OF THE DOCUMENTS WHICH REQUIRE ELECTRICAL SERVICE.
46. EC SHALL COORDINATE WITH OWNER FOR CABLES TO BE PULLED FOR CASH REGISTER AND MONITOR SYSTEM. EC SHALL INST. OWNER PROVIDED CABLES AS REQUIRED TO MAKE A COMPLETE AND WORKING SYSTEM.
47. REFER TO SHEET E31 FOR ROOF ELECTRIC PLAN.
48. ALL 120 VOLT, SINGLE PHASE, 15 OR 20 AMP RECEPTACLE LOCATED IN THE KITCHEN AREA SHALL HAVE 120V GROUND-Fault CIRCUIT INTERRUPTER PROTECTION.
49. POS SYSTEM INSTALLER SHALL INSTALL AT 6" CABLES FROM POS JB'S TO PUNCH PANEL IN MANAGERS OFFICE. INSTALL COVER PLATES AND LABELING AT BOTH ENDS OF ALL CABLES. COORDINATE WITH CM.
50. DINING AREA DUPLEX RECEPTABLES SHALL BE BROWN WITH STAINLESS STEEL COVER PLATES. KITCHEN AREA DUPLEX RECEPTABLES SHALL BE WHITE WITH WHITE COVER PLATES.

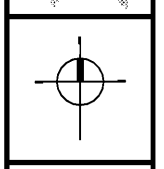
GENERAL NOTES

REVISIONS

Table with columns for REVISIONS and BY. Contains one revision entry.

Member of the American Institute of Architects
Oliveri Architects
1058 Dunlawton Ave.
Port Orange, Florida

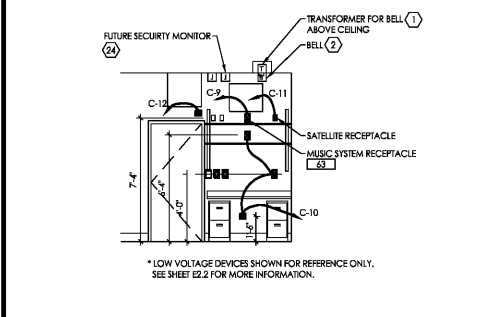
ALL RIGHTS RESERVED
THIS DRAWING IS THE SOLE PROPERTY OF OLIVERI ARCHITECTS.



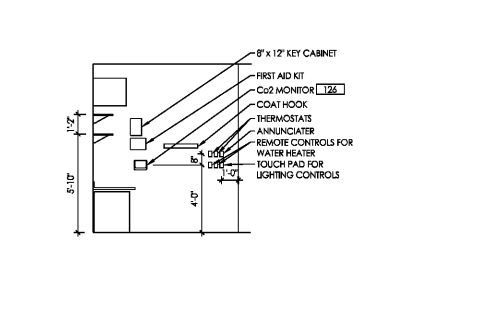
Michael P. Spychala P.E.
File REF # 9503
TEL: 386.384.3807

New Building for
ARBY'S
Store #8149
1058 Dunlawton Ave.
Port Orange, Florida

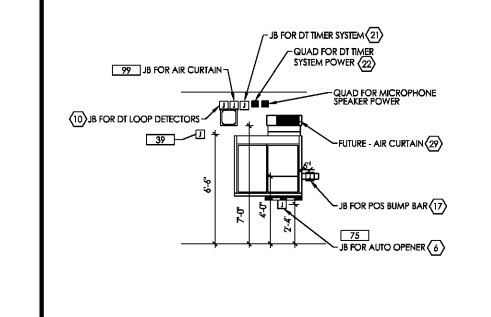
Date: 08. 24. 18
Scale: AS NOTED
Project Mgr: MPS
Drawn: MPS
Job: 18-082
Sheet E2



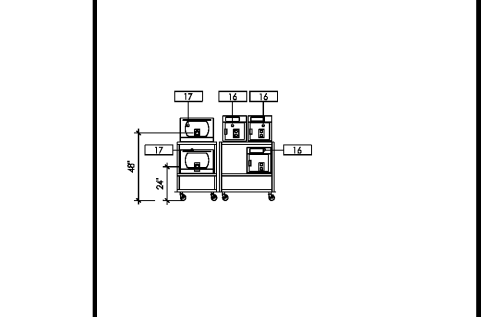
2 MANAGER'S DESK ELEVATION 1/4"=1'-0"



3 DRIVE THRU ELEVATION 1/4"=1'-0"

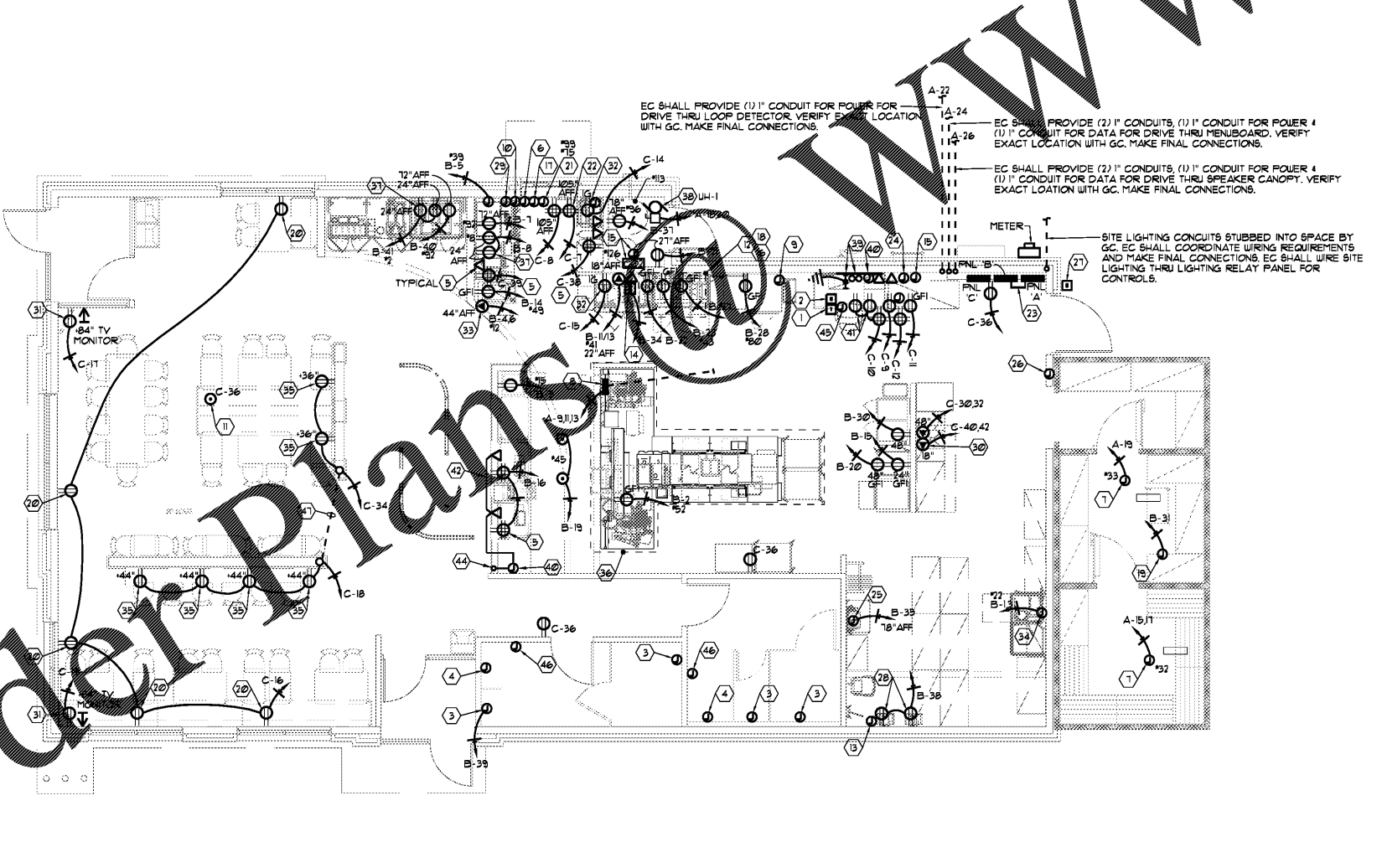


4 DRIVE THRU ELEVATION 1/4"=1'-0"



5 ELEVATION 1/4"=1'-0"

ELECTRICAL EQUIPMENT SCHEDULE table with columns: ITEM, QUAN., ITEM DESCRIPTION, VOLTS, PHASE, KW, AMPS, POWER CONNECTION, COMMENTS.



1 ELECTRICAL POWER PLAN SCALE: 3/16" = 1'-0"

Order Plans

WWW.LIVEPLAN.COM