

KEYED NOTES

- DRAWING NOTES
1. ROUTE THROUGH RELAY PANEL FOR CONTROL. SEE DETAIL SHEET E41.
 2. EC SHALL MAKE FINAL CONNECTION TO FREEZER/COOLER LIGHTING PER MANUFACTURER'S RECOMMENDATIONS. FREEZER/COOLER LIGHTING SHALL BE FURNISHED BY FREEZER/COOLER MFGR AND INSTALLED BY GC. MINIMUM OF 30 FOOT CANDLES MUST BE MAINTAINED FROM FREEZER/COOLER MFGR.
 3. VAPOR PROOF LIGHT FIXTURES FURNISHED BY EXHAUST HOOD MANUFACTURER. EC SHALL INSTALL LIGHT FIXTURES PER MANUFACTURER'S RECOMMENDATION AND WIRE THRU EXHAUST HOOD CONTROLLER. SEE POWER PLAN. MAKE FINAL CONNECTION.
 4. TO "RELAY PANEL". SEE DETAIL ON E41.
 5. PROVIDE 1 GANG UP JB FOR EXTERIOR SIGNAGE. VERIFY EXACT LOCATION OF JB WITH SIGN VENDOR PRIOR TO ROUGH-IN. EXTEND CIRCUIT FROM DISCONNECT TO RELAY PANEL FOR CONTROL. REFER TO DETAIL ON SHEET E41 FOR ADDITIONAL INFORMATION. DO NOT COMBINE OR SHARE NEUTRALS BETWEEN CIRCUITS. SOME SIGNS MAY REQUIRE ROOF PENETRATION. COORDINATE FINAL REQUIREMENTS WITH SIGN VENDOR. IF SIGN IS NOT EQUIPPED WITH INTEGRAL DISCONNECT, PROVIDE 30A 1P NEMA 3R DISCONNECT AND COORDINATE LOCATION PRIOR TO ROUGH IN.
 6. LOW VOLTAGE RELAY TOUCH PAD LC4D CH4-BUH-FUH
 1. MOUNT AT 12" AFF TO CENTER OF FIXTURE. AIM FIXTURE UP.
 2. MOUNT AT 1'-6" AFF TO CENTER OF FIXTURE.
 7. PROVIDE 1 GANG UP JB FOR EXTERIOR SIGNAGE. VERIFY EXACT LOCATION WITH ARBY'S REP PRIOR TO ROUGH IN. CONNECT TO EXTERIOR SIGN CIRCUIT.
 8. RELAY PANEL EQUAL TO LC4D "BLUE BOX" (C-11) ENCLOSURE: NEMA 3R DISCONNECT AND COORDINATE LOCATION PRIOR TO ROUGH IN.
 9. SINGLE BUTTON LOW VOLTAGE TOUCH PAD LC4D CHI-BUH-FUH.
 10. MOUNT FIXTURE AT 8'-6" AFF TO CENTER OF FIXTURE, CENTERED OVER DOOR.
 11. EC SHALL PROVIDE JUNCTION BOX FOR ARBY'S 'A' SIGN. VERIFY EXACT LOCATION AND MOUNTING HEIGHT PRIOR TO ROUGH-IN. EC SHALL WIRE 'A' SIGN INTO LIGHTING CIRCUIT FOR POWER. MAKE FINAL CONNECTIONS. EC SHALL PROVIDE A DIMMER SWITCH LOCATED ABOVE CEILING FOR CONTROL. EC SHALL PROVIDE DIMMING BALLAST IF ONE IS NOT PROVIDED WITH SIGNAGE.

REVISIONS	BY

OLIVERI ARCHITECTS
 Member of the American Institute of Architects
 29107 US Hwy. 19 • Palm Harbor, FL 34684
 Phone 727.781.7829 • Fax 727.781.6623
 www.oliveriarchitects.com

© 2018 OLIVERI ARCHITECTS
 ALL INFORMATION CONTAINED
 IN THIS DRAWING IS THE
 SOLE PROPERTY OF
 OLIVERI ARCHITECTS.
 NO PARTS, REPRODUCTIONS,
 OR EXTRACTS ARE TO BE
 MADE WITHOUT WRITTEN
 PERMISSION.



Michael P. Spivak, P.E.
 License No. 12533
 File No. 12533-3987

New Building for
ARBY'S
 Store #8149
 105B Dunlawton Ave.
 Fort Orange, Florida

Date: 08.24.18
 Scale: AS NOTED
 Project Mgr: MPS
 Drawn: MPS
 Job: 18-082
 Sheet

E1

LIGHTING ALLOWANCE CALCULATION
 2017 FLORIDA BUILDING CODE

ROOM NAME	AREA IN SQUARE FEET	LPD ALLOWED	TABLE C405.5.2(1)		FAST FOOD DINING		ACTUAL WATTAGE	
			TOTAL WATTAGE ALLOWED	FIXTURE TYPE	LAMP TYPE	FIXTURE WATTAGE		NUMBER OF FIXTURES
DINING ROOM	1290	1.40	1806	D	2-18WATT PL	39	22	858
				P1	1-80 WATT	80	4	240
				P2	1-40 WATT	80	3	180
				W	5-40 WATT	200	2	400
FOOD PREP	1020	1.40	1428	F2	3-32WATT T-8	85	12	1020
				C2	2-18WATT PL	39	4	156
TOILETS	195	1.40	273	D	2-18WATT PL	39	4	156
TOTALS	2505		3507					3010

CONTROL NOTES
 BUILDING IS SMALLER THAN 5000 SQUARE FEET
 AUTOMATIC LIGHTING CONTROL IS NOT REQUIRED

LUMINAIRE SCHEDULE

TYPE	DESCRIPTION	MANUFACTURER	MODEL	HOUSING / MOUNTING	LAMP TYPE	VOLTS	WATTS
A1	PENDANT	KICHLER	42046 OZ 1	SUSPENDED	(1) 60W S21	120	60
A2	PENDANT	KICHLER	78200 LT 1	SUSPENDED	(1) 60W S21	120	60
C1	LED DOWNLIGHT	CREE	CR6-6-800L-35K-12-E26	RECESSED	LED ENGINE	120	12
C2	LED DOWNLIGHT	CREE	CR6-6-800L-40K-12-E26	RECESSED	LED ENGINE	120	12
F2	LED TROFFER	CREE	ZR24-40L-40K-10V	RECESSED	LED ENGINE	120	44
W1	INTERIOR SCONCE	TECH	700BCLYNNWZ	WALL	(1) 40W G9	120	40
W2	EXTERIOR UP/DOWN SCONCE	LITHONIA	OLLWU-WH	WALL	4000K CCT LED	120	14
W3B	EXTERIOR WALL SCONCE	RAB LIGHTING	SLIM12B - BRONZE	WALL	LED ENGINE	120	16
W3W	EXTERIOR WALL SCONCE	RAB LIGHTING	SLIM12W - WHITE	WALL	LED ENGINE	120	16
W4	WALL LIGHT	QUORUM	5010-15	WALL	(1) 60W S21	120	60
EX1	COMBINATION EMERG. EXIT SIGN	LITHONIA	LHQM-SW3R-HO	UNIVERSAL	WITH UNIT	120	3.3
EM1	EMERG. BATTERY PACK W/ DUAL HEADS	NAVILITE	N1WH	WALL	WITH UNIT	120	10.8
EM2	EMERG. WP REMOTE TWIN HEAD	LITHONIA	ELAT-QWP-L0304-SD	WALL	W/ UNIT	120	7.2

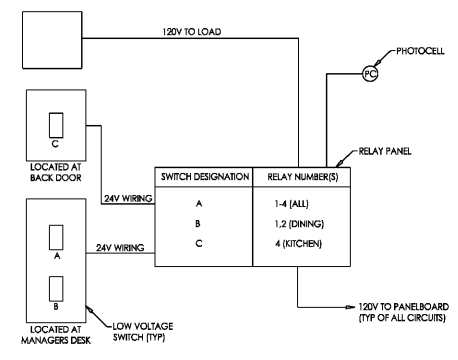
NOTES:
 1.) Call National Account Representative Mr. Kevin Price, E. Sam Jones 1-800-624-9849 for ordering.
 Call National Account, Heritage Lighting for ordering: (800) 264-3383 or email Lindsey Sanders lsanders@heritagelighting.com
 Call National Account, Regency Lighting for ordering: (800) 284-2024 x5100 or arbys@regencylighting.com

LIGHT FIXTURE NOTES

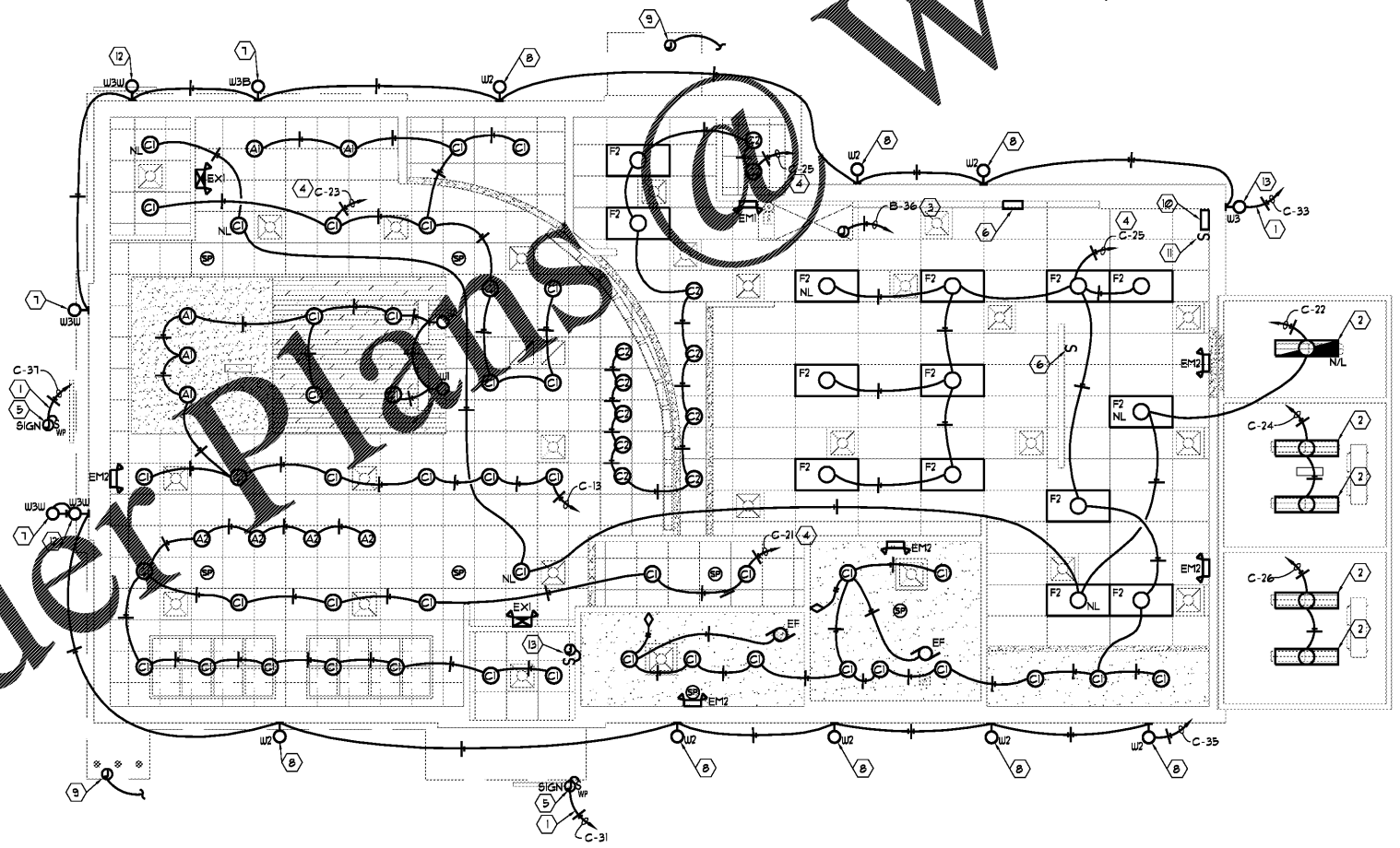
1. PROVIDE ALL FIXTURES COMPLETE WITH LAMPS. REFER TO NATIONAL ACCOUNT SOURCE INFO FOR LAMP SPEC.
2. ALL INCANDESCENT LAMPS SHALL BE RATED 130 VOLTS.
3. ALL BALLASTS SHALL BE HIGH POWER FACTOR FLUORESCENT BALLASTS FOR T8 LAMPS TO BE ADVANCED MANUFACTURED OPTIMUM WATT MIBER, EXCEPT OUTDOOR FIXTURES TO BE ZERO-DEGREE MAGNETIC BALLASTS.
4. PROVIDE HOLD DOWN CLIPS FOR EACH CORNER OF FLUORESCENT GRID TROFFERS.
5. PROVIDE ALL REQUIRED MOUNTING OR HANGING HARDWARE.
6. COORDINATE AND VERIFY ALL FIXTURE INFORMATION, TYPES AND FINAL LOCATIONS WITH THE REFLECTED CEILING PLAN. LAMPS SHALL BE AS MANUFACTURED BY SYLVANIA, WESTINGHOUSE, GENERAL ELECTRIC OR APPROVED EQUAL. DINING ROOM AND BATHROOM LIGHTS SHALL HAVE 8271 KELVIN BULBS. 2X4 FLUORESCENT LIGHTS ARE TO HAVE T8 LAMPS WITH 841 KELVIN BULBS.
7. INTERIOR PENDANTS AND WALL SCONCES ARE PROVIDED BY ARS. ALL OTHER LIGHTING FIXTURES SHALL BE BY CONTRACTOR.

2 LIGHT FIXTURE SCHEDULE
 SCALE: NOT TO SCALE

3 LIGHTING ALLOWANCE TABLE
 SCALE: NOT TO SCALE



1 LIGHTING CONTROL WIRING DIAGRAM
 N.I.S.



1 ELECTRICAL LIGHTING PLAN
 SCALE: 3/16" = 1'-0"