

EXHAUST FAN INFORMATION - Job#2091201

FAN UNIT NO.	TAG	FAN UNIT MODEL #	CFM	ESP.	RFM	HP.	B.H.P.	#	VOLT	FLA	WEIGHT (LBS)	SCHE#
1	HEF-1	DU50HFA	1200	0.750	1420	0.500	0.3230	1	115	8.4	65	14.3
		Removed										

FAN OPTIONS

FAN UNIT NO.	TAG	OPTION (Qty. - Descr.)
1	HEF-1	1 - Grease Box
		1 - Miami Dade Certification.

FAN ACCESSORIES

FAN UNIT NO.	TAG	EXHAUST				SUPPLY			
		GREASE CUP	GRAVITY DAMPER	WALL MOUNT	SIDE DISCHARGE	GRAVITY DAMPER	MOTORIZED DAMPER	WALL MOUNT	
1	HEF-1	YES							

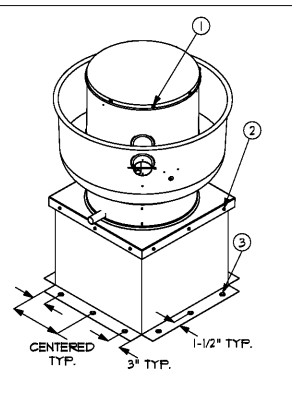
CURB ASSEMBLIES

NO.	ON FAN	WEIGHT	ITEM	SIZE
1	HEF-1	31 LBS	Curb	19.500"W x 19.500"L x 70.000"H Vented Hinged

Miami-Dade - Upblast Aluminum - NOA1

Installation Instructions:

- Secure the lid to the fan using (8) 1/4" - 14 x 1" zinc plated steel self drilling screws with rubber washers, spaced evenly around the lid.
- Secure the fan base to the curb using a minimum of (12) 1/4" - 14 x 2" zinc plated steel self drilling screws, through pre-punched holes in the fan base with a max spacing of 16 inches.
- Secure the curb to the roof framing members by drilling 1/4" pilot holes in the curb flanges at locations shown in the diagram and using a minimum of (12) 3/8" x 2" (minimum embedment), zinc plated steel lag bolts and zinc plated washers, screw through curb flanges and into roof framing members with a maximum spacing 21 1/4".



Miami-Dade NOA1

General Notes:

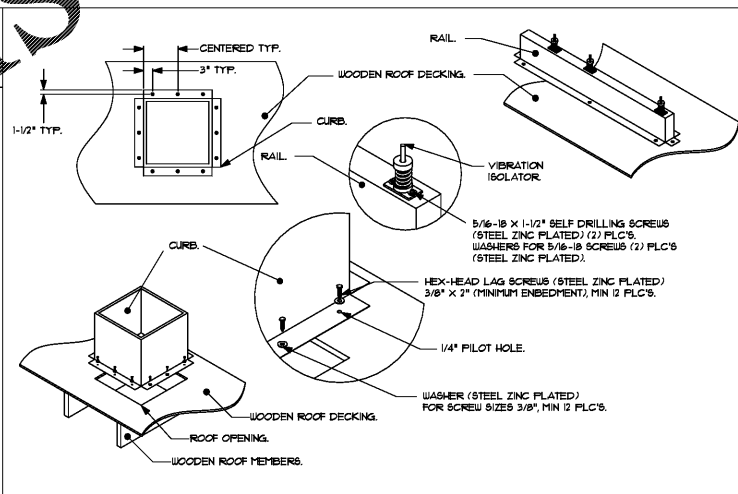
- This approval is for the structural capacity and impact rating of the exterior housing only it does not include any interior mechanism or electrical part.
- These fans have not been wind tested for Wind Driven Rain Test per Florida Building Code, TAB200 (A)-25.
- Tested in accordance to Florida Building Code test protocol TAB201, TAB202, TAB203.
- Tested for areas including high velocity hurricane zones.
- Tested under Miami-Dade County Notification number AT1-00033.

DESIGN PRESSURE: +30.0 / -66.0 PSF  
LARGE MISSILE IMPACT RESISTANT

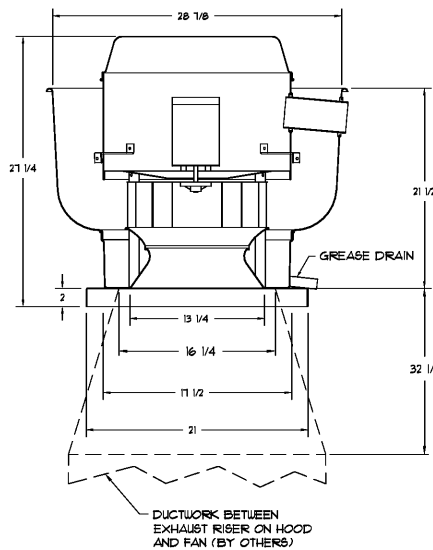
Miami-Dade - Curb / Rail Installation Guide

Installation Instructions:

- Drill 1/4" pilot holes in the curb/rail flanges per details.
- Seal the bottom of the curb/rail flanges to the roof decking using an approved sealant.
- Secure the curb/rail to the roof decking using 3/8" x 2" (maximum embedment) using lag screws and appropriate sized washers.
- Lag screws are secured to the framing members below the roof decking.
- Rails are used to support many pieces of different pieces of equipment both exhaust and supply.
- Exhaust fans may be mounted directly to the rail or to vibration isolators mounted to the rail.
- Vibration isolators are located per the submittal drawing and mounted to the rails using listed hardware.



FAN #1 DU50HFA - EXHAUST FAN (EF-1)



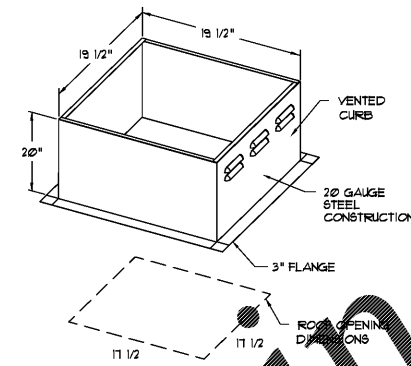
FEATURES:

- ROOF MOUNTED FAN
- RESTAURANT MODEL
- UL705 AND UL162
- VARIABLE SPEED CONTROL
- INTERNAL WIRING
- WEATHERPROOF DISCONNECT
- THERMAL OVERLOAD PROTECTION (SINGLE PHASE)
- HIGH HEAT OPERATION 300°F (149°C)
- GREASE CLASSIFICATION TESTING


**NORMAL TEMPERATURE TEST**  
EXHAUST FAN MUST OPERATE CONTINUOUSLY WHILE EXHAUSTING AIR AT 300°F (149°C) UNTIL ALL FAN PARTS HAVE REACHED THERMAL EQUILIBRIUM AND WITHOUT ANY DETERIORATING EFFECTS TO THE FAN WHICH WOULD CAUSE UNSAFE OPERATION.


**ABNORMAL FLARE-UP TEST**  
EXHAUST FAN MUST OPERATE CONTINUOUSLY WHILE EXHAUSTING BURNING GREASE VAPORS AT 600°F (316°C) FOR A PERIOD OF 8 MINUTES WITHOUT THE FAN BECOMING DAMAGED TO ANY EXTENT THAT COULD CAUSE AN UNSAFE CONDITION.

OPTION:  
GREASE BOX



REVISIONS	BY


  
 OLIVER ARCHITECTS  
 AIA-000261  
 Member of the American Institute of Architects  
 32707 US Hwy 19 • Palm Harbor, FL 34684  
 Phone 727.781.7525 • Fax 727.781.9523  
 www.oliverarchitects.com


  
 MDCI FLORIDA, INC.  
 10000 W. US HWY 19, SUITE 100  
 PALM HARBOR, FL 34684  
 Engineering Business No. 9204  
 © Copyright, 2018 • Project No. 8014

Case No. 18-000002  
 New Building for  
**ARBY'S**  
 Store #8149  
 1058 Dunlawton Ave.  
 Port Orange, Florida

Date: 08.24.18  
 Project Mgr: DM  
 Drawn: BMD  
 Job: 18-082  
 Sheet  
**M5**