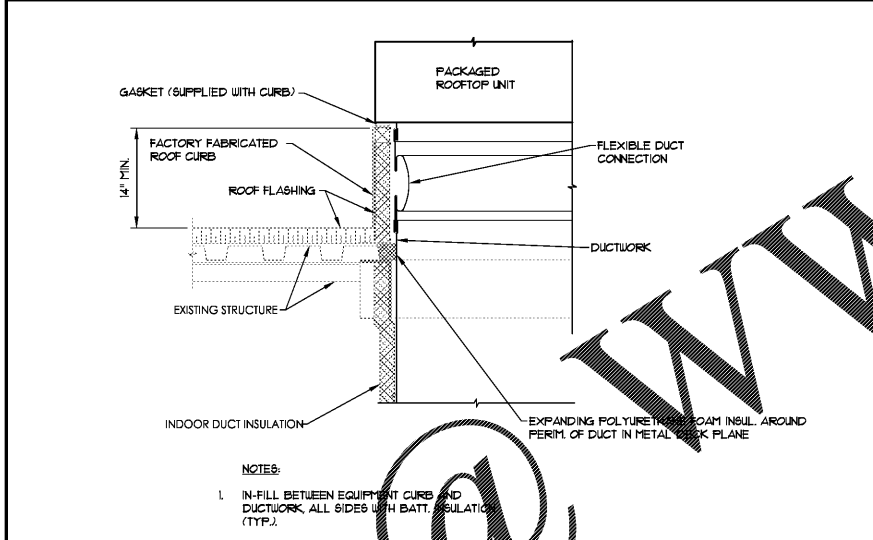
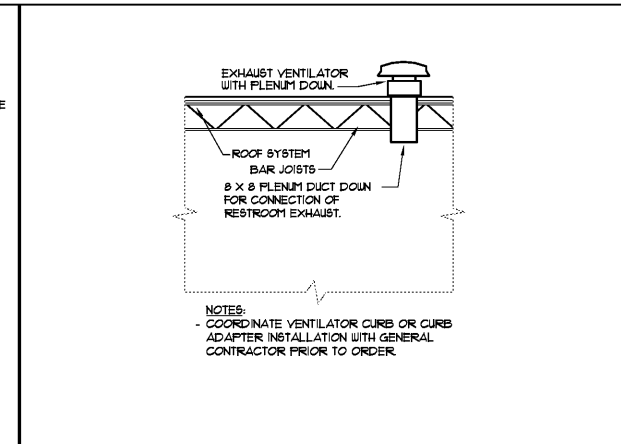


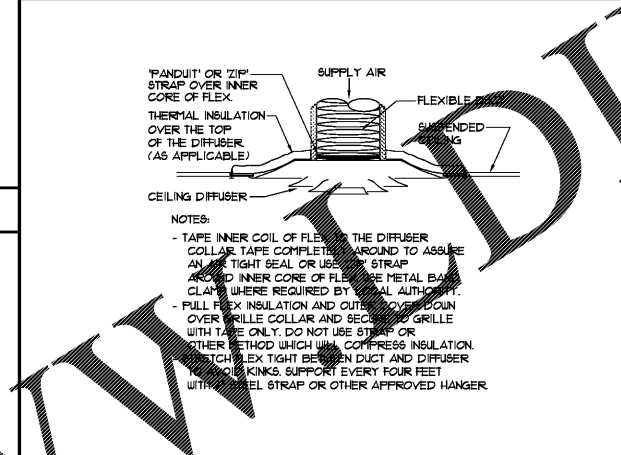
9 GREASE EXHAUST FAN DETAIL
SCALE: NONE



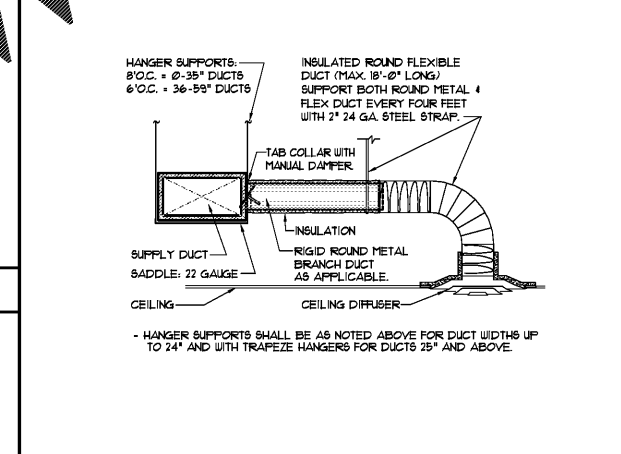
10 PACKAGED ROOFTOP UNIT DETAIL
SCALE:



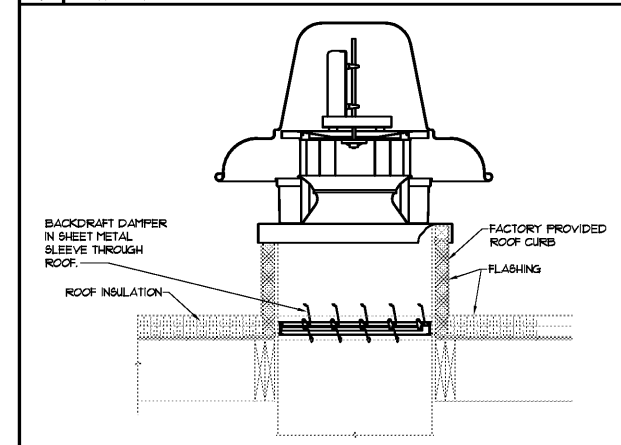
5 ROOF VENTILATOR DETAIL
SCALE: NONE



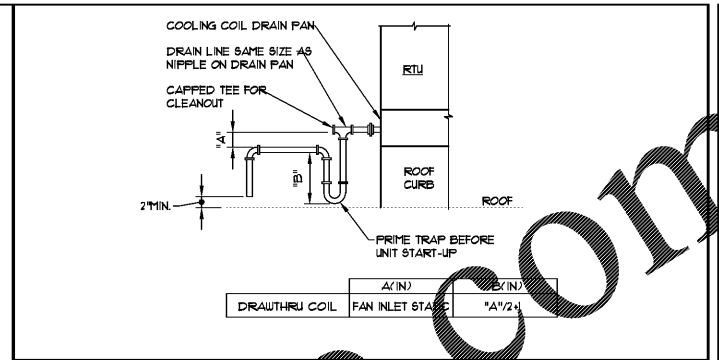
6 CEILING DIFFUSER RUN-OUT DETAIL
SCALE: NONE



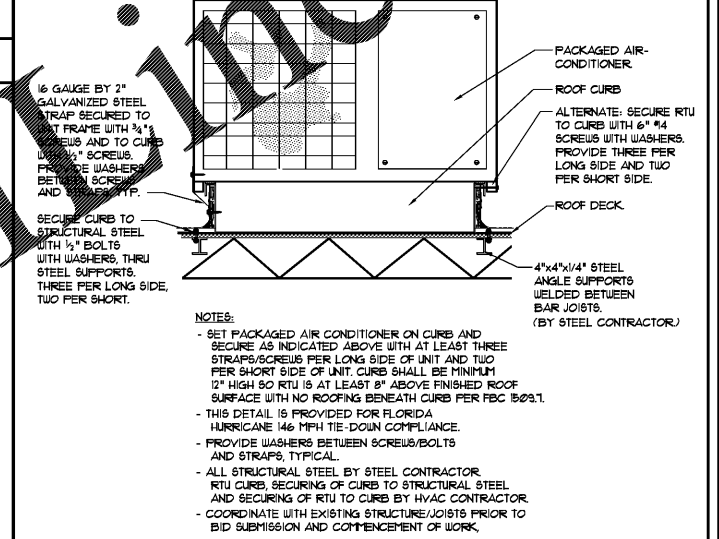
7 CEILING DIFFUSER RUN-OUT DETAIL
SCALE: NONE



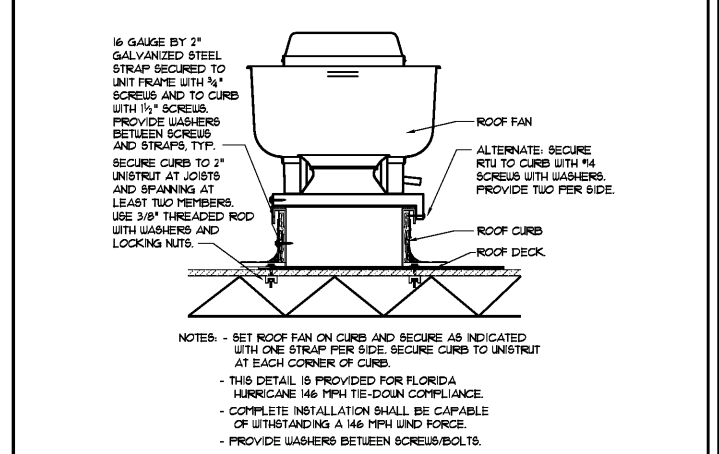
8 CEILING DIFFUSER RUN-OUT DETAIL
SCALE: NONE



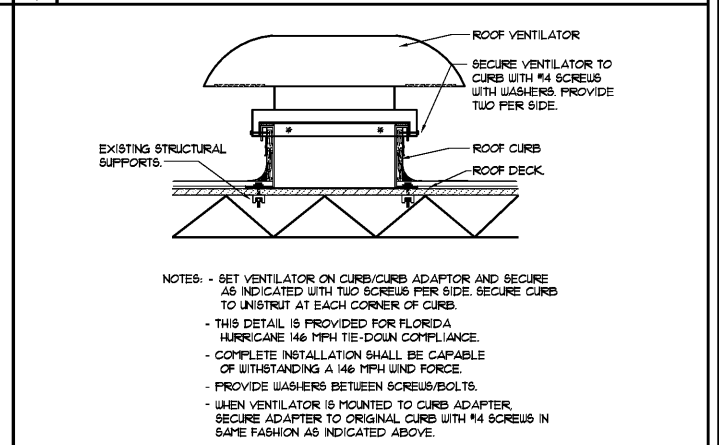
1 RTU CONDENSATE DETAIL
SCALE: NONE



2 RTU TIE-DOWN DETAIL
SCALE: NONE



3 ROOF FAN TIE-DOWN DETAIL
SCALE: NONE



4 ROOF VENTILATOR TIE-DOWN DETAIL
SCALE: NONE

REVISIONS	BY

OLIVERI ARCHITECTS
Member of the American Institute of Architects
32707 US Hwy. 19 • Palm Harbor, FL 34684
Phone: 727.781.7526 • Fax: 727.781.9523
www.oliveriarchitects.com

MD CI FLORIDA, INC.
Engineering Business No. 9204
© Copyright, 2018 • Project No. 18014

Case No. 18-000002
New Building for
ARBY'S
Store #8149
1058 Dunlawton Ave.
Port Orange, Florida

Date: 08.24.18
Project Mgr: DM
Drawn: BMD
Job: 18-082
Sheet
M3

Order Plans