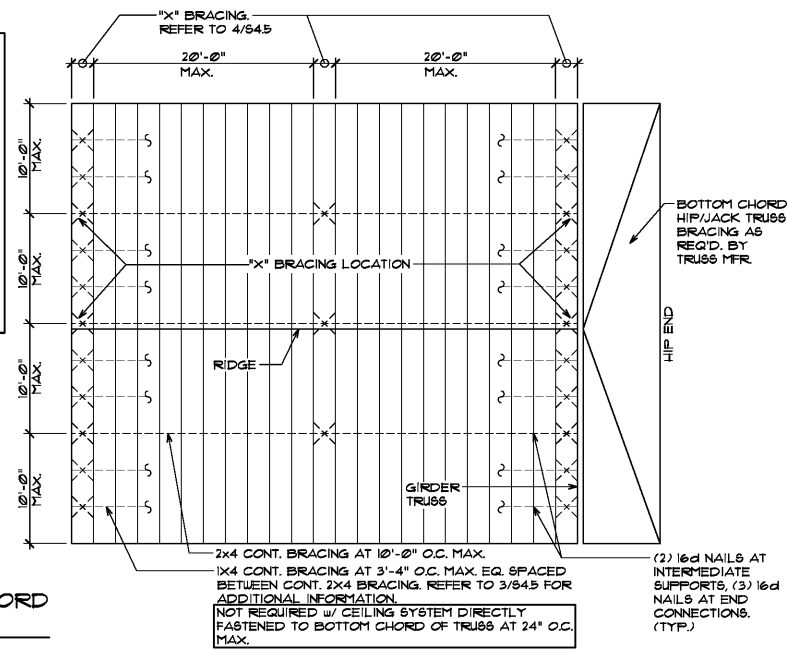
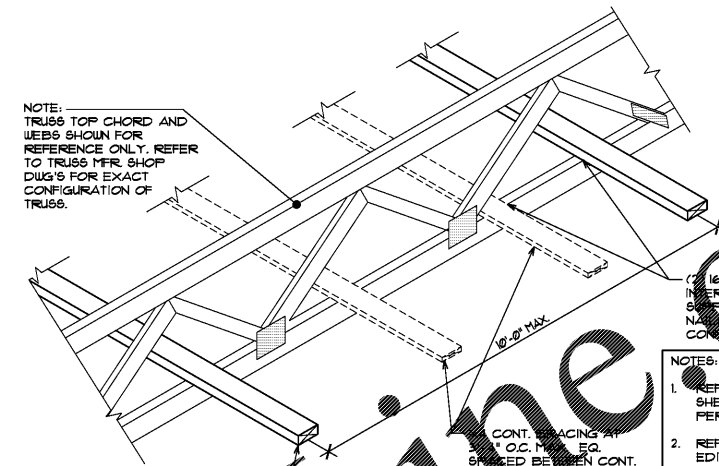


1 PLYWOOD ROOF DIAPHRAGM
SCALE: 1/8" = 1'-0"

- NOTES:
- REFER TO TRUSS CALCULATION SHEETS FOR ADDITIONAL PERMANENT BRACING.
 - REFER TO "BCS1" (CURRENT EDITION) PUBLISHED BY THE TRUSS PLATE INSTITUTE FOR TEMPORARY ERECTION BRACING.
 - THIS DETAIL REPRESENTS MAXIMUM SPACING OF BOTTOM CHORD BRACING ONLY. REFER TO ROOF FRAMING PLAN FOR ADD'L INFORMATION.
 - COORDINATE DROPPED CEILING LOCATIONS w/ THE ARCHITECTURAL DRAWINGS.

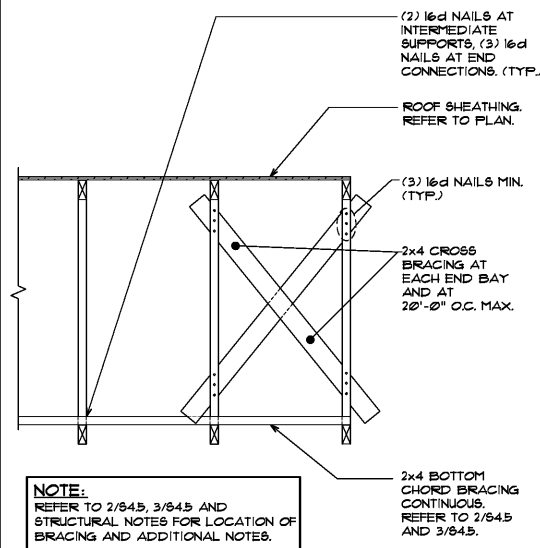


2 TRUSS BOTTOM CHORD BRACING DETAIL
SCALE: N.T.S.



3 ROOF TRUSS BOTTOM CHORD BRACING DETAIL
SCALE: N.T.S.

- NOTES:
- REFER TO TRUSS CALCULATION SHEETS FOR ADDITIONAL PERMANENT BRACING.
 - REFER TO "BCS1" (CURRENT EDITION) PUBLISHED BY THE TRUSS PLATE INSTITUTE FOR TEMPORARY ERECTION BRACING.
 - THIS DETAIL REPRESENTS MAXIMUM SPACING OF BOTTOM CHORD BRACING ONLY. REFER TO ROOF FRAMING PLAN FOR ADD'L INFORMATION.
 - COORDINATE DROPPED CEILING LOCATIONS w/ THE ARCHITECTURAL DRAWINGS.



4 SECTION
SCALE: N.T.S.

REVISIONS	BY

OLIVERI ARCHITECTS
Member of the American Institute of Architects
AIA-002021
3200 Peachtree Dunwoody Rd., Suite 100
Atlanta, GA 30328 • Fax 404/271-7811
www.oliveriarchitects.com

© 2011 OLIVERI ARCHITECTS
THIS DOCUMENT IS THE
SOLE PROPERTY OF
OLIVERI ARCHITECTS
ALL RIGHTS RESERVED.

GEORGE E. MOHAN
LICENSE
No. 38885
STATE OF
FLORIDA
PROFESSIONAL ENGINEER

MOHAN ENGINEERING, INC.
Professional Engineer
1058 Dunlawton Ave.
Port Orange, Florida 32127

Case No. 18-000002
New Building for
ARBY'S
Store #8149
1058 Dunlawton Ave.
Port Orange, Florida

Date: 08.17.18
Scale: AS NOTED
Project Mgr: GEM
Drawn: RS
Job: 18-082

Sheet
S4.5

Order Plans @

WWW.LDLINE.COM

MAKING ARCHITECTURE - THE COMPANY OF ARCHITECTS - 10000 N. CENTRAL EXPRESSWAY, SUITE 1000, DALLAS, TEXAS 75243