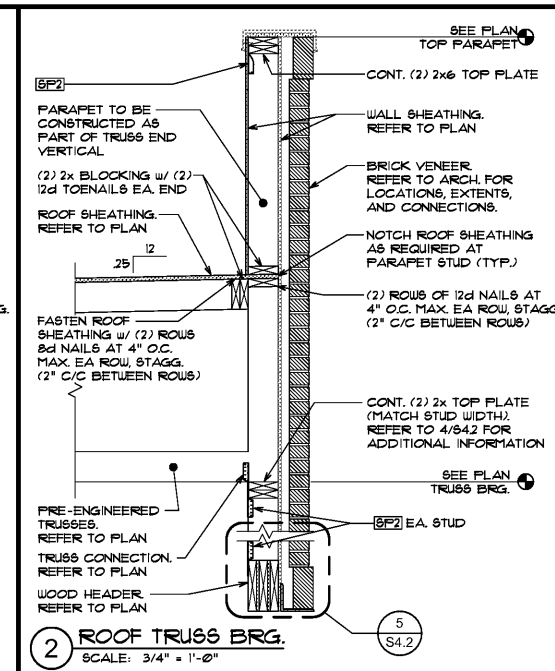
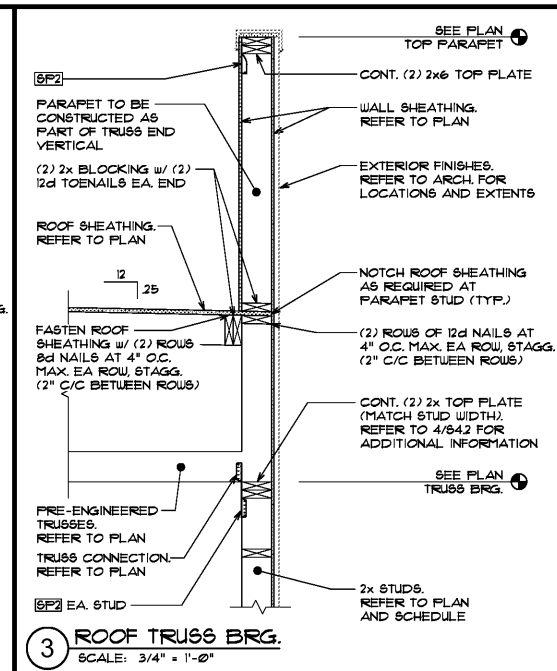


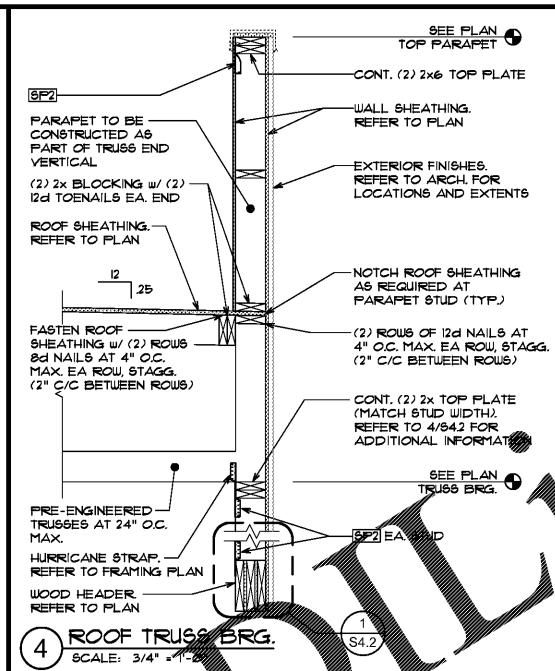
1 ROOF TRUSS BRG.
SCALE: 3/4" = 1'-0"



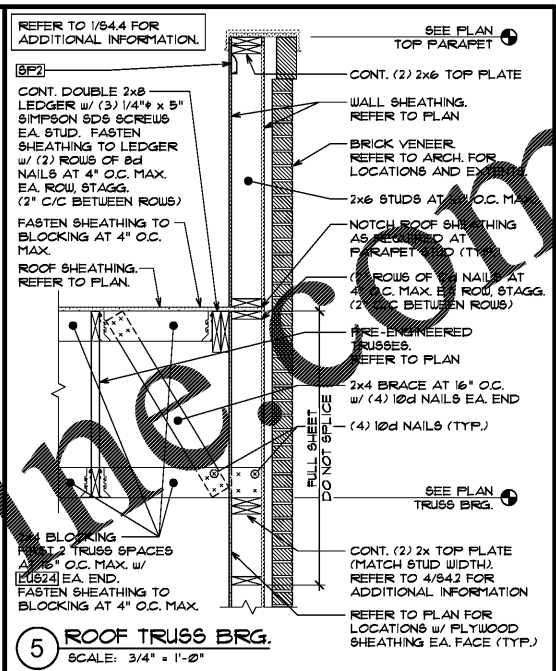
2 ROOF TRUSS BRG.
SCALE: 3/4" = 1'-0"



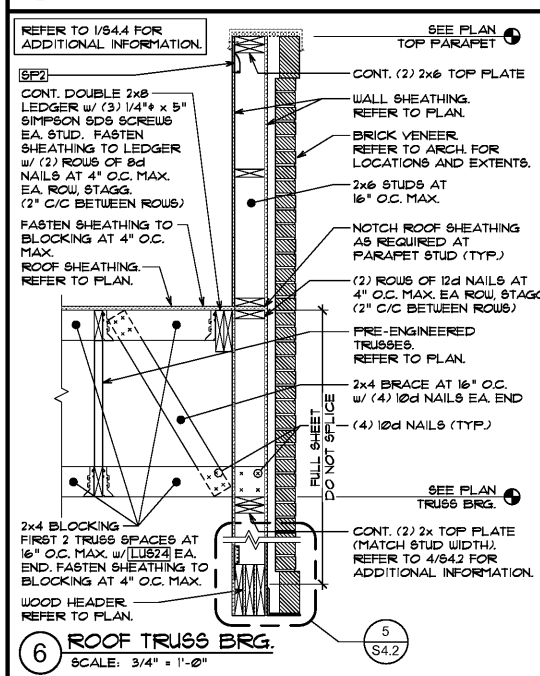
3 ROOF TRUSS BRG.
SCALE: 3/4" = 1'-0"



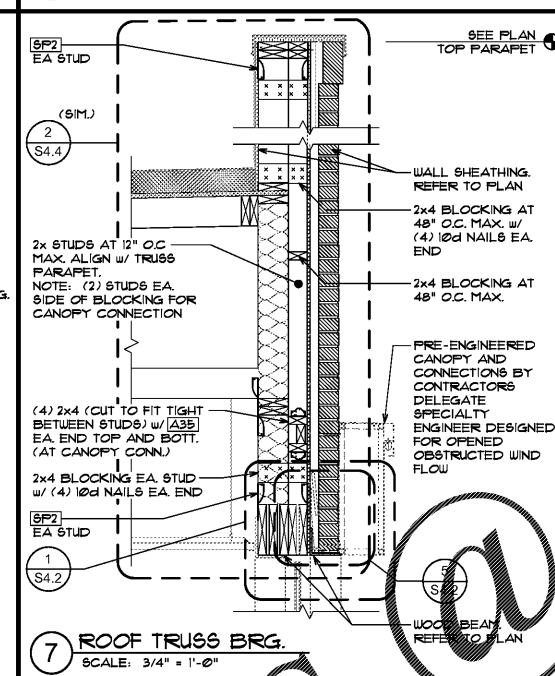
4 ROOF TRUSS BRG.
SCALE: 3/4" = 1'-0"



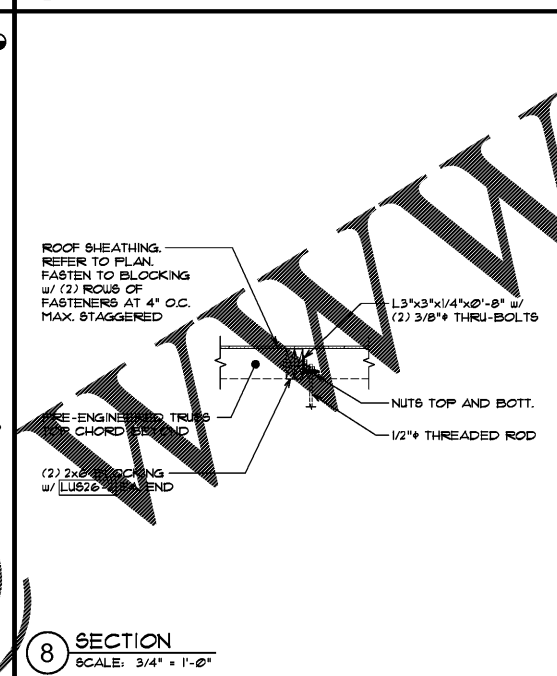
5 ROOF TRUSS BRG.
SCALE: 3/4" = 1'-0"



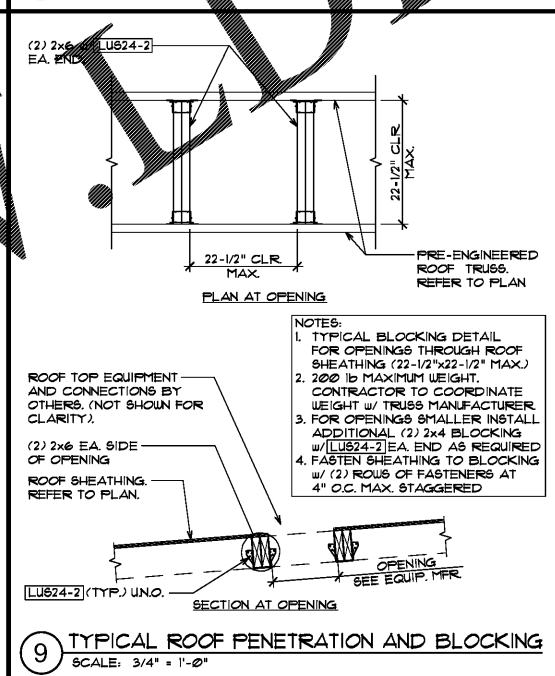
6 ROOF TRUSS BRG.
SCALE: 3/4" = 1'-0"



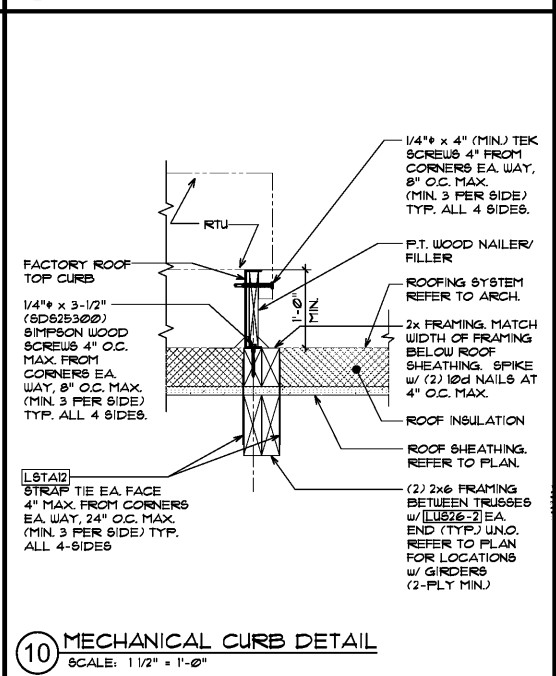
7 ROOF TRUSS BRG.
SCALE: 3/4" = 1'-0"



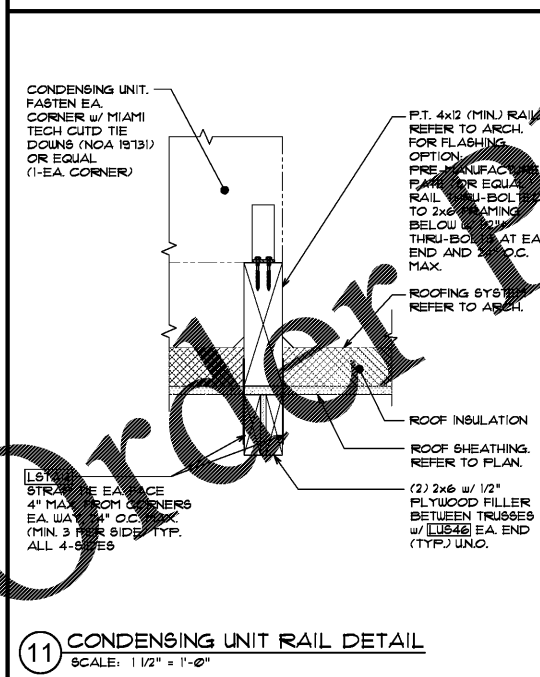
8 SECTION
SCALE: 3/4" = 1'-0"



9 TYPICAL ROOF PENETRATION AND BLOCKING
SCALE: 3/4" = 1'-0"



10 MECHANICAL CURB DETAIL
SCALE: 1/2" = 1'-0"



11 CONDENSING UNIT RAIL DETAIL
SCALE: 1/2" = 1'-0"

REVISIONS	BY

OLIVERI ARCHITECTS
 AIA 0002921
 Member of the American Institute of Architects
 3500 N. W. 10th St., Suite 100
 Ft. Lauderdale, FL 33309 • Tel: (754) 781-1622
 www.oliveriarchitects.com

GEORGE E. MOHAN
 LICENSED PROFESSIONAL ENGINEER
 No. 38868
 STATE OF FLORIDA

MOHAN ENGINEERING, INC.
 1058 Dunlawton Ave.
 Port Orange, Florida

Case No. 18-000002
 New Building for
ARBY'S
 Store #6149
 1058 Dunlawton Ave.
 Port Orange, Florida

Date: 08.17.18
 Scale: AS NOTED
 Project Mgr: GEM
 Drawn: RS
 Job: 18-082
 Sheet
S4.4