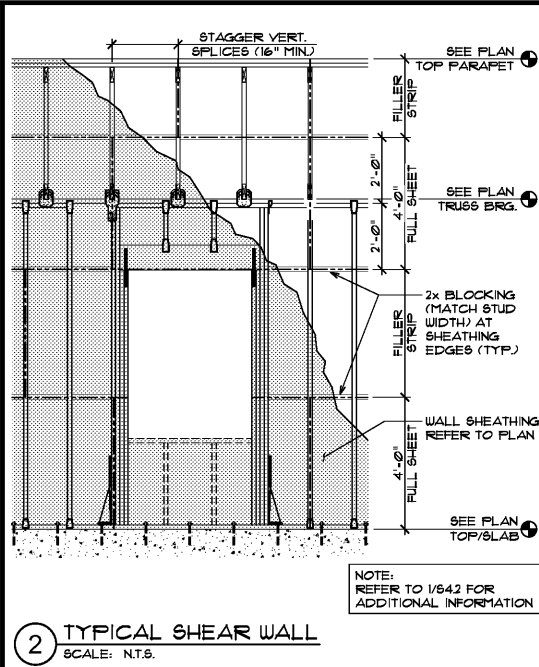
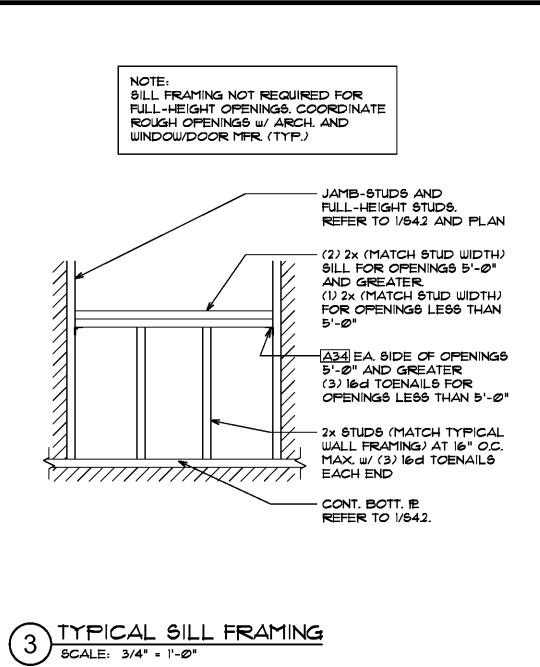


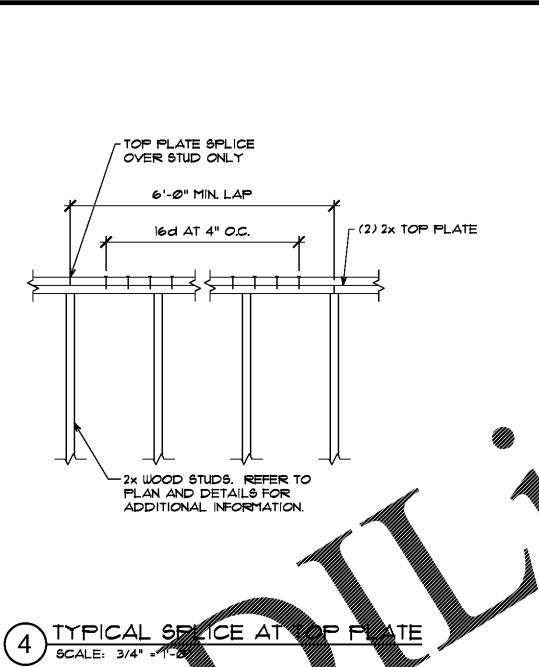
1 TYPICAL FRAME WALL OPENING
SCALE: N.T.S.



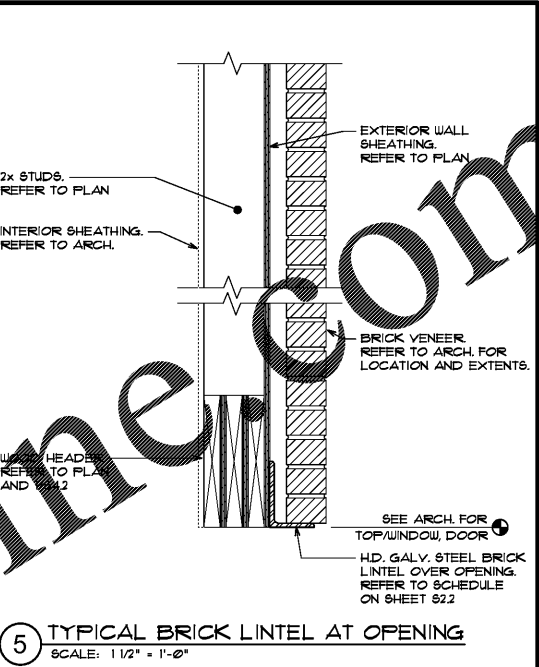
2 TYPICAL SHEAR WALL
SCALE: N.T.S.



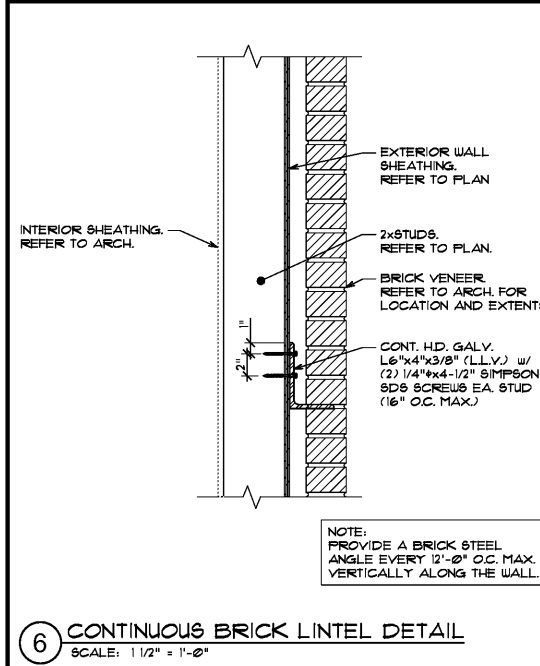
3 TYPICAL SILL FRAMING
SCALE: 3/4" = 1'-0"



4 TYPICAL SPICE AT TOP PLATE
SCALE: 3/4" = 1'-0"



5 TYPICAL BRICK LINTEL AT OPENING
SCALE: 1 1/2" = 1'-0"

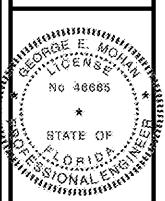


6 CONTINUOUS BRICK LINTEL DETAIL
SCALE: 1 1/2" = 1'-0"

REVISIONS	BY

OLIVERI ARCHITECTS
Member of the American Institute of Architects
3525 Peachtree Dunwoody Rd., Suite 100
Atlanta, GA 30328 • Phone: 404.251.1800 • Fax: 404.251.1802
www.oliveriarchitects.com

© 2018 OLIVERI ARCHITECTS
THIS DRAWING IS THE
SOLE PROPERTY OF
OLIVERI ARCHITECTS
ALL RIGHTS RESERVED.



MOHAN ENGINEERING, INC.
Professional Engineer
1058 Dunlawton Ave.
Port Orange, Florida 32127

Case No. 18-000002
New Building for
ARBY'S
Store #6149
1058 Dunlawton Ave.
Port Orange, Florida

Date: 08.17.18
Scale: AS NOTED
Project Mgr: GEM
Drawn: RS
Job: 18-082

Sheet
S4.2

Order Plans @

WWW.LDLINE.COM

MOHAN ENGINEERING, INC. 1058 DUNLAWTON AVE. PORT ORANGE, FL 32127 TEL: 386.329.1800 FAX: 386.329.1802