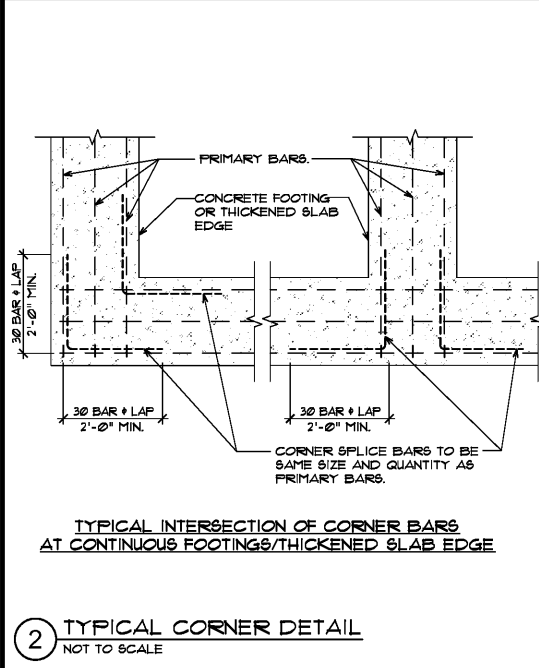
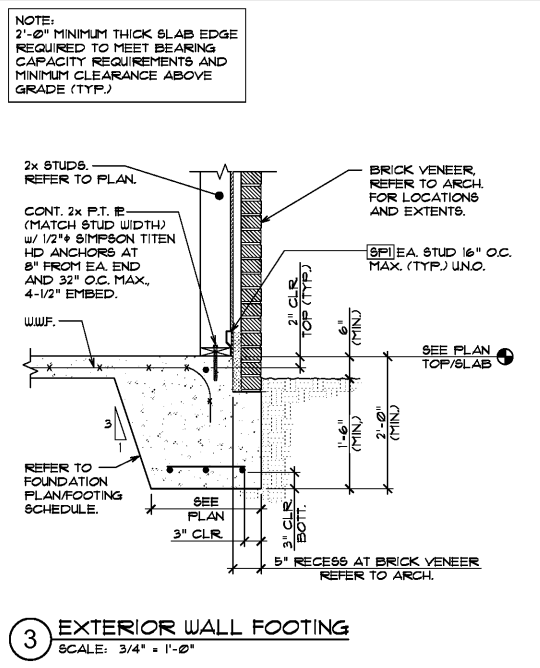


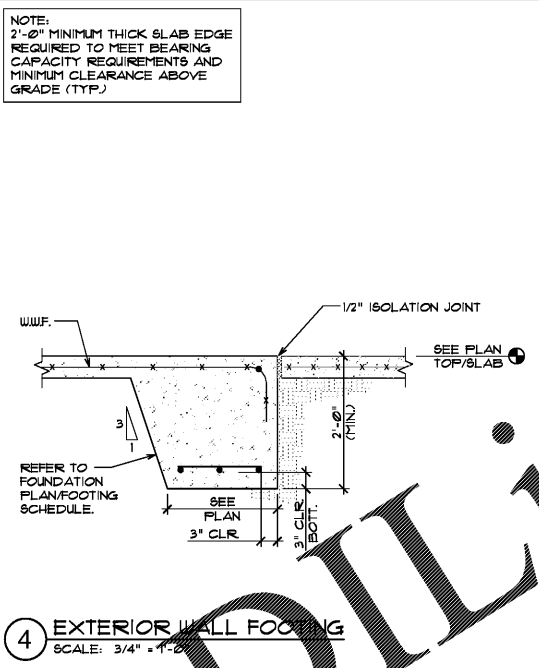
1 CONSTRUCTION / CONTROL JOINT DETAIL
SCALE: 1/2" = 1'-0"



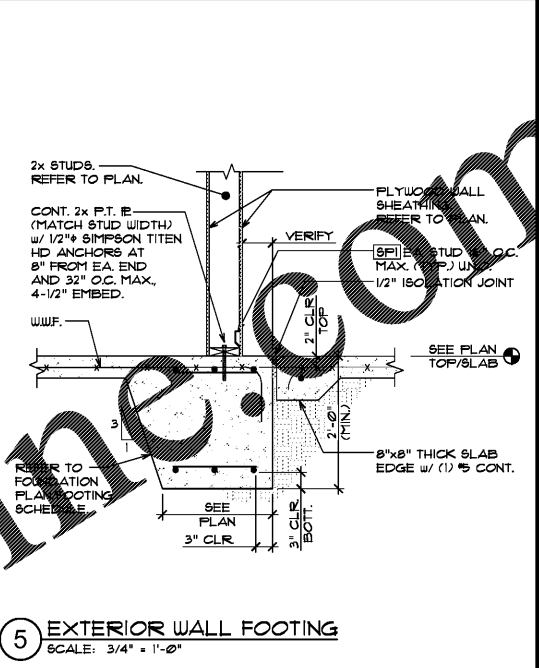
2 TYPICAL CORNER DETAIL
NOT TO SCALE



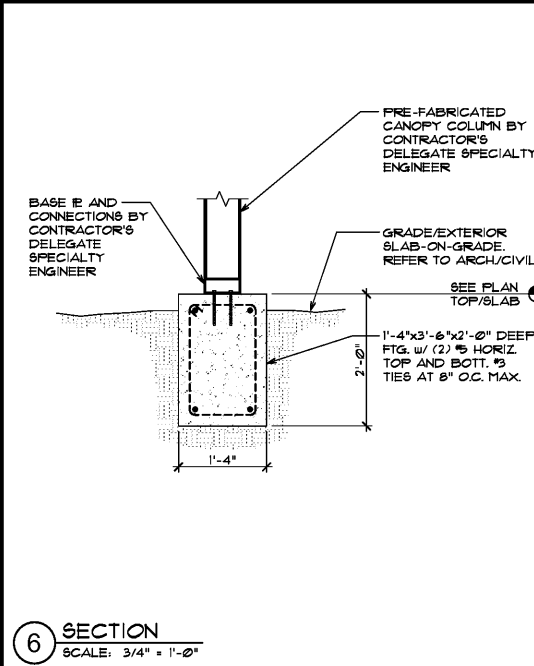
3 EXTERIOR WALL FOOTING
SCALE: 3/4" = 1'-0"



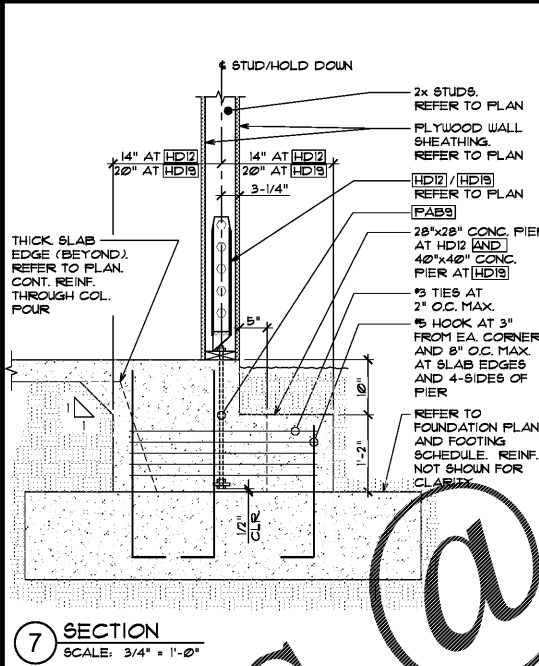
4 EXTERIOR WALL FOOTING
SCALE: 3/4" = 1'-0"



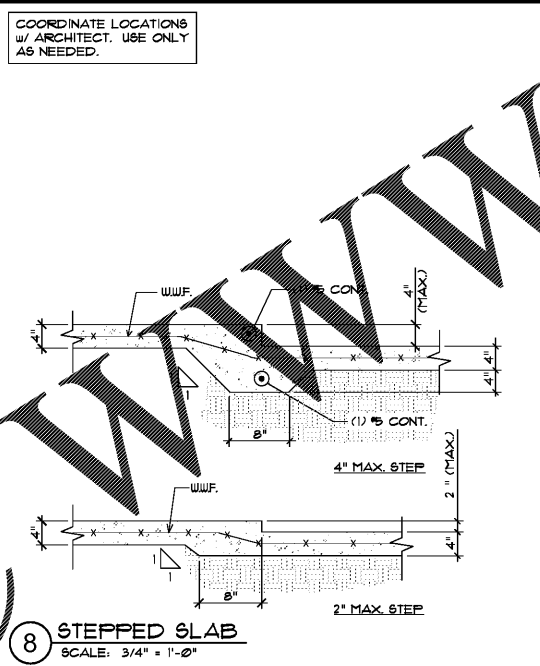
5 EXTERIOR WALL FOOTING
SCALE: 3/4" = 1'-0"



6 SECTION
SCALE: 3/4" = 1'-0"



7 SECTION
SCALE: 3/4" = 1'-0"



8 STEPPED SLAB
SCALE: 3/4" = 1'-0"

REVISIONS	BY

OLIVERI ARCHITECTS
Member of the American Institute of Architects
3525 Peachtree Dunwoody Rd., Suite 100
Atlanta, GA 30328 • Fax (770) 412-1622
www.oliveriarchitects.com

© 2018 OLIVERI ARCHITECTS
THIS DRAWING IS THE
SOLE PROPERTY OF
OLIVERI ARCHITECTS
ALL RIGHTS RESERVED.

GEORGE E. MOHAN
LICENSE
No. 38885
STATE OF
FLORIDA
PROFESSIONAL ENGINEER

MOHAN ENGINEERING, INC.
1058 Dunlawton Ave.
Port Orange, Florida 32127

Case No. 18-000002
New Building for
ARBY'S
Store #8149
1058 Dunlawton Ave.
Port Orange, Florida

Date: 08.17.18
Scale: AS NOTED
Project Mgr: GEM
Drawn: RS
Job: 18-082

Sheet
S4.1

Order Plans @

MOHAN ENGINEERING, INC. 1058 DUNLAWTON AVE. PORT ORANGE, FL 32127 TEL: 386-329-1111 FAX: 386-329-1112