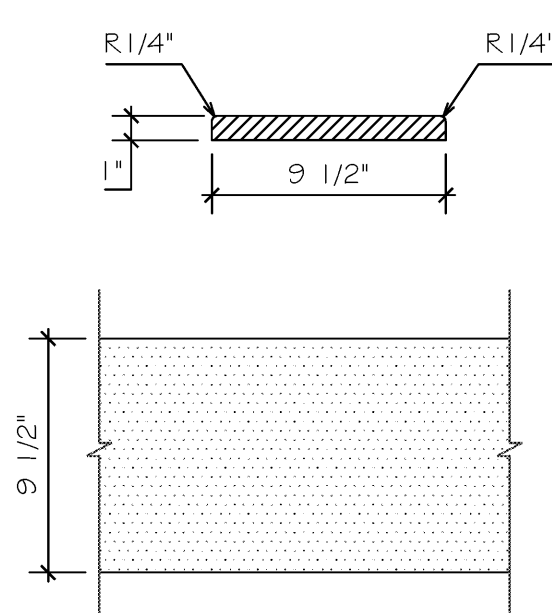
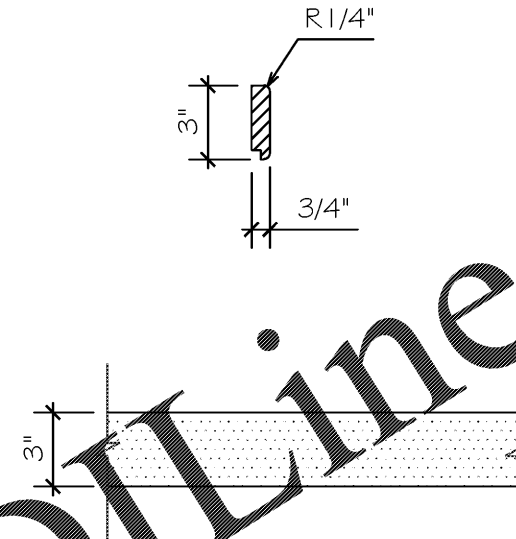


TRIM PACKAGE

CHAIR RAIL:	FURNISHED BY CMI	INSTALLED BY G.C.
DESCRIPTION: 3/4" X 3" WOOD - OAK STAINED (S2) FINISH: STAINED TO MATCH PIONITE WW011 'KINGSLEY'		
ACCENT TRIM:	FURNISHED BY CMI	INSTALLED BY G.C.
DESCRIPTION: 3/4" X 2" WOOD - OAK STAINED (S1) FINISH: STAINED TO MATCH PIONITE WW011 'KINGSLEY'		
TOP CAP:	FURNISHED BY CMI	INSTALLED BY G.C.
DESCRIPTION: 1" X 9" WOOD - OAK STAINED (S1) FINISH: STAINED TO MATCH PIONITE WW011 'KINGSLEY'		
SHOE MOULD:	FURNISHED BY CMI	INSTALLED BY G.C.
DESCRIPTION: 3/8" X 1/2" OAK SHOE MOULDING (S1) FINISH: STAINED TO MATCH PIONITE WW011 'KINGSLEY'		
SCHLUTER STRIP:	FURNISHED BY G.C.	INSTALLED BY G.C.
DESCRIPTION: SCHLUTER STRIP OUTSIDE CORNER QUADREC Q 125 AE OR Q100 FINISH: SATIN ANODIZED ALUMINUM NOTE: G.C. TO CHOOSE SCHLUTER DEPENDING ON TILE THICKNESS		
		CONTACT: JASON WEEKS 678-687-7802

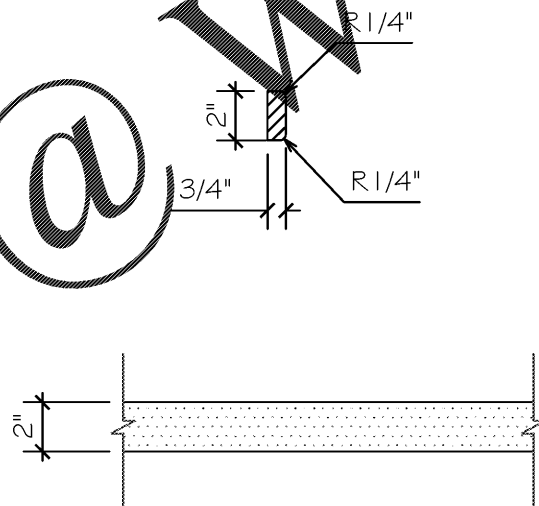


5-1
1" x 9-1/2" OAK
WALLCAP

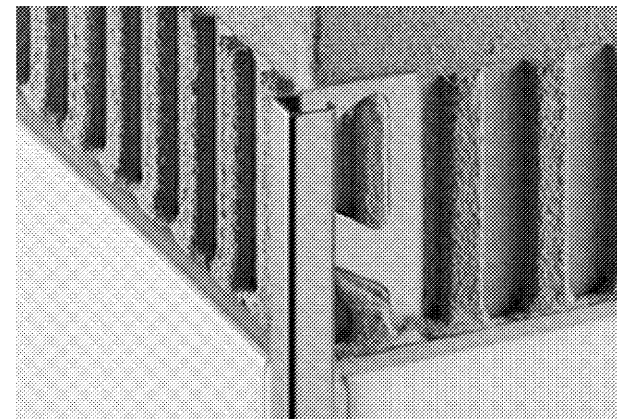


5-2
3/4" x 3" OAK CHAIR RAIL

FOR SERVICE COUNTER DETAIL
REFER TO ARCHITECTURAL PLANS
OR "KES" SHOP DRAWINGS.



5-1
3/4" x 2" OAK ACCENT TRIM



INSTALL QUESTIONS REFER TO:
WWW.YOUTUBE.COM/WATCH?V=KPO0MDPEGEO

G.C. TO CHOOSE THE CORRECT SCHLUTER
CORNER BASED ON TILE THICKNESS

CONTACT:
JASON WEEKS @ 678-687-7802

SCHLUTER QUADREC Q-125 AE (1/2") OR
SCHLUTER QUADREC Q-100 AE (3/8")

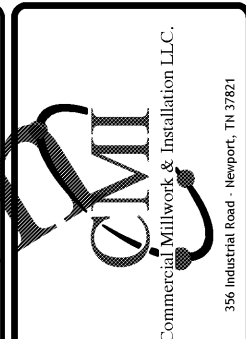
STORE No.: 8149

CITY, ST **Port Orange, FL**

REVISION	DATE	BY

SHEET TITLE: DETAILS
SCALE: 1-1/2" = 1'-0"
ADDRESS: Dunlawton Ave & S. Swallow
Port Orange, FL

ACCOUNT: Arby's
DESIGN BY: Henry
DATE: 8/15/18
PROJECT NO.: D1_03143
REVISION: 00 SHEET NO.: 11



Order Plans

WWW.LDITLine.com