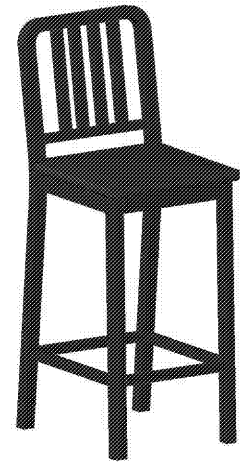
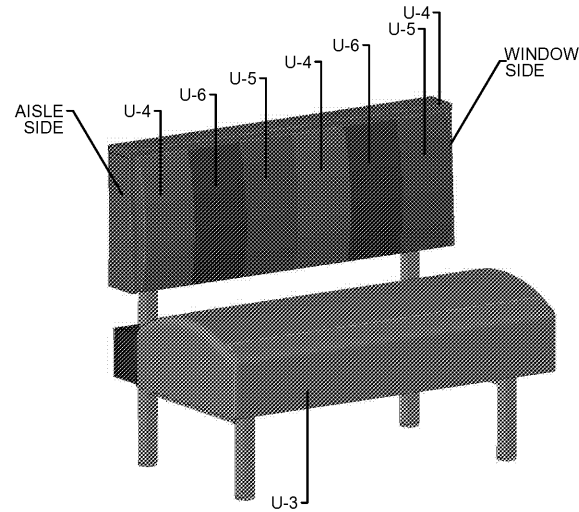


TABLE TOP 'A'



BAR STOOL



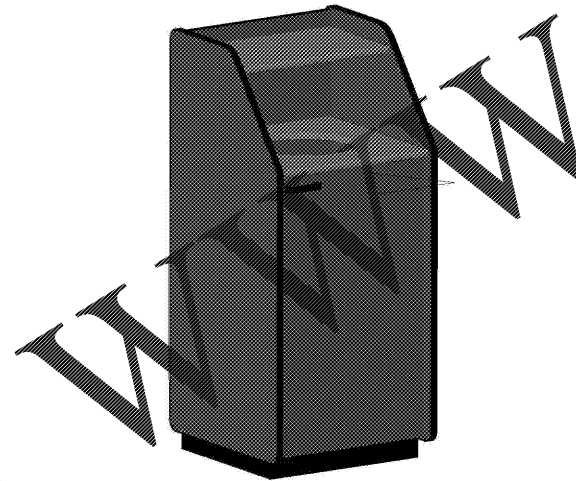
BOOTHS



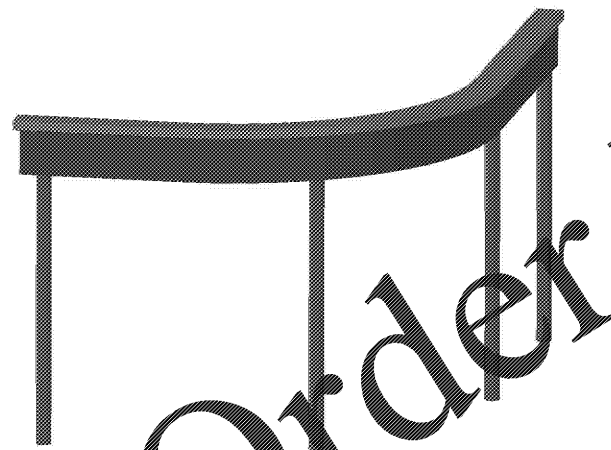
TABLE TOP 'B'



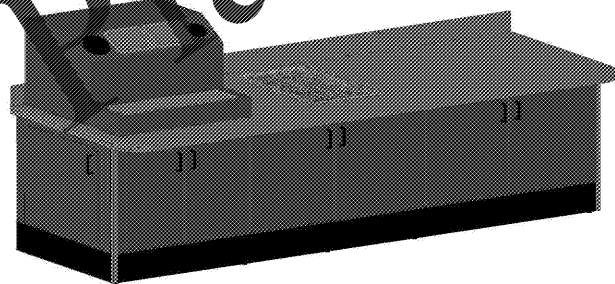
CHAIR



WASTE CABINET



QUEUE LINE



DRINK CABINET

FURNITURE FINISHES

TABLE TOPS:

SERIES: LAMINATED
'TABLE A': PIONITE WX110 'SMOOTH PADDLIN'
EDGE: PLYWOOD
'TABLE B': WILSONART 7973K-12 'OLD MILL OAK'
EDGE: BROWN VINYL
NOTE: HANDICAP SYMBOL ON HANDICAP TABLES

FURNISHED BY CMI
INSTALLED BY G.C.

TABLE BASE:

SERIES: STANDARD AND BAR HEIGHT FREESTANDING BASES
FINISH: BLACK

FURNISHED BY CMI
INSTALLED BY G.C.

CHAIRS (FREESTANDING):

CHAIR SERIES: #809
FRAME FINISH: M-8 QUICKSILVER
SEAT 'A' UPHOLSTERY: ESP635 AMERICAN BEAUTY (U6)

FURNISHED BY CMI
INSTALLED BY G.C.

BARSTOOL (FREESTANDING):

CHAIR SERIES: #809/80
FRAME FINISH: M-8 LIPSTICK REDUM
SEAT 'A' UPHOLSTERY: ESP635 AMERICAN BEAUTY (U6)

FURNISHED BY CMI
INSTALLED BY G.C.

BOOTH: ARBY'S 36" AFF

SERIES: UPHOLSTERED BACK PAD & SEAT
BACK PAD PATTERN - STANDARD SIZE & WALL BENCHES
TOP CAP /SIDE PANEL: ARC-COM RODEO, AC-69953 'FIRE' #14 (U4)
BACK PAD UPHOLSTERY:
UPHOLSTERY 4: ARC-COM RODEO, AC-69953, 'FIRE' #14 (U4)
UPHOLSTERY 5: ARC-COM RODEO, AC-69954, 'RUBY' #15 (U5)
UPHOLSTERY 6: ARC-COM RODEO, AC-69952, 'LIPSTICK' #13 (U6)
SEAT PAD FINISH: ARC-COM RODEO, AC-69984, 'RHINO' #45 (U3)
WELT: ARC-COM RODEO, AC-69984 'RHINO' #45 (U3)
CRUMB RAIL: FORMICA 5884-58 CHESTNUT WOODLINE
STRIPES TO BE TUFTED

FURNISHED BY CMI
INSTALLED BY G.C.

WASTE CABINETS:

SERIES: TOP DROP
TOP AND TRAY SHELF FINISH: CORIAN 'ARCTIC ICE' (C1)
CABINET FINISH: PIONITE WX110 SUEDE 'SMOOTH PADDLIN' (L2)
EDGE: VINYL EDGING - BLACK
BASE FINISH: BLACK
LAMINATE GRAIN TO BE RUN HORIZONTALLY

FURNISHED BY KES*
INSTALLED BY G.C.

BEVERAGE CABINET:

TOP FINISH: CORIAN 'ARCTIC ICE' (C1)
CABINET: PIONITE WX110 SUEDE 'SMOOTH PADDLIN' (L2)
1/4" ANGLE AT BOTTOM EDGE TO PROTECT LAMINATE

FURNISHED BY KES*
INSTALLED BY G.C.

QUEUE LINE:

DESCRIPTION: CURVED QUEUE LINE
TOP CAP: CORIAN 'ARCTIC ICE' (C1)
TRIM: PIONITE WX110 SUEDE 'SMOOTH PADDLIN' (L2)
NOTE: LAMINATE GRAIN TO BE RUN HORIZONTALLY
SUPPORT: 2" STAINLESS STEEL WITH ADA RAIL @ 3" A.F.F.

FURNISHED BY KES*
INSTALLED BY G.C.

STORE No.: 8149

CITY, ST Port Orange, FL

Table with columns: REVISION, DATE, BY

SHEET TITLE: PRODUCT LINE
SCALE: N.T.S.
ADDRESS: Dunlawton Ave & S. Swallow Port Orange, FL

ACCOUNT: Arby's
DESIGN BY: Henry
DATE: 8/15/18
PROJECT NO.: PL1_03143
REVISION: 00 SHEET NO.: 2



Order plans @