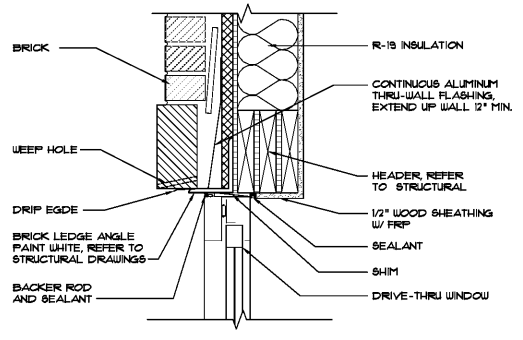
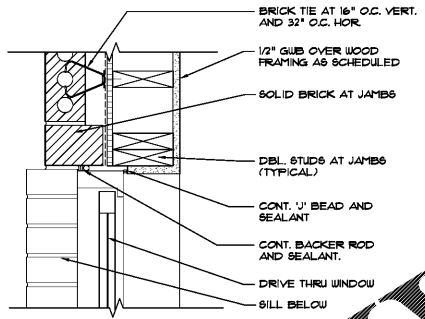


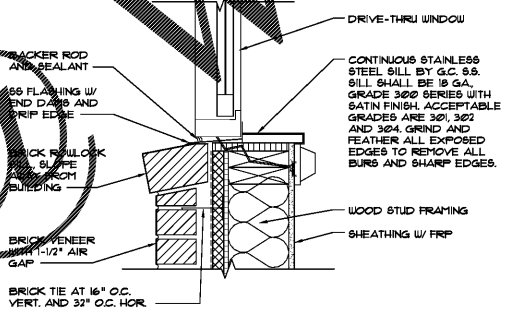
Order Plans



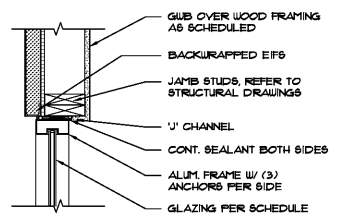
1 HEAD DETAIL  
SCALE: 1-1/2" = 1'-0"



2 JAMB DETAIL  
SCALE: 1-1/2" = 1'-0"



3 SILL DETAIL  
SCALE: 1-1/2" = 1'-0"



4 JAMB DETAIL  
SCALE: 1" = 1'-0"

WINDOW SCHEDULE

TYPE	SIZE	MANF / DESIGNATION	REMARKS	FLORIDA PRODUCT APPROVAL *
(A)	9'-8" x 8'-4"	YKK YES 45 FI	1" INSULATED	FL 12926J
(B)	6'-8" x 8'-4"	YKK YES 45 FI	1" INSULATED	FL 12926J
(C)	4'-8" x 3'-5"	"QUIKBERV"		FL 12643JRG

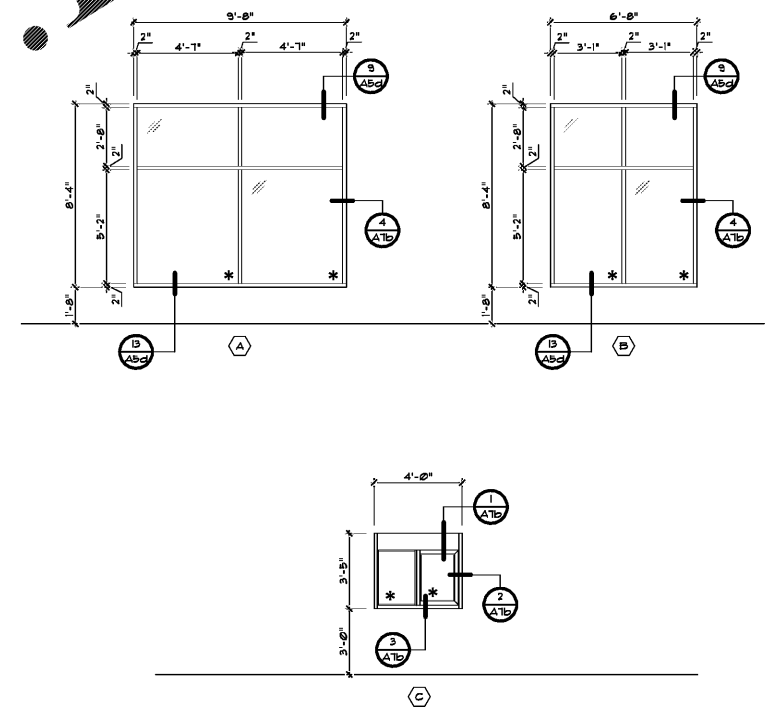
GENERAL WINDOW NOTES

- REFER TO MANUFACTURER SPECIFICATIONS FOR INSTALLATION REQUIREMENTS.
- ALL EXTERIOR STOREFRONT WINDOW SYSTEMS ARE TO BE IMPACT RATED 1" INSULATED LOW-E GLAZING PPG SANGATE 5000
- ALL EXTERIOR STOREFRONT WINDOW SYSTEMS TO BE DARK BROWN ANODIZED.
- PRIOR TO INSTALLATION, SUBMIT SHOP DRAWINGS TO ARCHITECT FOR REVIEW AND APPROVAL.
- FIELD MEASURE ALL OPENINGS PRIOR TO FABRICATION.
- CONTRACTOR MUST VERIFY ALL DIMENSIONS IN FIELD.
- COORDINATE/VERIFY ACTUAL DIMENSIONS WITH STOREFRONT MANUFACTURER'S SHOP DRAWINGS.
- CAULK AROUND WINDOW FRAMES TO BE DIYMETRIC 511 (TREMCO) POLYURETHANE SEALANT.
- FOLLOW MANUF. SPECIFICATIONS AND INSTRUCTION
- \*\* INDICATES TEMPERED GLAZING.
- SEE SHEET EQ-1 AND EQ-2 FOR DRIVE THRU WINDOW SPECIFICATION
- ALL GAPS BETWEEN ROUGH OPENING AND WINDOWS TO BE SEALED WITH EXPANDING FOAM

ABBREVIATIONS

AL	ALUMINUM ANODIZED FINISH	MTL	METAL PAINT
AN	FACTORY FINISH	640	640 UNFINISHED SEALED
FAC	FIBERGLASS	640	640 UNFINISHED SEALED
FRGL	GLASS	STL	STAINLESS STEEL
GL	HOLLOW CORE WOOD	W	WOOD
HCU	HOLLOW METAL	WV	WOOD VENTIL. CLAD
HM	HOLLOW METAL	PL	PLASTIC LAMINATE
MEF	MEDIUM DENSITY FIBERBOARD		

DOOR AND FRAME TYPES



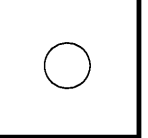
\* - TEMPERED GLAZING

REVISIONS

NO.	DESCRIPTION	DATE	BY

OLIVERI ARCHITECTS  
AA 0002921  
Member of the American Institute of Architects  
32707 US Hwy. 19 Palm Harbor, FL 34684  
Phone: 727.975.1725 Fax: 727.975.1726  
www.oliveriarchitects.com

OLIVERI ARCHITECTS  
ARCHITECTS  
REGISTERED PROFESSIONAL ARCHITECTS  
FLORIDA ARCHITECTS BOARD  
NO. 100000000



NOT FOR CONSTRUCTION

Case No. 18-0000002  
New Building for  
ARBY'S  
Store #8149  
1058 Dunlawton Ave.  
Port Orange, Florida

Date: 08.14.18  
Project Mgr: DM  
Drawn: JDS  
Job: 18-082  
Sheet  
A7b