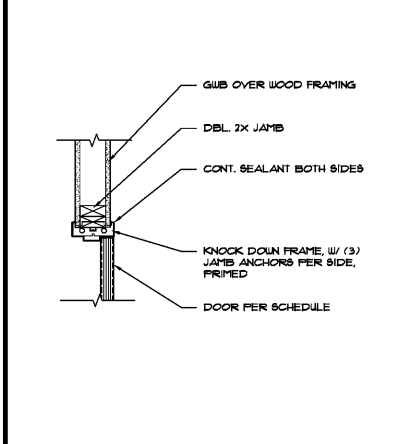


1 FRAME PROFILE
SCALE: 3" = 1'-0"

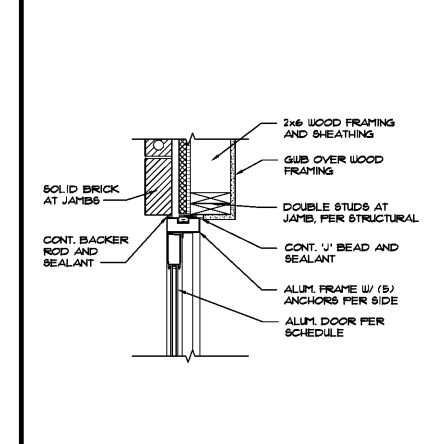
2 HEAD DETAIL
SCALE: 1" = 1'-0"

3 HEAD DETAIL
SCALE: 1" = 1'-0"

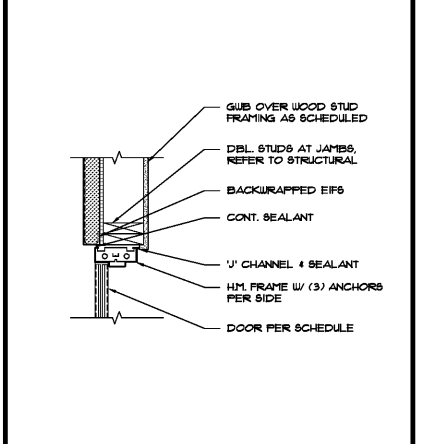
4 HEAD DETAIL
SCALE: 1" = 1'-0"



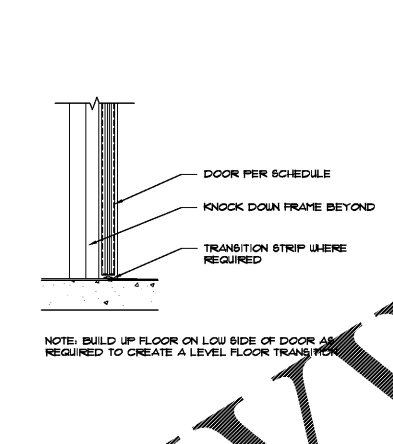
5 JAMB DETAIL
SCALE: 1" = 1'-0"



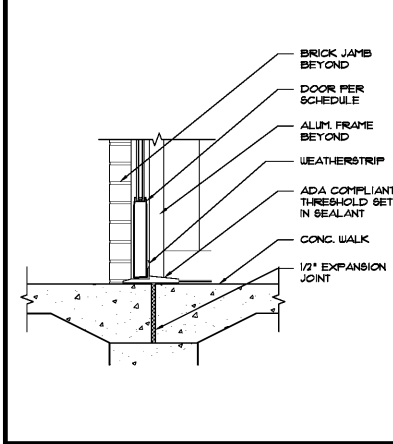
6 JAMB DETAIL
SCALE: 1" = 1'-0"



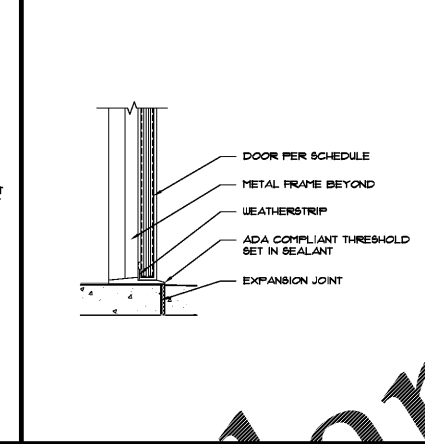
7 JAMB DETAIL
SCALE: 1" = 1'-0"



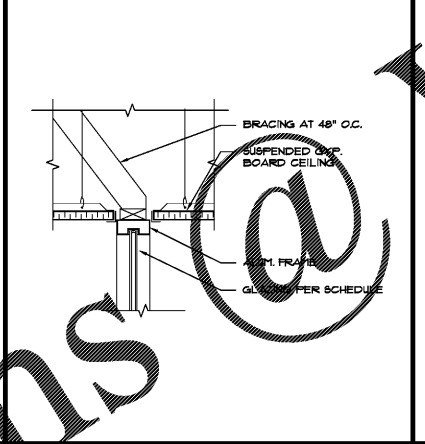
8 SILL DETAIL
SCALE: 1" = 1'-0"



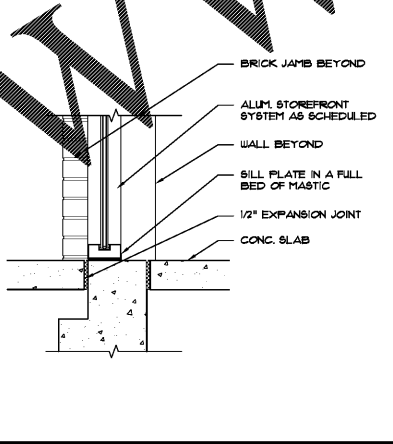
9 SILL DETAIL
SCALE: 1" = 1'-0"



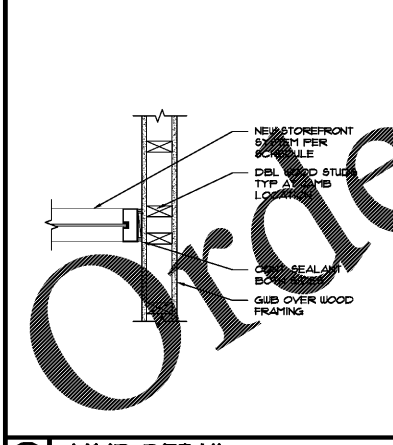
10 SILL DETAIL
SCALE: 1" = 1'-0"



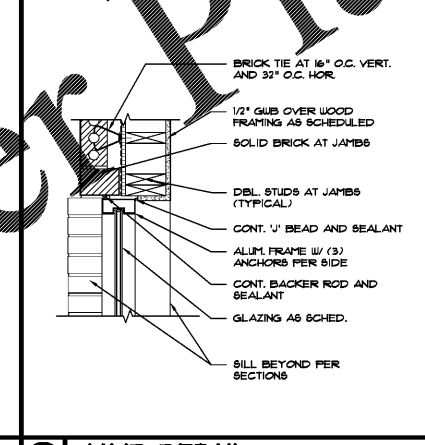
11 HEAD DETAIL
SCALE: 1" = 1'-0"



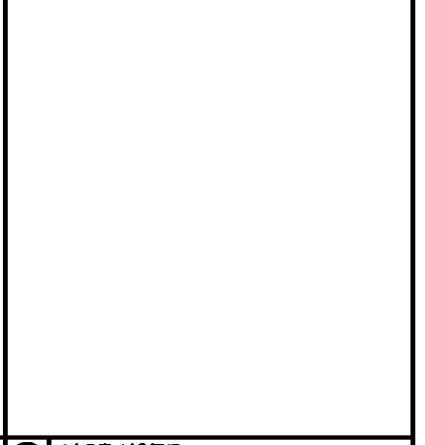
12 SILL DETAIL
SCALE: 1" = 1'-0"



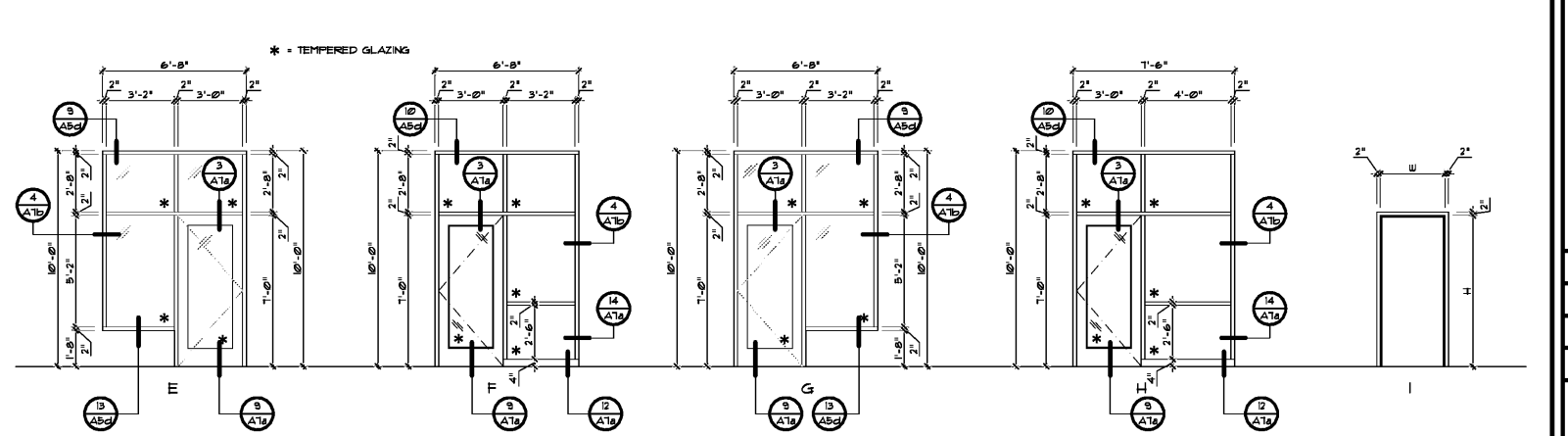
13 JAMB DETAIL
SCALE: 1" = 1'-0"



14 JAMB DETAIL
SCALE: 1" = 1'-0"



15 NOT USED
SCALE: 1/4" = 1'-0"

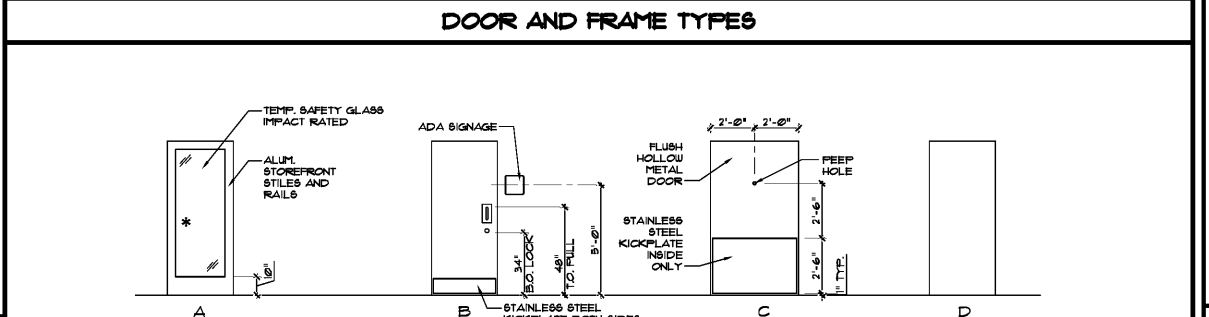


16 DOOR AND FRAME SCHEDULE
SCALE: 1/4" = 1'-0"

DOOR AND FRAME SCHEDULE															
NO.	LOCATION	DOOR			HARDWARE SET	FRAME			DETAILS			RATING	REMARKS		
		SIZE	MATERIAL	FINISH		ELEV.	MATERIAL	FINISH	ELEV.	HEAD	JAMB			SILL	
10A	VESTIBULE	3'-0" x 7'-0"	ALUM	DK BRZ	A/A1a	SET 1	1A/A1a	ALUM	DK BRZ	6/A1a	3/A1a	6/A1a	3/A1a	---	REFER TO STOREFRONT ELEV.
10B	VESTIBULE	3'-0" x 7'-0"	ALUM	DK BRZ	A/A1a	SET 2	1A/A1a	ALUM	DK BRZ	6/A1a	3/A1a	6/A1a	3/A1a	---	REFER TO STOREFRONT ELEV.
10A	VESTIBULE	3'-0" x 7'-0"	ALUM	DK BRZ	A/A1a	SET 1	1A/A1a	ALUM	DK BRZ	6/A1a	3/A1a	6/A1a	3/A1a	---	REFER TO STOREFRONT ELEV.
10B	VESTIBULE	3'-0" x 7'-0"	ALUM	DK BRZ	A/A1a	SET 2	1A/A1a	ALUM	DK BRZ	6/A1a	3/A1a	6/A1a	3/A1a	---	REFER TO STOREFRONT ELEV.
10C	MEN'S RESTROOM	3'-0" x 7'-0" x 1 3/4"	SGID	FLAM	B/A1a	SET 4	1B/A1a	KD HM	PTD	E/A1a	2/A1a	5/A1a	6/A1a	---	REFER TO DECOR DRAWINGS
10D	WOMEN'S RESTROOM	3'-0" x 7'-0" x 1 3/4"	SGID	FLAM	B/A1a	SET 4	1B/A1a	KD HM	PTD	E/A1a	2/A1a	5/A1a	6/A1a	---	REFER TO DECOR DRAWINGS
10	KITCHEN	4'-0" x 7'-0"	NS HM	PTD	C/A1a	SET 3	1B/A1a	WELD HM	PTD	E/A1a	4/A1a	1/A1a	10/A1a	---	REFER TO STOREFRONT ELEV.
13	EQUIPMENT	3'-0" x 7'-0"	NS HM	PTD	D/A1a	SET 6	1B/A1a	WELD HM	PTD	E/A1a	4/A1a	1/A1a	10/A1a	---	REFER TO STOREFRONT ELEV.

HARDWARE SCHEDULE		
SET 1 (EXTERIOR VESTIBULE DOOR)	SET 2 (REAR SERVICE DOOR)	SET 3 (KITCHEN DOOR)
<ul style="list-style-type: none"> 1 HAGER CONTINUOUS HINGE - MATCH DOOR FINISH 1 CAL-ROYAL TROGEO RIM PANIC 48" (EQUAL TO VON DUPRIN 99) 32D 1 SCHLAGE RIM CYLINDER 20-022 626 1 LCN DOOR CLOSER (31-REG-AL (TOP JAMB MOUNT) 1 VES FLOOR STOP F8444 26D 1 HAGER THRESHOLD 4185 AL 1 HAGER WEATHERSTRIP 1365 1 HAGER SWEEP 7535 AL 	<ul style="list-style-type: none"> 1 ROTON 180-1124D CONTINUOUS MORTISE HINGE AL 83" CLEAR 1 CAL-ROYAL TROGEO RIM PANIC 48" (EQUAL TO VON DUPRIN 99) 32D 1 CAL-ROYAL TROGEO NIGHT LATCH/RYM FULL 1 SCHLAGE RIM CYLINDER 20-022 626 1 HAGER 5100 HDHOS 1 HAGER ARMOR PLATE 1338 (BEVELED 3 SIDES) 1/4" X 46" X 3/8" 1 HAGER 2619 CAST FLOOR STOP 3 1/8" DIA 1/4" BUSH 1 HAGER 1750 185 DEGREE VIEWER 265 1 HAGER 5416 PANIC THRESHOLD 28"x5" WITH 1/2" VINYL BUMPER STOP 1 HAGER WEATHERSTRIP 8625 	<ul style="list-style-type: none"> 1 ROTON 180-1124D CONTINUOUS MORTISE HINGE AL 83" CLEAR 1 HAGER 3416 WITH HEAVY DUTY PASSAGE CLOSER 1 HAGER 5100 HDHOS WITH HOLD OPEN ARM 1 HAGER 5416 PANIC THRESHOLD 28"x5" WITH 1/2" VINYL BUMPER STOP 1 HAGER WEATHERSTRIP 8625
SET 2 (INTERIOR VESTIBULE DOOR)	SET 4 (MENS/WOMENS RESTROOM DOOR)	SET 6 (EXTERIOR EQUIPMENT DOOR)
<ul style="list-style-type: none"> 1 HAGER CONTINUOUS HINGE - MATCH DOOR FINISH 1 VES FULL-PUSH BAR 5102S-33-12-32D-NO 1 LCN DOOR CLOSER (31-REG-AL (TOP JAMB MOUNT) 1 HAGER WEATHERSTRIP 1365 1 HAGER SWEEP 7535 AL 1 VES WALL STOP F8438 26D 	<ul style="list-style-type: none"> 1 ROTON 180-1124D CONTINUOUS MORTISE HINGE AL 83" CLEAR 1 HAGER 3416 WITH HEAVY DUTY PASSAGE CLOSER 1 HAGER 5100 HDHOS WITH HOLD OPEN ARM 1 HAGER 5416 PANIC THRESHOLD 28"x5" WITH 1/2" VINYL BUMPER STOP 1 HAGER WEATHERSTRIP 8625 	<ul style="list-style-type: none"> 1 ROTON 180-1124D CONTINUOUS MORTISE HINGE AL 83" CLEAR 1 HAGER 3480 WITH HEAVY DUTY STOREROOM LOCKSET 26D 1 HAGER 5100 HDHOS WITH HOLD OPEN ARM 1 HAGER 5416 PANIC THRESHOLD 28"x5" WITH 1/2" VINYL BUMPER STOP 1 HAGER WEATHERSTRIP 8625

- ### GENERAL DOOR NOTES
- ALL EXTERIOR OR ALUMINUM DOOR FRAMES TO BE PROVIDED AS PART OF THE STOREFRONT SYSTEM. PROVIDE DOOR MANUFACTURER'S STANDARD REINFORCING AT VERTICAL/HORIZONTAL MEMBERS TO MEET CODE REQUIREMENTS UNDER LOADS.
 - THE EXTERIOR SIDE OF ALL HOLLOW METAL DOOR FRAMES AND DOORS TO BE PAINTED TO MATCH BUILDING.
 - ALL HOLLOW METAL DOOR FRAMES SHALL BE 16 GA. WITH ALL HOLLOW METAL DOORS 18 GA. EXTERIOR OR HOLLOW METAL DOOR FRAMES ARE TO BE GROUDED SOLID. COAT INTERIOR OF WITH SUNNY COAT EPOXY SIGN PRIOR TO GROUTING.
 - PROVIDE AN ANTI-CORROSION COATING AND STAINLESS STEEL SCREWS/PASTENERS ON ALL HARDWARE SETS PER MANUFACTURER'S SPECIFICATIONS.
 - ALL DOOR LOCKSETS / PASSAGE SETS SHALL BE OF THE LEVER HANDLE TYPE. HARDWARE SHALL BE PAINTED 40% AEF.
 - MAXIMUM EFFORT TO OPERATE EXTERIOR OR INTERIOR DOORS WITH CLOSERS SHALL NOT EXCEED 5 POUNDS. MAXIMUM EFFORT TO OPERATE EXTERIOR HINGED DOORS WITH CLOSERS SHALL NOT EXCEED 85 POUNDS. THIS MAY BE INCREASED TO 15 POUNDS FOR FIRE-RATED DOORS.
 - THE BOTTOM 18" INCHES OF ALL DOORS SHALL HAVE A SMOOTH AND UNINTERRUPTED SURFACE TO ALLOW THE DOOR TO BE OPENED BY A WHEELCHAIR FOOTREST WITHOUT CREATING A TRAP OR HAZARDOUS CONDITION.
 - VERIFY ALL ROUGH OPENING SIZES AND REQUIREMENTS WITH DOOR MANUFACTURER.
 - COORDINATE OPENINGS & FRAMING WITH PROJECT MANAGER BEFORE INSTALLATION OF DOORS.
 - PROVIDE SOLID FRT. WOOD BLOCKING WITHIN STUD WALL FRAMING ADJACENT TO STRIKE PLATE. BLOCKING TO EXTEND MIN. 12" ABOVE AND BELOW STRIKE PLATE.
 - ALL LOCKSETS TO BE PROVIDED WITH REMOVABLE CONSTRUCTION CORE CYLINDERS SUPPLIED BY HARDWARE MANUFACTURER. CONTRACTOR TO PROVIDE OWNER WITH PERMANENT CORE CYLINDERS FOR MASTER KEYING BY CONTRACTOR AT THE COMPLETION OF THE PROJECT.
 - COORDINATE DOOR HARDWARE & HARDWARE INSTALLATION WITH OWNER.
 - UNDERCUT TOILET ROOM DOOR FOR AIR INTAKE. SEE MECHANICAL SHEETS.
 - ALL HARDWARE TO COMPLY WITH THE LATEST REQUIREMENTS OF ADA/AG/ANSI.
 - ALL HARDWARE MATERIAL AND FUNCTION TO BE COORDINATED WITH OWNER.
 - KEYING SEQUENCE TO BE COORDINATED WITH OWNER.
 - PROVIDE EXIT SIGNAGE AT EACH EXIT DOOR.
 - ALL GLAZING WITHIN ANY DOOR SHALL BE TEMPERED.
 - DOOR THRESHOLDS TO HAVE 1/2" MAX CHANGE OF LEVEL. BEVELED WITH A SLOPE NO GREATER THAN 1:2.
 - DURABLE SIGN WITH LETTERING ON A CONTRASTING BACKGROUND WILL BE PLACED OVER EXIT DOORS STATING "THIS DOOR TO REMAIN UNLOCKED DURING BUSINESS HOURS".
 - HANDLES, PULLS, LATCHES AND OTHER OPERATING DEVICES ON ACCESSIBLE DOORS SHALL HAVE A SHAPE THAT IS EASY TO GRASP WITH ONE HAND AND DOESN'T REQUIRE TIGHT GRABBING, TIGHT FINCHING OR TUBING OF THE WRIST TO OPERATE.
 - REFER TO DECOR DRAWINGS FOR HOLLOW METAL DOOR FRAME PAINT COLOR.
 - ALUMINUM DOORS AND FRAMES ARE TO BE DARK BRONZE ANODIZED
 - ** * * INDICATES TEMPERED GLAZING
 - ALL EXTERIOR STOREFRONT DOORS TO BE IMPACT RATED, FL. PRODUCT APPROVAL #65541
 - ALL EXTERIOR HOLLOW METAL DOORS TO BE IMPACT RATED, FL. PRODUCT APPROVAL #1531



17 DOOR AND FRAME TYPES

REVISIONS BY

OLIVERI ARCHITECTS
AA 0002921
Member of the American Institute of Architects
32707 US Hwy. 19, Port Oageo, FL 32908
Phone: 772.535.1725, 772.535.1726
www.oliveriarchitects.com

NOT FOR CONSTRUCTION

Case No. 18-0000002
New Building for
ARBY'S
Store #8149
1058 Dunlawton Ave.
Port Orange, Florida

Date: 08.14.18
Project Mgr: DM
Drawn: JDS
Job: 18-082
Sheet
A7a