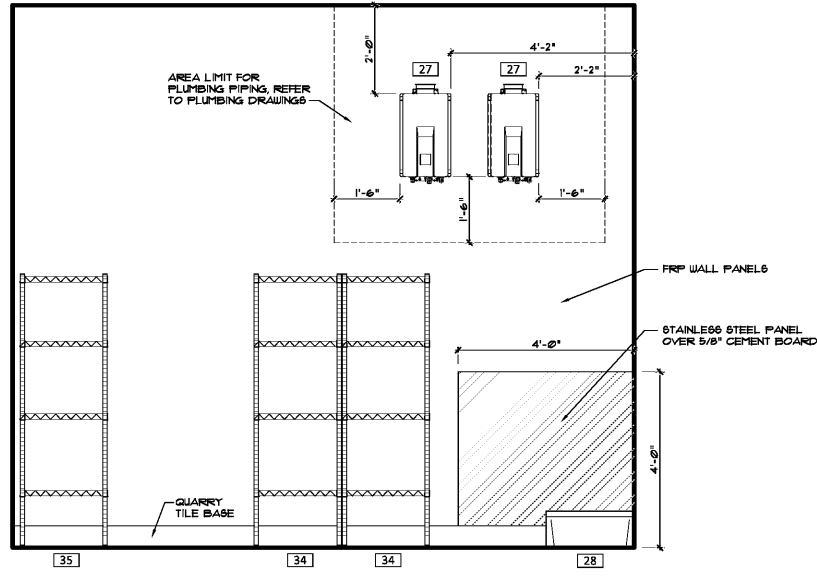
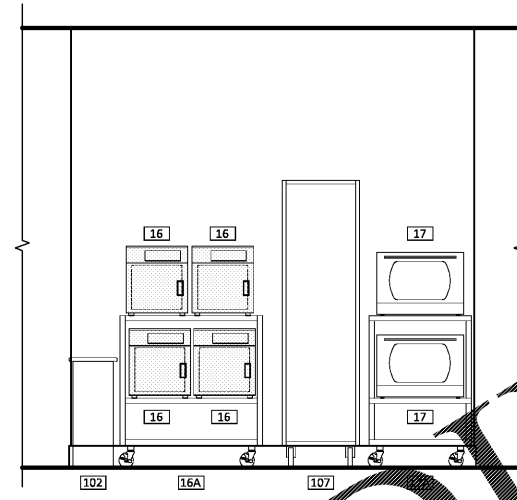


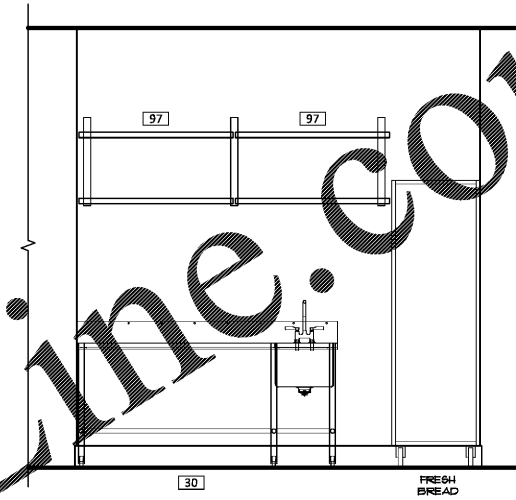
1 KITCHEN ELEVATION
SCALE: 1/2" = 1'-0"



2 KITCHEN ELEVATION
SCALE: 1/2" = 1'-0"



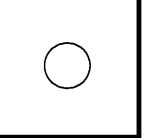
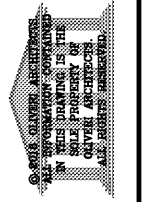
3 KITCHEN ELEVATION
SCALE: 1/2" = 1'-0"



4 KITCHEN ELEVATION
SCALE: 1/2" = 1'-0"

REVISIONS	BY

OLIVERI ARCHITECTS
 AA 0002921
 Member of the American Institute of Architects
 32707 US Hwy. 19 Palm Harbor, FL 34684
 Phone: 727.945.4444
 www.oliveriarchitects.com



NOT FOR CONSTRUCTION

Case No. 18-0000002
 New Building for
ARBY'S
 Store #8149
 1058 Dunlawton Ave.
 Port Orange, Florida

Date: 08.14.18
 Project Mgr: DM
 Drawn: JDS
 Job: 18-082

Sheet
A6b

Order Plans @

WWW.LDLINE.COM