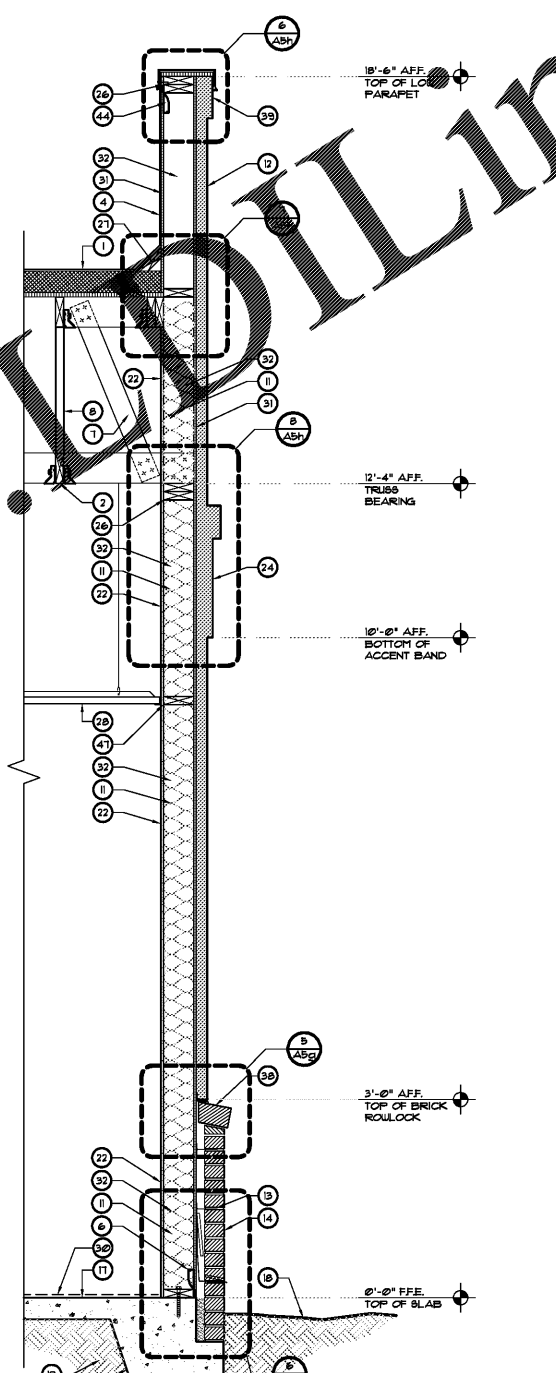
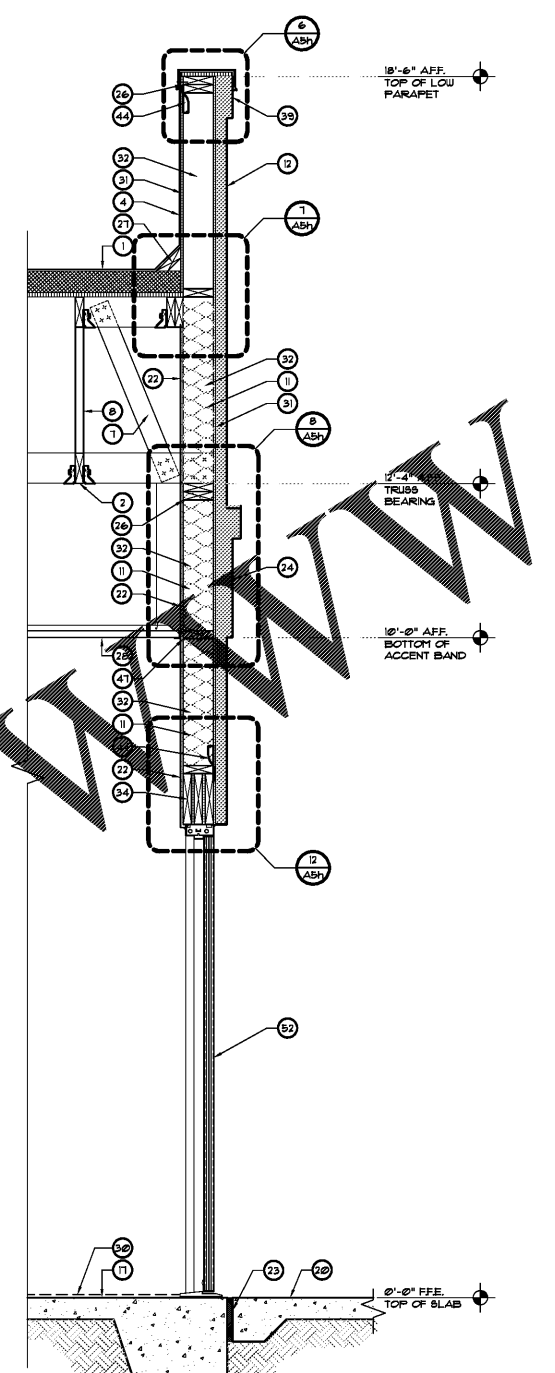
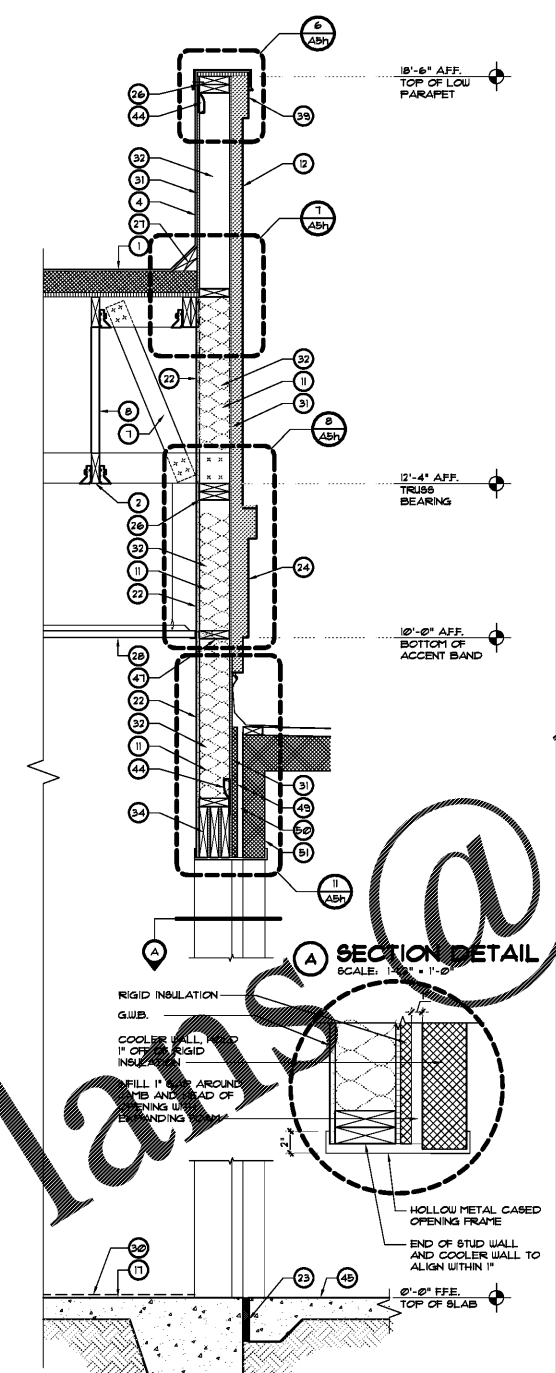
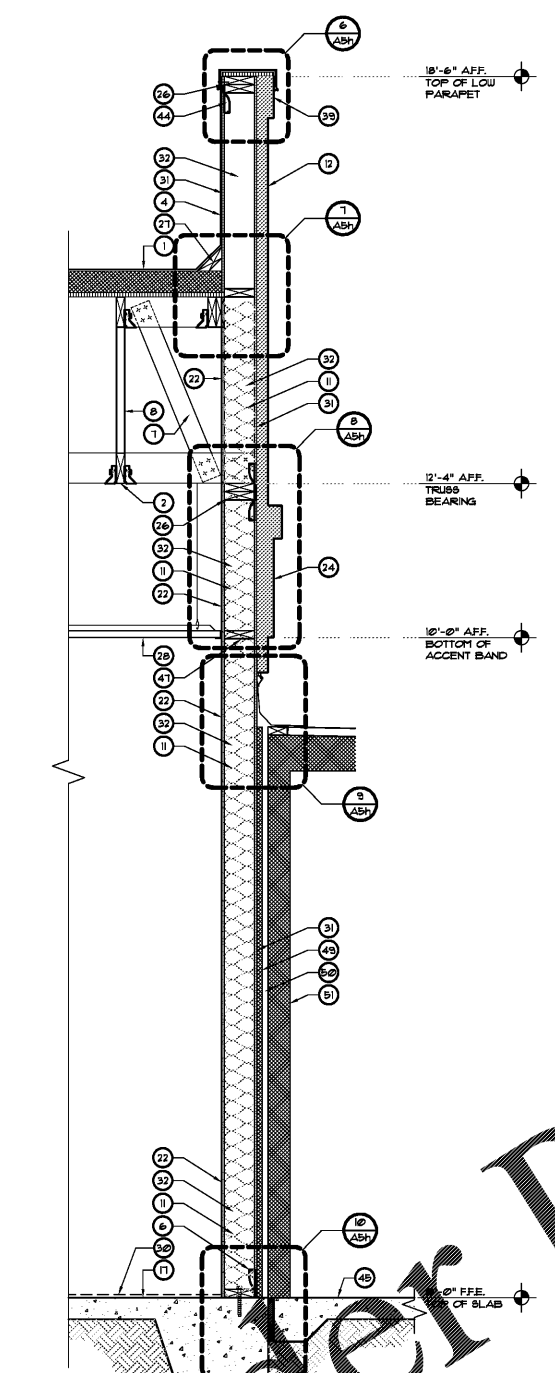


GENERAL NOTES

1. ALL WOOD FRAMING IN CONTACT WITH CONCRETE OR CMU TO BE PRESSURE TREATED WOOD. SEE STRUCTURAL DRAWINGS.
2. REFER TO STRUCTURAL DRAWINGS FOR ALL STRUCTURAL RELATED ELEMENTS FOR MORE DETAILS. GENERAL CONTRACTOR TO NOTIFY ARCHITECT WITH ANY DISCREPANCIES IN WRITING UPON DISCOVERY AND PRIOR TO COMMENCING WITH ANY WORK.

KEYED NOTES

- 1 SINGLE PLY WHITE 40 MIL "DURA LAST" ROOFING MEMBRANE OVER 5" MINIMUM ISOBORD INSULATION TO ACHIEVE R-30 MINIMUM VALUE OVER 5/8" ROOF SHEATHING
- 2 PRE-ENGINEERED WOOD TRUSSES - SEE STRUCTURAL DRAWINGS
- 3 WOOD LINTEL - SEE STRUCTURAL DRAWINGS
- 4 RUN ROOFING MEMBRANE UP AND OVER TOP OF PARAPET UNDER COPING
- 5 PRE-FABRICATED CANOPY / AWNING SYSTEM. SEE EXTERIOR ELEVATIONS
- 6 PROVIDE ADDITIONAL WOOD BLOCKING AT CANOPY / AWNING CONNECTION - COORDINATE WITH VENDOR.
- 7 WOOD STUD BRACINGS - SEE STRUCTURAL DRAWINGS
- 8 5/8" EXTERIOR GRADE PLYWOOD SHEATHING - SEE STRUCTURAL DRAWINGS
- 9 LIGHT FIXTURE - SEE ELECTRICAL DRAWINGS
- 10 ROOF DRAIN - SEE ROOF PLAN
- 11 R-15 INSULATION FROM CONCRETE SLAB TO ROOF INSULATION LEVEL.
- 12 2" THICK EIFS FINISH OVER "TYVEK" BUILDING WRAP OVER 1/2" EXTERIOR GRADE PLYWOOD SHEATHING. COORDINATE WITH STRUCTURAL DRAWINGS.
- 13 BRICK VENEER. PROVIDE 1/2" AIR GAP. SEE EXTERIOR ELEVATIONS. PROVIDE "TYVEK" BUILDING WRAP ON PLYWOOD SHEATHING BEHIND VENEER (TY). PROVIDE 1/2" O.C. INSTALL PER MANUFACTURERS RECOMMENDATION
- 14 BRICK VENEER. PROVIDE 1/2" AIR GAP. SEE EXTERIOR ELEVATIONS. PROVIDE "TYVEK" BUILDING WRAP ON PLYWOOD SHEATHING BEHIND VENEER (TY).
- 15 STOREFRONT DOOR / WINDOW SYSTEM - SEE DOOR / WINDOW SCHEDULE
- 16 BRICK CORNICE, SOLDIER COURSE
- 17 CONCRETE SLAB - SEE STRUCTURAL DRAWINGS.
- 18 APPROXIMATE GRADE.
- 19 CLEAN, COMPACTED FILL - SEE STRUCTURAL DRAWINGS.
- 20 CONCRETE SIDEWALK - SEE SITE PLAN
- 21 CONCRETE FOOTING - SEE STRUCTURAL DRAWINGS.
- 22 1/2" G.W.B. INTERIOR FINISH. EXTEND TO UNDERSIDE OF ROOF DECK ISOLATION JOINT.
- 23 EIFS ACCENT BAND
- 24 DRIVE-THRU WINDOW SYSTEM - SEE WINDOW SCHEDULE
- 25 DOUBLE 2x TOP PLATE - SEE STRUCTURAL DRAWINGS
- 26 CONTINUOUS 4" CANT STRIP.
- 27 LAY-IN CEILING - SEE REFLECTED CEILING PLAN
- 28 CONCRETE CURBS - SEE SITE PLAN
- 29 FINISH FLOOR MATERIAL - SEE ID SHEET
- 30 1/2" EXTERIOR GRADE PLYWOOD SHEATHING - SEE STRUCTURAL DRAWINGS
- 31 2" x 6" WOOD STUD FRAMING - SEE STRUCTURAL DRAWINGS
- 32 BACKER ROD AND SEALANT.
- 33 WOOD BEAM - SEE STRUCTURAL DRAWINGS
- 34 BRICK LEDGE STEEL ANGLE - SEE STRUCTURAL DRAWINGS
- 35 ROOF ACCESS LADDER - SEE DETAIL 3/ASc
- 36 METAL SUPPORT COLUMN SYSTEM PROVIDED AND INSTALLED BY ARBY'S VENDOR
- 37 BRICK ROLLOCK BILL COARSE.
- 38 EIFS CORNICE
- 39 CONCRETE / ASPHALT DRIVE - SEE SITE PLAN
- 40 PROVIDE ADDITIONAL WOOD BLOCKING AT ROOF ACCESS LADDER CONNECTION AS REQUIRED
- 41 CONCRETE FOOTING FOR CANOPY COLUMNS - SEE STRUCTURAL DRAWINGS
- 42 ROOF DRAIN LEADER
- 43 SIMPSON CONNECTOR - SEE STRUCTURAL DRAWINGS
- 44 WALK-IN COOLER CONCRETE SLAB - SEE STRUCTURAL DRAWINGS
- 45 BUILT-UP CRICKET AS REQUIRED - SEE ROOF PLAN
- 46 PROVIDE BLOCKING AS REQUIRED TO ACHIEVE LEVEL CEILING
- 47 ROOF DRAIN LEADER. SEE FLOOR PLAN FOR LOCATION AND TERMINATION
- 48 RIGID INSULATION
- 49 COOLER WALL. HOLD 1" OFF OF RIGID INSULATION
- 50 INFILL 1" GAP AROUND JAMB AND HEAD OF OPENING WITH EXPANDING FOAM
- 51 HOLLOW METAL DOOR AND FRAME SYSTEM. SEE DOOR SCHEDULE.
- 52 THRU-WALL OVERFLOW SCUPPER. PROVIDE FLASHING AS REQUIRED TO PROVIDE WATERTIGHT CONDITION.



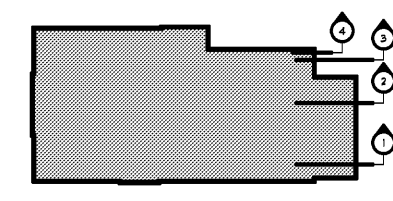
1 WALL SECTION
SCALE: 3/4" = 1'-0"

2 WALL SECTION
SCALE: 3/4" = 1'-0"

3 WALL SECTION
SCALE: 3/4" = 1'-0"

4 WALL SECTION
SCALE: 3/4" = 1'-0"

KEY PLAN



REVISIONS	BY

OLIVERI ARCHITECTS
AA 0002921
Member of the American Institute of Architects
32707 US Hwy. 19 Palm Harbor, FL 34684
Phone: 727.945.1600
www.oliveriarchitects.com

OLIVERI ARCHITECTS
32707 US HWY 19 PALM HARBOR, FL 34684
PHONE: 727.945.1600
WWW.OLIVERIARCHITECTS.COM

NOT FOR CONSTRUCTION

NOT FOR CONSTRUCTION

Case No. 18-0000002
New Building for
ARBY'S
Store #8149
1058 Dunlawton Ave.
Port Orange, Florida

Date: 08.14.18
Project Mgr: DM
Drawn: JDS
Job: 18-082
Sheet
A5c