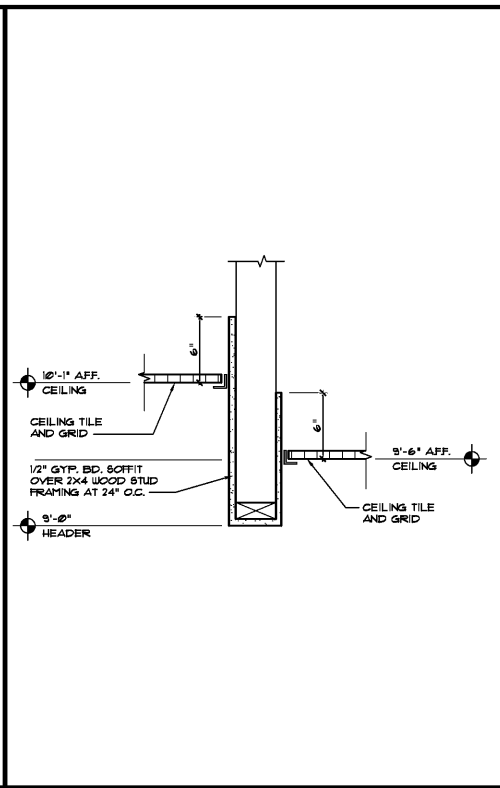
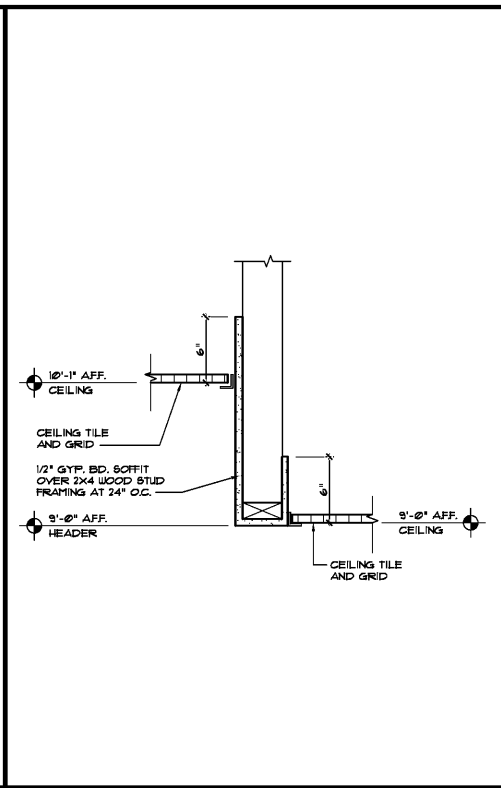


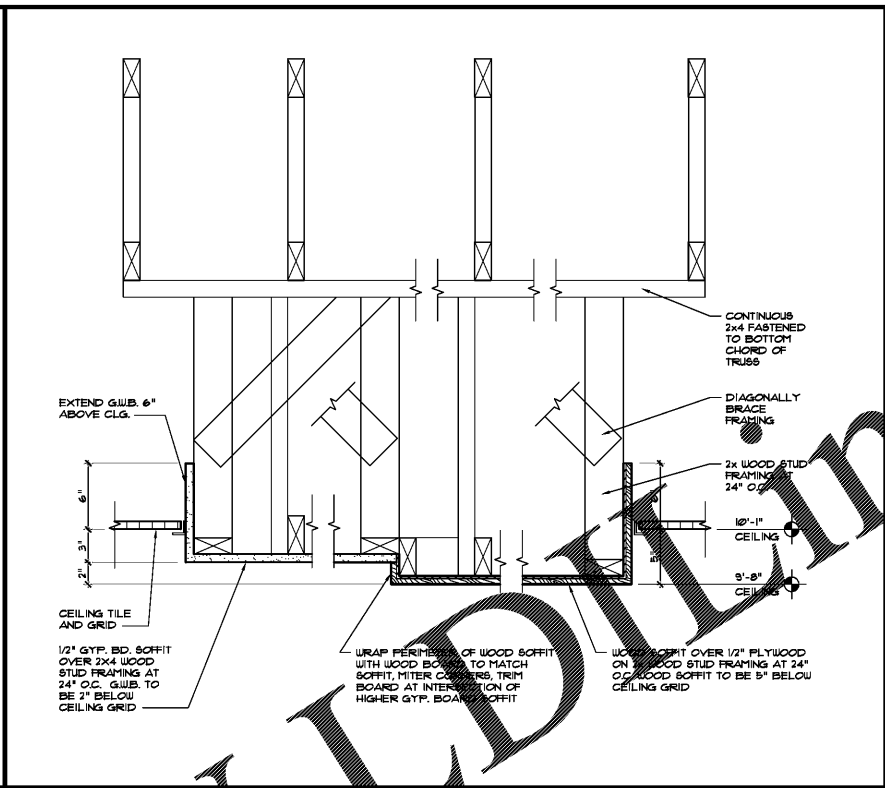
A CEILING DETAIL
SCALE: 1-1/2" = 1'-0"



B CEILING DETAIL
SCALE: 1-1/2" = 1'-0"

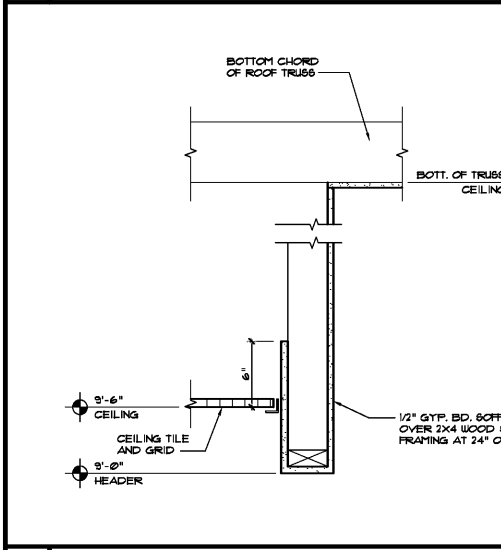


C CEILING DETAIL
SCALE: 1-1/2" = 1'-0"

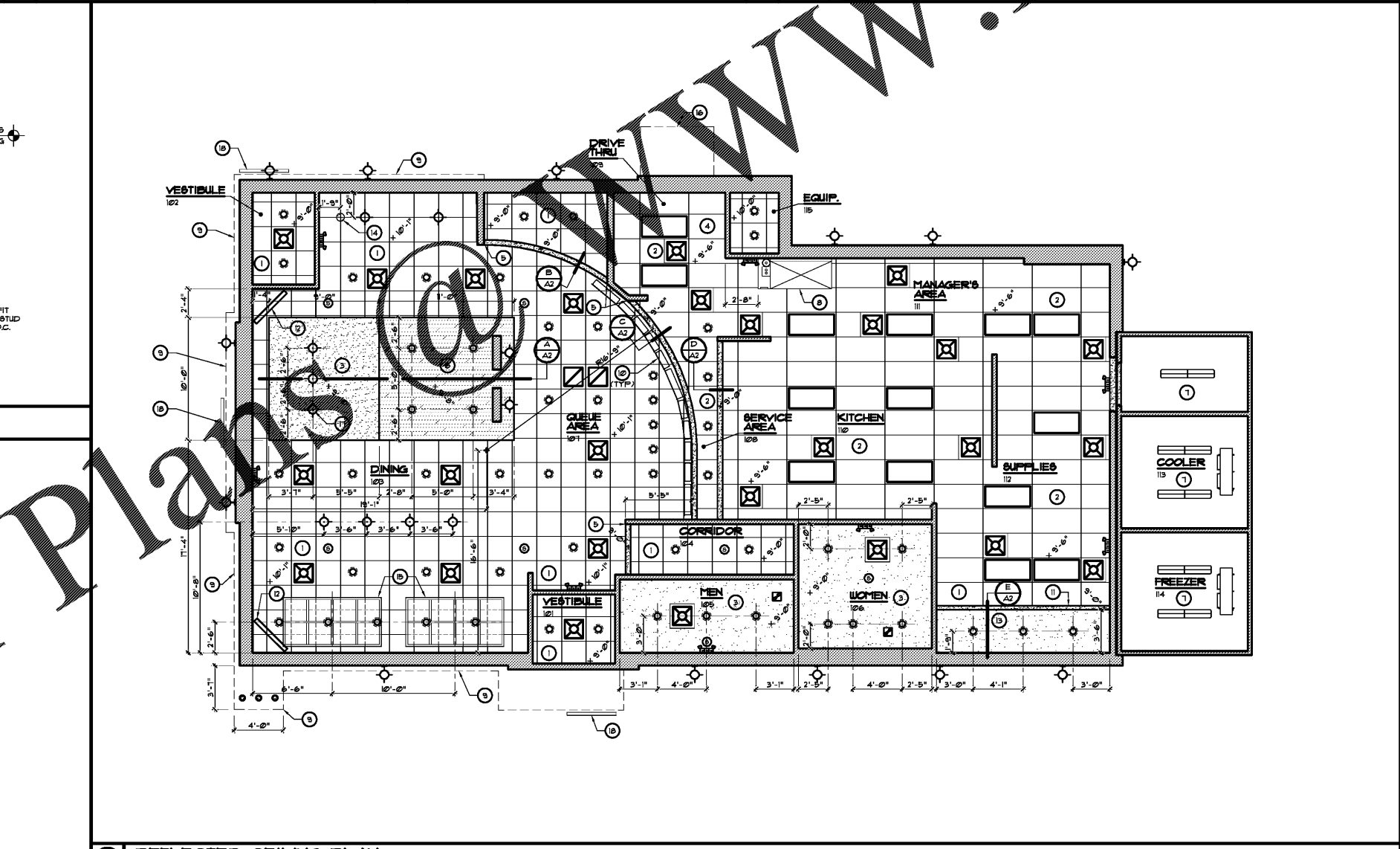


D CEILING DETAIL
SCALE: 1-1/2" = 1'-0"

REFLECTED CEILING LEGEND	
	2' x 4' SUSPENDED CEILING GRID SYSTEM WITH 2' x 4' LAY-IN ACOUSTICAL CEILING TILES
	2' x 2' SUSPENDED CEILING GRID SYSTEM WITH 2' x 2' LAY-IN ACOUSTICAL CEILING TILES
	GYP. CEILING (SMOOTH FINISH)
	2' x 4' FLUORESCENT LIGHT FIXTURE, LAY-IN AT SUSPENDED CEILING GRID SYSTEM - SEE ELECTRICAL FOR MORE INFORMATION
	2' x 4' FLUORESCENT EMERGENCY LIGHT FIXTURE, LAY-IN AT SUSPENDED CEILING GRID SYSTEM - SEE ELECTRICAL FOR MORE INFORMATION
	RECESSED DOWN LIGHT FIXTURE - SEE ELECTRICAL FOR MORE INFORMATION
	WALL MOUNTED LIGHT FIXTURE - SEE ELECTRICAL FOR MORE INFORMATION
	CEILING MOUNTED LIGHT FIXTURE - SEE ELECTRICAL FOR MORE INFORMATION
	HANGING LIGHT FIXTURE - SEE ELECTRICAL FOR MORE INFORMATION
	EMERGENCY LIGHT FIXTURE - SEE ELECTRICAL FOR MORE INFORMATION
	EXIT LIGHT FIXTURE - SEE ELECTRICAL FOR MORE INFORMATION
	SMOKE DETECTOR - SEE MECHANICAL FOR MORE INFORMATION
	EXHAUST FAN - SEE MECHANICAL FOR MORE INFORMATION
	MECHANICAL SUPPLY REGISTER - SEE MECHANICAL FOR MORE INFORMATION
	MECHANICAL RETURN REGISTER - SEE MECHANICAL FOR MORE INFORMATION
	SPEAKER - SEE ELECTRICAL DRAWINGS FOR MORE INFORMATION



E CEILING DETAIL
SCALE: 1-1/2" = 1'-0"



1 REFLECTED CEILING PLAN
SCALE: 3/16" = 1'-0"

- KEYED NOTES**
- SUSPENDED ACOUSTICAL CEILING TILE. REFER TO DECOR DRAWINGS FOR SPECIFICATION.
 - SUSPENDED VINYL FACED CEILING TILE. REFER TO DECOR DRAWINGS FOR SPECIFICATION.
 - SUSPENDED GYP. BOARD CEILING, REFER TO DECOR DRAWINGS.
 - SEE ELECTRICAL DRAWINGS FOR EXACT LOCATIONS OF MONITORS.
 - ALIGN EDGE OF SOFFIT WITH CORNER OF WALL.
 - WOOD PLANK SOFFIT, REFER TO DECOR DRAWINGS, REFER TO DETAIL A/A2
 - COOLER/FREEZER LIGHT FIXTURES PROVIDED BY OWNER AS PART OF COOLER/FREEZER PACKAGE, INSTALLED BY G.C.
 - EXHAUST HOOD WITH VAPOR PROOF LIGHTS PROVIDED BY HOOD MFR. REFER TO HOOD DRAWINGS.
 - NEW CANOPY/ACCENT BAND.
 - MENU BOARD FURNISHED BY OWNER AND INSTALLED BY G.C. MOUNT BELOW SOFFIT. (LOCATION OPTION #)
 - BULKHEAD, BOTTOM 6" BELOW LOWEST ADJACENT CEILING.
 - NEW FLAT PANEL TELEVISION
 - GYP. BOARD CEILING ON BOTTOM OF TRUSS.
 - ORIGIN OF CEILING GRID.
 - COORDINATE LOCATION OF TRELIS WITH LIGHT. LIGHT FIXTURE TO BE CENTERED IN TILE. REFER TO DECOR DRAWINGS.
 - LINE OF DRIVE-THRU CANOPY ABOVE
 - ALIGN PENDANT FIXTURES OVER COMMUNAL TABLE, REFER TO DECOR DRAWINGS.
 - BUILDING SIGNAGE PROVIDED AND INSTALLED BY OWNER

- GENERAL NOTES**
- CENTER ACOUSTIC CEILING SYSTEM GRID WITHIN EACH ROOM UNLESS NOTED OTHERWISE.
 - SEE MECHANICAL AND ELECTRICAL SHEETS FOR HVAC DEVICE AND LIGHT FIXTURE LOCATIONS.
 - EXPOSED INSULATION TO HAVE A FLAME SPREAD RATING OF 25 OR LESS & A SMOKE DEVELOPMENT RATING OF 450 OR LESS PER.
 - CONCEALED INSULATION TO HAVE A FLAME SPREAD RATING OF 25 OR LESS & A SMOKE DEVELOPMENT RATING OF 450 OR LESS PER.
 - MATERIALS IN FLETHM SPACES SHALL BE NONCOMBUSTIBLE OR SHALL HAVE A FLAME SPREAD INDEX OF NOT MORE THAN 25 AND A SMOKE - DEVELOPED INDEX OF NOT MORE THAN 50 PER.
 - STUD CONTRACTOR TO COORDINATE FRAMING AROUND HVAC DUCTS, PIPES, CONDUITS AND OTHER ITEMS LOCATED ABOVE FINISHED CEILING.
1. SEE ELECTRICAL DRAWINGS FOR SWITCHING AND CIRCUIT INFORMATION.
2. REFER TO THE DECOR DRAWINGS PRIOR TO FRAMING THE BULKHEAD OVER THE SEATING AREA. DIMENSIONS ARE SUBJECT TO CHANGE BASED ON SEATING LAYOUT.
3. ALL EDGE TRACKS OF FRP WALLS ARE TO BE SEALED TO WALL AND ALL CEILING TILE PENETRATIONS TO HAVE TRIM ALONG EDGES, TYPICAL THROUGHOUT.
4. REFER TO DECOR DRAWINGS FOR ALL DECORATIVE LIGHTING LOCATIONS AND DECORATIVE CEILING TREATMENTS. G.C. IS TO CONFIRM WITH OWNER IF THESE ITEMS ARE PROVIDED BY OWNER.

REVISIONS	BY

OLIVERI ARCHITECTS
AA 0002921
Member of the American Institute of Architects
32707 US Hwy. 19, Bldg. 1705, Palm Harbor, FL 34684
Phone: 727.945.1000 Fax: 727.945.1002
www.oliveriarchitects.com

NOT FOR CONSTRUCTION

Case No. 18-0000002
New Building for
ARBY'S
Store #8149
1058 Dunlawton Ave.
Port Orange, Florida

Date: 08.14.18
Project Mgr: DM
Drawn: JDS
Job: 18-082
Sheet
A2

Order Plans