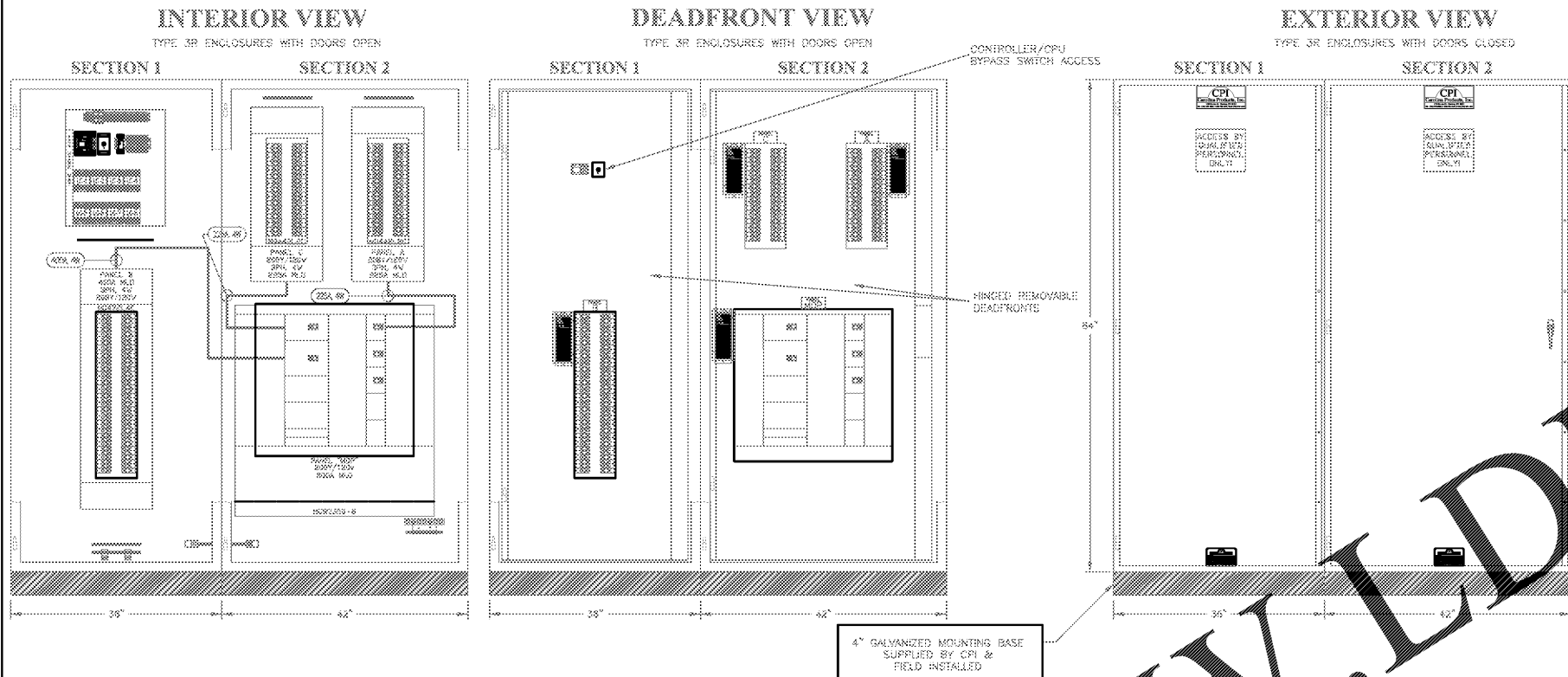


1.0 INTERIOR/DEADFRONT/EXTERIOR CABINET VIEWS



**SYSTEM NOTES**

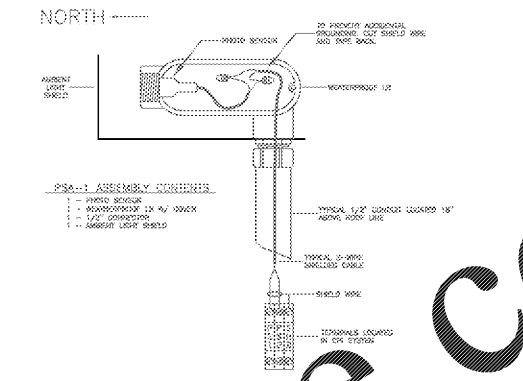
LIGHTING CONTROL SYSTEM IS PRE-MANUFACTURED AND WIRED BY CPI.

CPI-400 LIGHTING CONTROLLER HAS BASIC 24 HOUR LIGHTING SCHEDULE PRE-PROGRAMMED BY CPI. FOR CUSTOM STORE PROGRAM PLEASE CALL CPI TOLL FREE: 1-800-736-4455 FOR STEP BY STEP MANUAL PROGRAMMING ASSISTANCE.

CPI WILL FACTORY PRE-WIRE LINE SIDE OF LIGHTING CONTACTORS. CONTRACTOR SHALL WIRE LOAD SIDE IN THE FIELD.

ALL FEEDERS FROM PANEL TO PANEL (WITHIN CPI CABINET) ARE FACTORY PRE-WIRED. ALL PANELS ARE FACTORY PRE-STUFFED, ASSEMBLED AND MOUNTED IN CPI CABINET.

AMP. RATING	FACTORY FEEDER SIZE	OF CONDUCTORS SIZE
100A, 4W	83 AWG	
150A, 4W	63 AWG	
225A, 4W	42 AWG	
400A, 4W	143 AWG	



1. SELECT A POSITION ON THE ROOF THAT IS FREE FROM ANY OBSTRUCTIONS.
2. STUB A 1/2" CONDUIT A MINIMUM 18" ABOVE THE ROOF LINE.
3. ATTACH THE PSA-1 ASSEMBLY TO THE CONDUIT USING THE 1/2" CONNECTOR PROVIDED WITH THE PSA-1 ASSEMBLY.
4. TO ENSURE PROPER OPERATION, THE PHOTO SENSOR MUST FACE NORTH. PULL A 2-WIRE SHIELDED CABLE FROM THE CPI SYSTEM TO THE PSA-1 ASSEMBLY.
5. CONNECT LIKE COLOR WIRES. IT IS IMPORTANT THAT THE SHIELD WIRE IS TIGHT AND TAPED BACK AT THE SENSOR TO PREVENT ACCIDENTAL CONTACTING. IF POTENTIAL GROUNDING OCCURS, THE SENSOR MAY NOT PERFORM PROPERLY.
6. AFTER WIRING CONNECTIONS HAVE BEEN MADE ATTACH GASKET AND COVER WEATHERPROOF LB SUPPLIED AS PART OF PSA-1 ASSEMBLY. IF SENSOR IS EXPOSED TO A BRIGHT LIGHT SOURCE, SUCH AS PARKING LOT LIGHTS, ADJUST THE AMBIENT LIGHT SHIELD TO LIMIT THE EFFECTS OF THIS LIGHT SOURCE. DO NOT REMOVE THE AMBIENT LIGHT SHIELD.
7. CONNECT THE OTHER END OF THE 2-WIRE SHIELDED CABLE TO THE TERMINALS IN THE CPI SYSTEM AS SHOWN ABOVE.
8. INSTALLATION IS COMPLETE.

**AROLINA PRODUCTS, INC.**  
1100 W. ROYAL DR.  
CHARLOTTE, NC 28211  
PHONE: (704) 544-9029  
FAX: (704) 361-2215

THIS DRAWING IS THE PROPERTY OF CAROLINA PRODUCTS, INC. ANY USE OR REPRODUCTION WITHOUT WRITTEN CONSENT IS PROHIBITED.

**REVISIONS:**

REVISION 1:  
REVISION 2:  
REVISION 3:

**SHEET DESCRIPTION:**

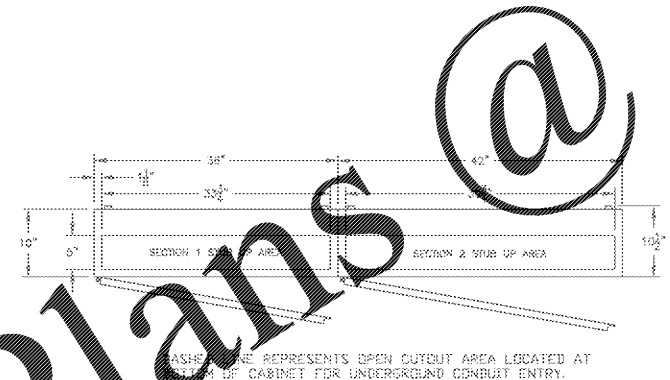
EXTERIOR/INTERIOR VIEWS  
PHOTO SENSOR DETAIL  
CPI-400 LTG CNTRL SCREEN DETAILS

**PROJECT OVERVIEW:**

PROJECT NAME: KRISPY KREME  
PROJECT CITY: 2016 PROTOTYPE

**CPI PROJECT INFORMATION:**

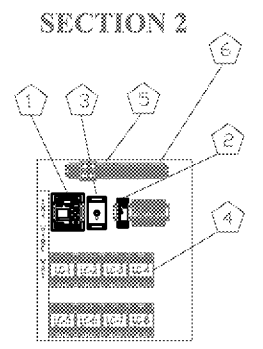
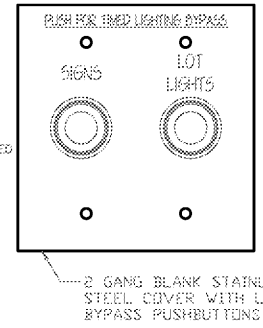
CPI PROJECT #: 19745A  
DATE: 01/11/16  
DRAWN BY: JBU  
**SHEET: 1.0**



**REMOTE LIGHTING BYPASS CONTROL**  
LOCATED IN MANAGER'S OFFICE OR AT LOCATION DESIGNATED BY CUSTOMER.

PUSHBUTTONS ALLOW FOR LIGHTING BYPASS FROM INSIDE THE BUILDING.

STAINLESS STEEL BYPASS PLATE IS INSTALLED AND WIRED BY CONTRACTOR BACK TO CPI PANEL SECTION 2 CONTROL SCREEN. (SEE SHEET 2 FOR DETAIL.)



1. CPI-400 PROGRAMMABLE LIGHTING CONTROLLER (FOUR OUTPUTS CONTROLLED).
2. 120VAC/24VDC POWER SUPPLY
3. ON/OFF/EMERGENCY LIGHTING CONTROL SYSTEM MASTER SWITCH. THIS SWITCH TURNS ON/OFF THE CPU OR OVERRIDES THE CPU AND TURNS ALL 4 OUTPUTS ON IN EMERGENCY BYPASS.
4. 4P/30A LIGHTING CONTACTOR.
5. TERMINAL BLOCKS FOR EASY FIELD CONNECTIONS.
6. TERMINAL BLOCKS FOR SHUNT TRIP CONNECTIONS. (2) FOR SHUNT TRIPS IN PANEL "MDP" TERMINALS TO REMOTE BYPASS BOX SHIPPED LOOSE.

NOTE: E.C. SHALL PROVIDE PERMANENT LABEL ON FRONT EXTERIOR OF CPI PANEL STATING MAXIMUM AVAILABLE FAULT CURRENT AS CALCULATED USING VALUE OBTAINED FROM LOCAL UTILITY COMPANY, PER NEC 110.24(A).

NOTE: CPI SYSTEM TO BE FURNISHED BY OWNER NATIONAL VENDOR AND INSTALLED BY E.C.

NOTE: E.C. SHALL REFER TO CPI SHOP DRAWINGS FURNISHED BY OWNER NATIONAL VENDOR FOR FINAL CONNECTION AND WIRING.

Order Plans @ [www.linedline.com](http://www.linedline.com)

**KRISPY KREME DOUGHNUTS**  
1730 E. NINE MILE ROAD  
PENSACOLA, FL 32514

**Kenneth L. Kraus**  
P.E. # 74120  
308 Oak Grove Drive  
Wausonville, OH 43084  
T (647) 719-1708 F (647) 719-1738  
Plumbing Mechanical Electrical

**FLORIDA PROFESSIONAL ENGINEER**  
LICENSE # 74120  
STATE OF FLORIDA  
DATE: 06/23/18

PROJECT NO.: 18-004  
CHECKED BY: KIK  
DRAWN BY: STAFF  
SHEET TITLE: CPI DETAILS  
SHEET NO.:

6549 E9 07/17/18