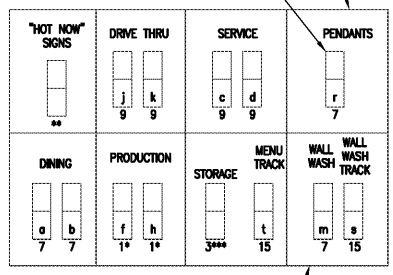


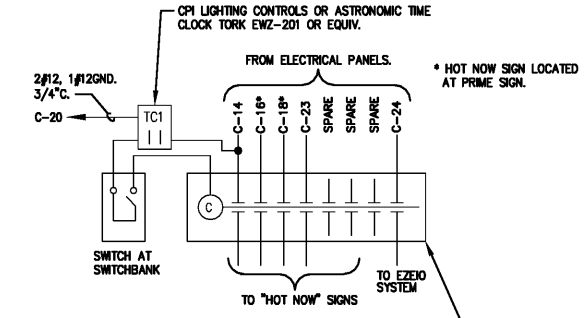
E.C. SHALL PROVIDE APPROPRIATE NUMBER OF BOXES TO INSTALL SWITCHING. ADJUST AS REQUIRED TO FIT ACTUAL WALL SPACE WHILE STILL MAINTAINING ALL ADA REQUIREMENTS.

E.C. SHALL MOUNT SWITCHING AT 48" AFF MAX. TO CENTER OF TOP SWITCH. ALL SWITCHES SHALL BE AT A CODE COMPLIANT HEIGHT.



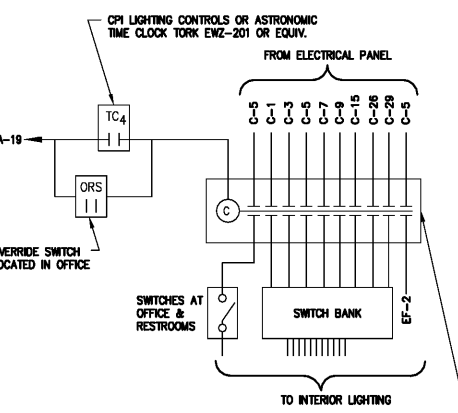
E.C. SHALL PROVIDE APPROPRIATE NUMBER OF WALL PLATES WITH TITLES ENGRAVED IN 0.125" LETTERS.
 * = 3-WAY SWITCH. SEE PLANS FOR LOCATION OF MATCHING SWITCH.
 ** = SEE CONTACTOR DETAIL 3/E3, THIS PAGE.
 *** = CEILING OCC SENSOR THAT AUTO-OFF ON 50%; 3-WAY SWITCHES THAT MANUAL TAKE LEVELS UP TO FULL.

2 SWITCH BANK ELEVATION
 SCALE: N.T.S.



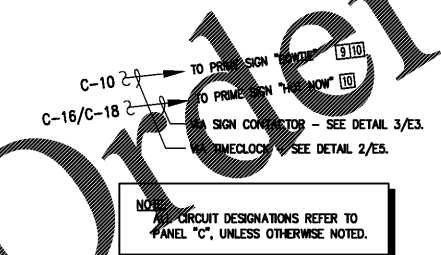
CONTACTORS PROVIDED W/ CPI SWITCHGEAR. IF NOT PROVIDED E.C. SHALL PROVIDE (1) 8-POLE LIGHTING CONTACTOR (SQ D LG-80, OR EQUAL) TO ACCOMMODATE NUMBER OF POLES REQUIRED. DETAIL IS DIAGRAMMATIC IN NATURE.

3 SIGN CONTACTOR DETAIL
 SCALE: N.T.S.



CONTACTORS PROVIDED W/ CPI SWITCHGEAR. IF NOT PROVIDED E.C. SHALL PROVIDE (1) 10-POLE LIGHTING CONTACTOR (SQ D LG-1000, OR EQUAL) TO ACCOMMODATE NUMBER OF POLES REQUIRED. DETAIL IS DIAGRAMMATIC IN NATURE.

4 LIGHTING CONTROL DIAGRAMS
 SCALE: NONE



NOTE: EXTERIOR LIGHTING SHALL BE CONTAINED IN CUT-OFF TYPE LUMINAIRES AND SHALL BE DIRECTED IN TOWARD THE PROPERTY SO AS NOT TO CREATE LIGHT TRESPASS ON TO ADJACENT PROPERTIES.

LUMINAIRE SCHEDULE

MARK	QTY.	DESCRIPTION	MANUFACTURER	MODEL NUMBER	LAMPS	INPUT WATTS	NOTES
C1	1	34" CUSTOM DRUM PENDANT	LUMETTA	P53414-WHITE CORD - F7-D141-INC 3-120-LTW	(3) LEDSA1930K (TCP)	30	WHITE CORD, BOTTOM OF FIXTURE AT 8'-0" AFF
C2	2	23" CUSTOM DRUM PENDANT	LUMETTA	P52314-WHITE CORD - F7-D40-INC 3-120-LTW	(3) LEDSA1930K (TCP)	30	WHITE CORD, BOTTOM OF FIXTURE AT 7'-6" AFF
C3	1	18" CUSTOM DRUM PENDANT	LUMETTA	P51814-WHITE CORD - F7-D142-INC 1-120-LTW	(1) 9A19LED/830DIM 120V [45905-7]	10	WHITE CORD, BOTTOM OF FIXTURE AT 7'-0" AFF
D1	3	2X4 LAY-IN	MAXLITE	MLFP-24EP-40-35	LED INCLUDED	40	"NL" FIXTURES TO BE ORDERED AS "MLFP-24EP-40-35-EM"
D2	3	2X4 LAY-IN	MAXLITE	MLFP-24EP-48-35	LED INCLUDED	48	"NL" FIXTURES TO BE ORDERED AS "MLFP-24EP-48-35-EM"
D3	10	2X4 SURFACE MOUNT	MAXLITE	MLFP-24EP-48-35	LED INCLUDED	48	"NL" FIXTURES TO BE ORDERED AS "MLFP-24EP-48-35-EM", SURFACE MOUNTING KIT: MAXLITE "MLSMKFP243-215"
E	13	RECESSED 6" LED	CSL	EDLS-RM-35-2-EDLS-80-OPTIC-1	LED INCLUDED	30	EM FIXTURE SHALL BE ORDERED W/ EM-1002. COORDINATE PRE-CUT OPENINGS IN CANOPY W/ SIGNAGE VENDOR.
E/EM	2	RECESSED 6" LED	CSL	EDLS-RM-35-2-EDLS-80-OPTIC-1	LED INCLUDED	30	EM FIXTURE SHALL BE ORDERED W/ EM-1002. COORDINATE PRE-CUT OPENINGS IN CANOPY W/ SIGNAGE VENDOR.
F1	13	WALL WASH	ELITE	ROUGH-IN: HHBADJ-LED-2000L-DIM10-120-WD-35K-85+ REFLECTOR: HHBADJ-6555-CL-WH	LED INCLUDED	32	W/ HHBADJ-6555-CL-WH, 0° TILT
F2	9	WALL WASH	ELITE	ROUGH-IN: HHBADJ-LED-2000L-DIM10-120-WD-35K-85+ REFLECTOR: HHBADJ-6555-CL-WH	LED INCLUDED	32	W/ HHBADJ-6555-CL-WH, LENSED TRIM WHITE
G1	28	RECESSED 6" LED	ELITE	HHB-LED-2000L-DIM10-120-WD-35K-85+	LED INCLUDED	32	W/ HHB-6501-CL-WH, LENSED TRIM WHITE, ORDERED W/ EMG-LED
G1/EM	2	RECESSED 6" LED	ELITE	HHB-LED-2000L-DIM10-120-WD-35K-85+	LED INCLUDED	32	W/ HHB-6501-CL-WH, LENSED TRIM WHITE, ORDERED W/ EMG-LED
G2	9	RECESSED 6" LED	ELITE	HHB-LED-900L-DIM10-120-WD-35K-85+	LED INCLUDED	15	W/ HHB-6501-CL-WH, LENSED TRIM WHITE
G2/EM	1	RECESSED 6" LED	ELITE	HHB-LED-900L-DIM10-120-WD-35K-85+	LED INCLUDED	15	W/ HHB-6501-CL-WH, LENSED TRIM WHITE, ORDERED W/ EMG-LED
H	3	SWELL NARROW PENDANT	PABLO	SWEL SNG NRW BLK/BRA	INCLUDED	11	SUSPENDED FROM BOTTOM OF STRUCTURE AT 6'-8" AFF TO BOTTOM OF FIXTURE
J	10	OUTDOOR LED STRIP	CELESTIAL LIGHTING	SER-GX-W30-F	LED - 4.3 WATTS / FOOT	-	LED INCLUDED
K	3	TECH CONE PENDANT	TECH LIGHTING	700-MP-CON-A-Z	INCLUDED	50	SUSPENDED FROM BOTTOM OF STRUCTURE AT 7'-4" AFF TO BOTTOM OF FIXTURE
L	8	TRACK LIGHT FIXTURE	CONTECH	CTL-8071-F-35-D-P	LED INCLUDED	15	120V ONLY
M	7	MENU BOARD TRACK FIXTURE	CONTECH	CTL-8071-F-35-D-P	LED INCLUDED	18	120V ONLY
T8	7	6'-0" LIGHT TRACK	CONTECH	LT-6-P	-	-	WHITE
TL	-	LED FLEXIBLE LINEAR TAPE LIGHT	JESCO	DL-FLEX-UP-ULTRA-NIC-35	LED - 3.2 WATTS / FOOT	-	TO BE ORDERED WITH "CH-SM-35" MOUNTING BRACKET
V	2	DECORATIVE VANITY LIGHT	LUMINANCE	F9889-80	LED878(L24FG835/SUB/GE) (GLASS) (75065)	(2) 34	CENTERED ON MIRROR AND LAMP
W	8	EXTERIOR WALL PACK	DECO	D440-LED-40-40-UNV-D-T3-BL	LED INCLUDED	40	MOUNT AT 10'-8" AFF TO CENTER OF STRUCTURE - SEE EXTERIOR ELEVATIONS.
X	1	EXIT LIGHT	EXITRONIX	902E-U-WB-RC-WH	LED INCLUDED	4	WHITE W/ RED LETTERS, MIRROR PANEL, SINGLE FACE, UNIVERSAL MOUNTING, BATTERY BACK-UP
X1	2	EXIT LIGHT	EXITRONIX	902E-U-WB-RC-WH	LED INCLUDED	4	WHITE W/ RED LETTERS, CLEAR PANEL, EDGE-LIT, SINGLE FACE, UNIVERSAL MOUNTING, BATTERY BACK-UP
X1D	1	EXIT LIGHT - DOUBLE-SIDED	EXITRONIX	903E-U-WB-RM-WH	LED INCLUDED	4	WHITE W/ RED LETTERS, MIRROR PANEL, EDGE-LIT, DOUBLE FACE, UNIVERSAL MOUNTING, BATTERY BACK-UP
X2	1	EXTERIOR EMERGENCY EGRESS	EXITRONIX	TRL-ACEM-WH	LED INCLUDED	11	WHITE FINISH, W/ LED W/ 90-MINUTE BATTERY BACKUP
XEM	2	2 HEAD EMERGENCY LIGHT	EXITRONIX	LED-52-WH	LED INCLUDED	2	2W PERFORMANCE LED HEADS, WHITE FINISH, BACK MOUNT

LIGHTING PLAN NOTES

- DOWN LIGHT FIXTURES INDICATED AS NIGHT LIGHTS (DESIGNATED "NL") SHALL BE CONNECTED TO THE LIGHTING CIRCUIT AHEAD OF ANY SWITCHING DEVICES (UNSWITCHED HOT), TO PROVIDE AN ALWAYS ON NIGHT LIGHT.
- RESTROOM AND OFFICE LIGHTS TO BE CONTROLLED BY WALL MOUNTED OCCUPANCY SENSOR TYPE SWITCH.
- CONNECT ALL EMERGENCY AND EXIT LIGHTS TO LOCAL LIGHTING CIRCUIT AHEAD OF ANY SWITCH (I.E. UNSWITCHED HOT TO EQUIPMENT) PER NEC 700.12E. CIRCUIT WITH 1/2" CONDUIT, 2 #12.
- SWITCH BANK LOCATION. REFER TO ELEVATION ON THIS SHEET, DETAIL 2/E3.
- LINEAR LED FIXTURES WITH DESIGNATION ("NL/EM") SHALL BE ORDERED WITH EMERGENCY BATTERY PACK CAPABLE OF POWERING EACH FIXTURE FOR 90 MINUTES. THE EMERGENCY BATTERY PACK SHALL BE CONNECTED TO THE LIGHTING CIRCUIT AHEAD OF ANY SWITCHING DEVICES (UNSWITCHED HOT), TO PROVIDE AN ALWAYS ON NIGHT LIGHT AND CONTINUOUS CHARGING OF THE BATTERY PACK.
- EQUIPMENT POWER DROPOUNDS. SEE SHEETS E2 AND E8 FOR DETAILS.
- NOT USED.
- HOOD LIGHT FIXTURES FURNISHED WITH HOOD SHALL PROVIDE LAMPS. SEE HOOD CONTROL PANEL DETAIL 2/E3 SHEETS FOR HOOD LIGHTS.
- NOT USED.
- SEE SHEET E1 FOR SITE PLAN FOR LOCATION OF LOT LIGHTS AND PRIME SIGN. SEE SHEET E3-1 FOR WIRE LAYOUT AND WIRE LAYOUT. VERIFY VOLTAGE DROP IS 3% OR LOWER. CONNECT SWITCH FOR PRIME SIGN SHALL BE FURNISHED BY SIGN CONTRACTOR. PROVIDE 1/2" C. FOR PRIME SIGN, WITH (2) SETS OF 2 #8, 1 #10 GND FOR HOT NOW SIGNS AND (1) OF 2 #8, 1 #10 GND FOR PRIME SIGN.
- 2X4 FIXTURES IN THIS AREA SHALL BE MOUNTED TO THE BOTTOM OF THE STRUCTURE WITH STEM HARDWARE.
- PROVIDE A 2-GANG J-BOX WITH 3/4" C. STUBBED ABOVE CEILING FOR CPI W/USH MOUNTED PARKING LOT LIGHT OVERRIDE SWITCH IN OFFICE NEAR THERMOSTAT LOCATION. MOUNT AT 48" AFF. TO TOP OF BOX.
- ALL LED STRIP LIGHTING (J) IS ON CIRCUIT C-21. SEE 1/E5 FOR CONNECTION INFORMATION.
- DOWN LIGHTS WITH DESIGNATION "G1EM" AND "F1EM" SHALL BE ORDERED WITH EMERGENCY BATTERY BACK-UP CAPABLE OF POWERING THE LAMP FOR 90 MINUTES.
- E.C. SHALL PROVIDE DUPLEX RECEPTACLES AND DATA JACKS FOR DIGITAL MENU BOARDS. COORDINATE MOUNTING LOCATIONS AND HEIGHTS WITH ARCHITECTURAL SHEETS. DATA CABLING IS RUN INTO OFFICE FOR MENU BOARD SYSTEM CONTROLLER. COORDINATE FINAL REQUIREMENTS WITH DIGITAL SYSTEM PROVIDER PRIOR TO ROUGH-IN.
- PROVIDE TYPE G FIXTURES WITH TRIM TO MATCH SOFFIT/ELEMENT COLOR
- CANOPY FIXTURES TO COME PRE-INSTALLED IN CANOPY. PROVIDE JBOX FOR CONNECTION, COORDINATE LOCATION WITH CANOPY MANUFACTURER. CONNECT CANOPY TO C-13.
- CEILING-MOUNTED OCCUPANCY SENSOR SHALL AUTO-ON ALL FIXTURES IN THIS SPACE TO 50%. 3-WAY MANUAL CONTROLS SHALL ALLOW FOR LIGHT LEVELS TO BE INCREASED FROM 50%.
- LED TAPE LIGHT. REFER TO A8.0 AND A14.1 TOWER DETAILS FOR MOUNTING LOCATIONS. FIXTURES TO TURN OFF WHEN HOT NOW SIGN TURNS ON.

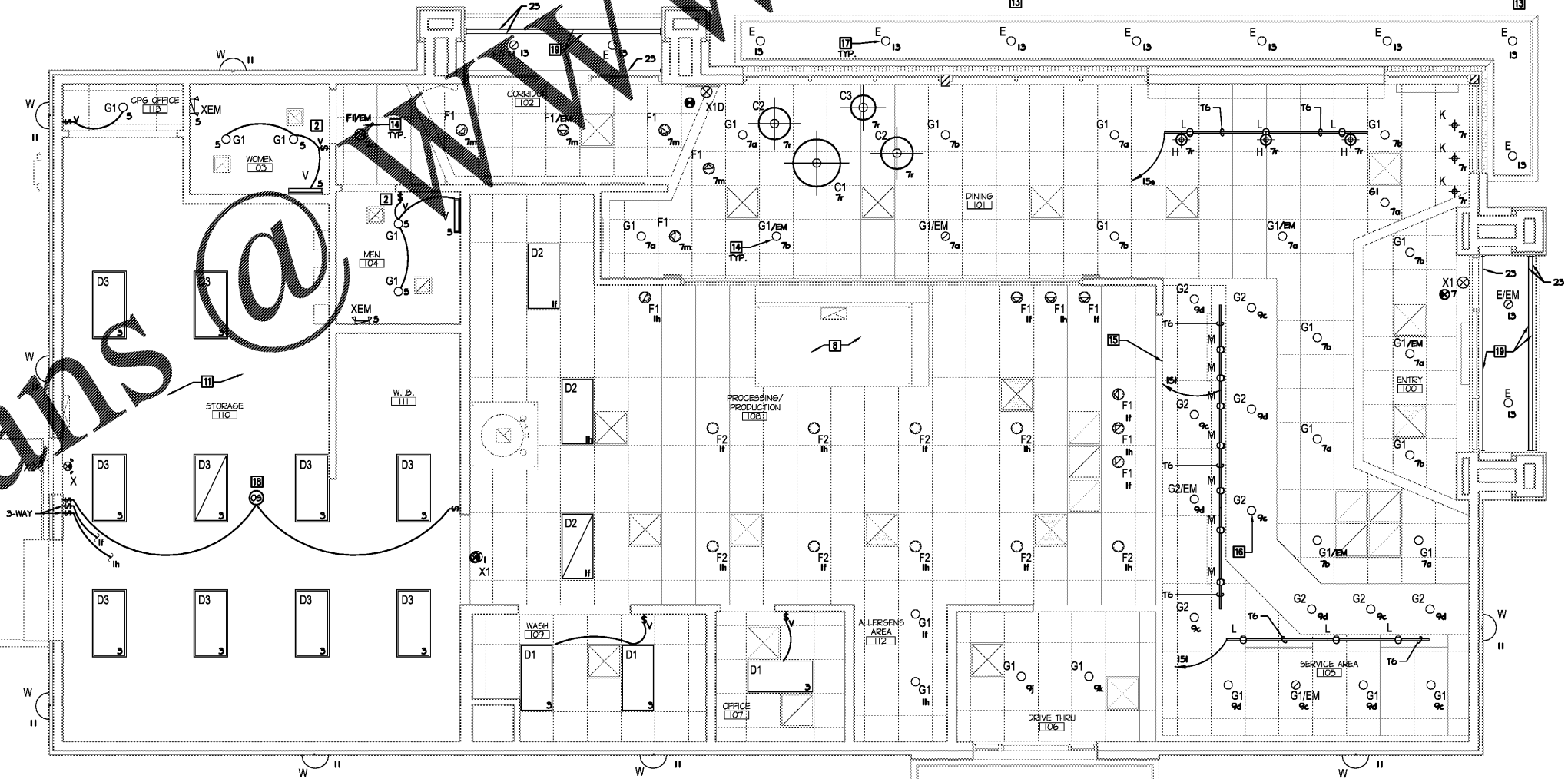
GEORGE SAREFATTY, AIA
 308 Oak Grove Drive
 Wausau, WI 54984
 T (847) 719-1708 F (847) 719-1738
 Copyright © 2014

KENNETH L. KRAUS
 P.E. # 74120
 308 Oak Grove Drive
 Wausau, WI 54984
 T (847) 719-1708 F (847) 719-1738
 Plumbing Mechanical Electrical

KRISPY KREME DOUGHNUTS
 1730 E. NINE MILE ROAD
 PENSACOLA, FL 32514



DATE: 06/23/18
 PROJECT NO.: 18-004
 CHECKED BY: KIK
 DRAWN BY: STAFF
 SHEET TITLE: ELECTRICAL LIGHTING PLAN
 SHEET NO.:



1 ELECTRICAL LIGHTING PLAN
 SCALE: 1/4" = 1'-0"

NOTE: ALL CIRCUIT DESIGNATIONS REFER TO PANEL "C", UNLESS OTHERWISE NOTED.

4 LIGHTING CONTROL DIAGRAMS
 SCALE: NONE

3 SIGN CONTACTOR DETAIL
 SCALE: N.T.S.

2 SWITCH BANK ELEVATION
 SCALE: N.T.S.

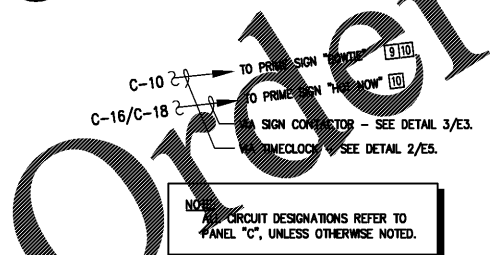
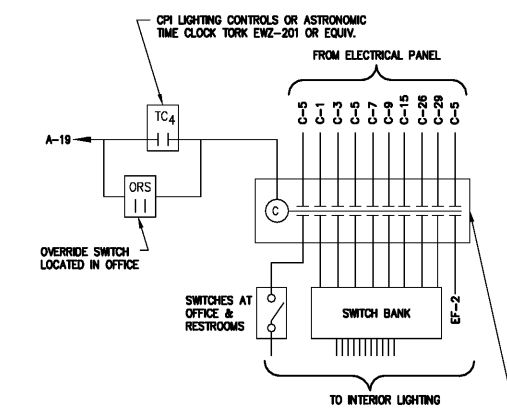
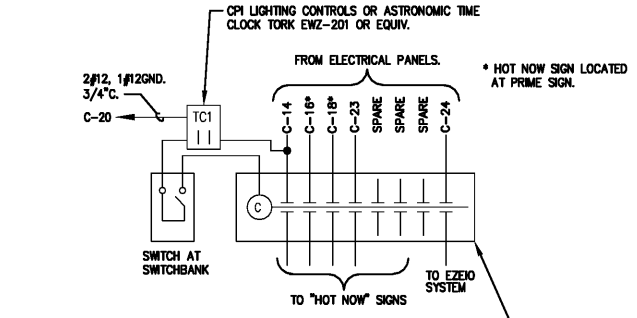
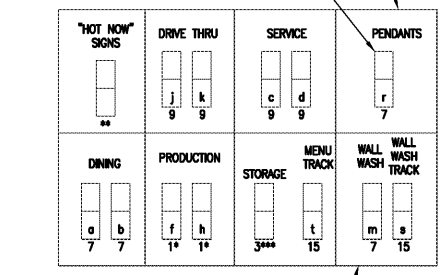
E.C. SHALL PROVIDE APPROPRIATE NUMBER OF BOXES TO INSTALL SWITCHING. ADJUST AS REQUIRED TO FIT ACTUAL WALL SPACE WHILE STILL MAINTAINING ALL ADA REQUIREMENTS.
 E.C. SHALL MOUNT SWITCHING AT 48" AFF MAX. TO CENTER OF TOP SWITCH. ALL SWITCHES SHALL BE AT A CODE COMPLIANT HEIGHT.

E.C. SHALL PROVIDE APPROPRIATE NUMBER OF WALL PLATES WITH TITLES ENGRAVED IN 0.125" LETTERS.
 * = 3-WAY SWITCH. SEE PLANS FOR LOCATION OF MATCHING SWITCH.
 ** = SEE CONTACTOR DETAIL 3/E3, THIS PAGE.
 *** = CEILING OCC SENSOR THAT AUTO-OFF ON 50%; 3-WAY SWITCHES THAT MANUAL TAKE LEVELS UP TO FULL.

CONTACTORS PROVIDED W/ CPI SWITCHGEAR. IF NOT PROVIDED E.C. SHALL PROVIDE (1) 10-POLE LIGHTING CONTACTOR (SQ D LG-1000, OR EQUAL) TO ACCOMMODATE NUMBER OF POLES REQUIRED. DETAIL IS DIAGRAMMATIC IN NATURE.

CONTACTORS PROVIDED W/ CPI SWITCHGEAR. IF NOT PROVIDED E.C. SHALL PROVIDE (1) 8-POLE LIGHTING CONTACTOR (SQ D LG-80, OR EQUAL) TO ACCOMMODATE NUMBER OF POLES REQUIRED. DETAIL IS DIAGRAMMATIC IN NATURE.

E.C. SHALL PROVIDE APPROPRIATE NUMBER OF WALL PLATES WITH TITLES ENGRAVED IN 0.125" LETTERS.
 * = 3-WAY SWITCH. SEE PLANS FOR LOCATION OF MATCHING SWITCH.
 ** = SEE CONTACTOR DETAIL 3/E3, THIS PAGE.
 *** = CEILING OCC SENSOR THAT AUTO-OFF ON 50%; 3-WAY SWITCHES THAT MANUAL TAKE LEVELS UP TO FULL.



NOTE: EXTERIOR LIGHTING SHALL BE CONTAINED IN CUT-OFF TYPE LUMINAIRES AND SHALL BE DIRECTED IN TOWARD THE PROPERTY SO AS NOT TO CREATE LIGHT TRESPASS ON TO ADJACENT PROPERTIES.