

EXHAUST FAN INFORMATION - Job#2403901

FAN UNIT NO.	TAG	FAN UNIT MODEL #	CFM	ESP.	RPM	H.P.	B.H.P.	#	VOLTS	FLA	WEIGHT (LBS.)	SONES
1	HEF1	NCA14FA	1800	0.750	1077	0.750	0.4250	1	115	11.0	132	10.8
2	HEF2	DU30HFA	500	0.500	1166	0.250	0.0920	1	115	3.8	53	6.7

FAN OPTIONS

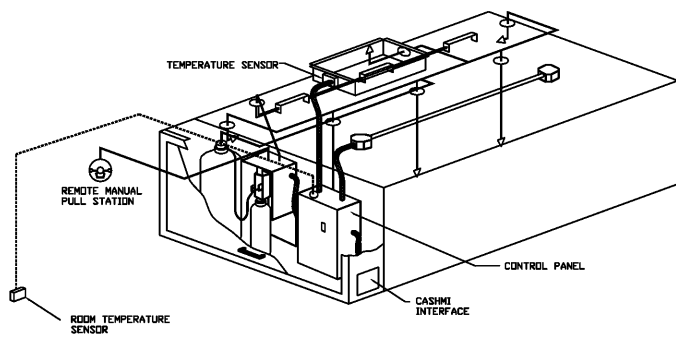
FAN UNIT NO.	TAG	OPTION (Qty. - Descr.)
1	HEF1	1 - Grease Box

FAN ACCESSORIES

FAN UNIT NO.	TAG	EXHAUST				SUPPLY		
		GREASE CUP	GRAVITY DAMPER	WALL MOUNT	SIDE DISCHARGE	GRAVITY DAMPER	MOTORIZED DAMPER	WALL MOUNT
1	HEF1	YES						
2	HEF2							

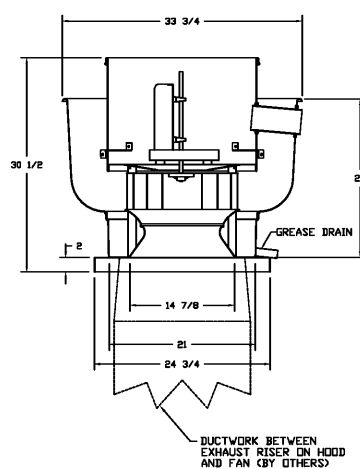
CURB ASSEMBLIES

NO.	ON FAN	WEIGHT	ITEM	SIZE
1	# 1	44 LBS	Curb	23.000"W x 23.000"L x 26.000"H Vented Hinged
2	# 2	20 LBS	Curb	19.500"W x 19.500"L x 18.000"H



TYPICAL CONTROL CENTER INSTALLATION

FAN #1 NCA14FA - EXHAUST FAN (HEF1)



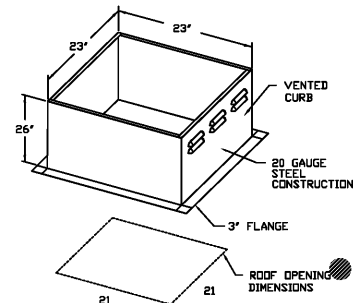
FEATURES:

- ROOF MOUNTED FANS
- RESTAURANT MODEL
- UL705 AND UL762
- ANCA SOUND AND AIR CERTIFIED
- WIRING FROM MOTOR TO DISCONNECT SWITCH
- WEATHERPROOF DISCONNECT
- HIGH HEAT OPERATION 300°F (149°C)
- GREASE CLASSIFICATION TESTING

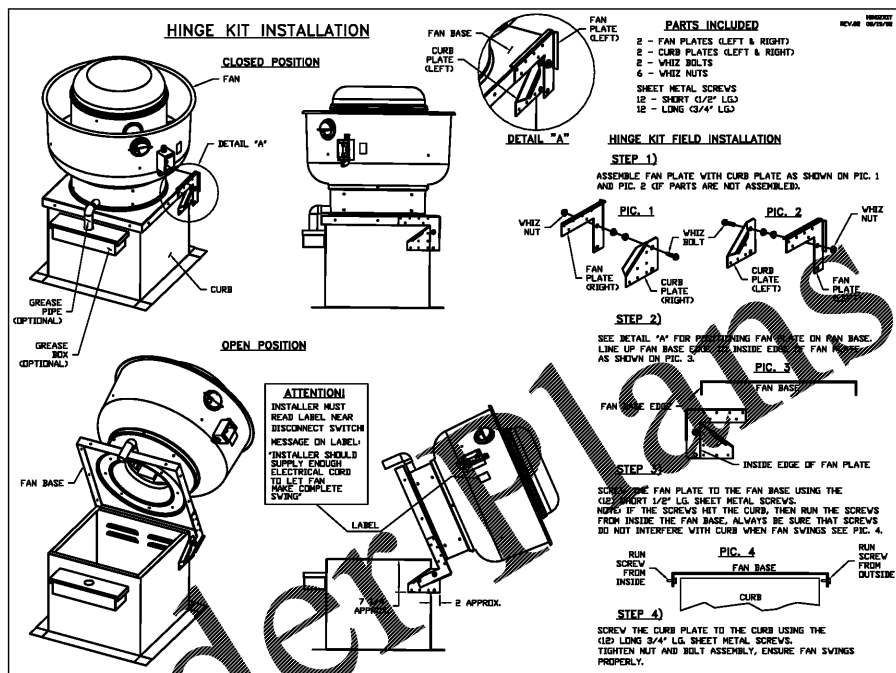
NORMAL TEMPERATURE TEST
EXHAUST FAN MUST OPERATE CONTINUOUSLY WHILE EXHAUSTING AIR AT 300°F (149°C) UNTIL ALL FAN PARTS HAVE REACHED THERMAL EQUILIBRIUM, AND WITHOUT ANY DETERIORATING EFFECTS TO THE FAN WHICH WOULD CAUSE UNSAFE OPERATION.

ABNORMAL FLARE-UP TEST
EXHAUST FAN MUST OPERATE CONTINUOUSLY WHILE EXHAUSTING BURNING GREASE VAPORS AT 600°F (316°C) FOR A PERIOD OF 15 MINUTES WITHOUT THE FAN BECOMING DAMAGED TO ANY EXTENT THAT COULD CAUSE AN UNSAFE CONDITION.

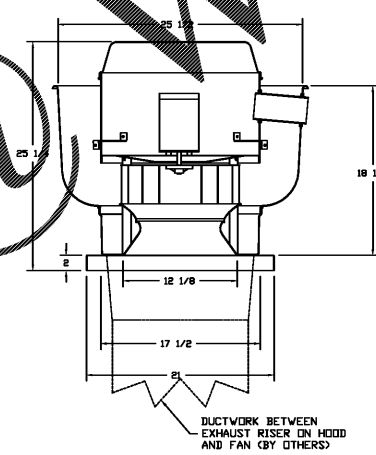
- OPTIONS**
- GREASE BOX



***** NOTE *****
ALL WALLS THAT COME WITHIN 18" OF HOOD MUST BE METAL STUDS AND SHEETROCK. WOOD STUDS NOT ALLOWED.



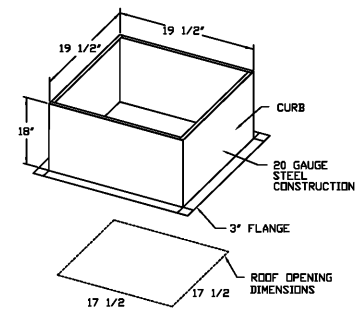
FAN #2 DU30HFA - EXHAUST FAN (HEF2)



FEATURES:

- ROOF MOUNTED FANS
- RESTAURANT MODEL
- UL705
- VARIABLE SPEED CONTROL
- INTERNAL WIRING
- WEATHERPROOF DISCONNECT
- THERMAL OVERLOAD PROTECTION (SINGLE PHASE)
- HIGH HEAT OPERATION 300°F (149°C)

NORMAL TEMPERATURE TEST
EXHAUST FAN MUST OPERATE CONTINUOUSLY WHILE EXHAUSTING AIR AT 300°F (149°C) UNTIL ALL FAN PARTS HAVE REACHED THERMAL EQUILIBRIUM, AND WITHOUT ANY DETERIORATING EFFECTS TO THE FAN WHICH WOULD CAUSE UNSAFE OPERATION.



FOR QUESTIONS, CALL THE
PIEDMONT NORTH CAROLINA OFFICE
LONNIE GRANT (REGIONAL MANAGER)
PHONE: 336-996-8484, FAX: 336-996-0418
EMAIL: reg30@captiveaire.com

CAPTIVE-AIRE HOODS ARE BUILT IN COMPLIANCE WITH

UL 710 & ULC710 STANDARDS
E.T.L. LISTED 3054804-001

CAPTIVE-AIRE

KRISPY KREME (270)

DATE: 1/29/16

PROJECT NO.: 18.004

CHECKED BY: KJK

DRAWN BY: STAFF

SHEET TITLE: HOOD DETAIL

SHEET NO.: 2

KENNETH L. KRAUS
P.E. # 74120

308 Oak Grove Drive
Wausonville, OH 43084
T (614) 719-1708

Plumbing Mechanical Electrical

KRISPY KREME DOUGHNUTS
1730 E. NINE MILE ROAD
PENSACOLA, FL 32514

DATE: 08/23/18

PROJECT NO.: 18.004

CHECKED BY: KJK

DRAWN BY: STAFF

SHEET TITLE: HOOD DETAIL

SHEET NO.: 2