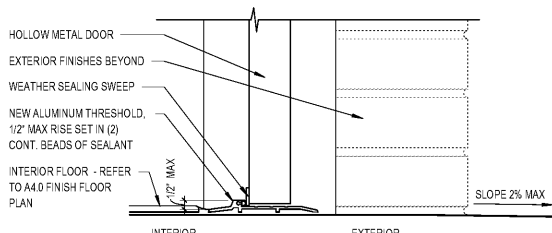
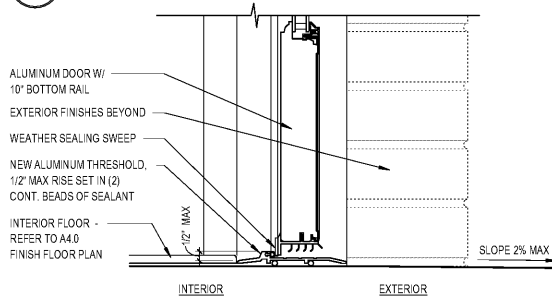


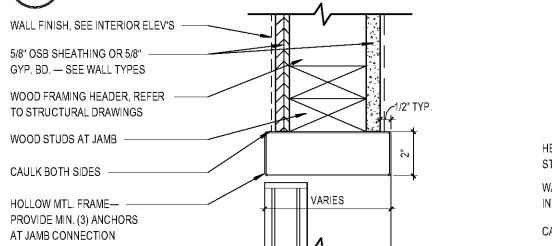
DOOR DETAILS



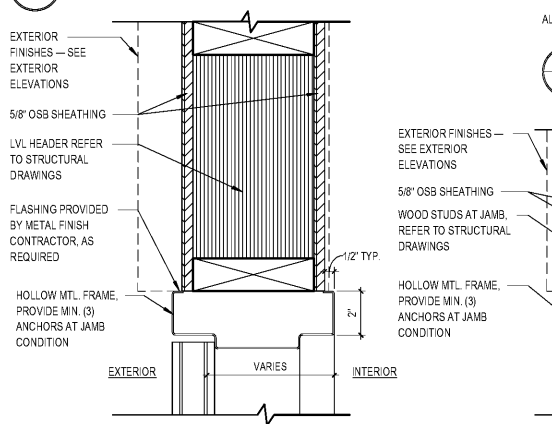
1 HOLLOW METAL DOOR THRESHOLD DETAIL
SCALE: 3" = 1'-0"



2 ALUMINUM DOOR THRESHOLD DETAIL
SCALE: 3" = 1'-0"

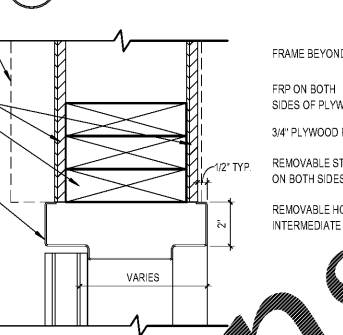


3 INTERIOR HEAD/JAMB DETAIL
SCALE: 3" = 1'-0"

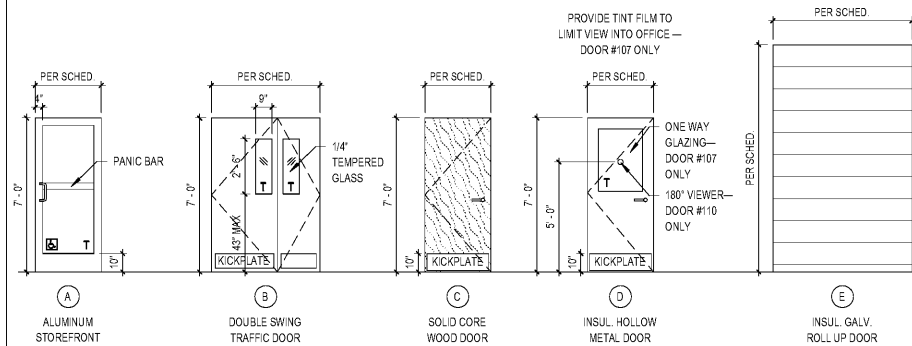


4 EXTERIOR HEAD/JAMB DETAIL
SCALE: 3" = 1'-0"

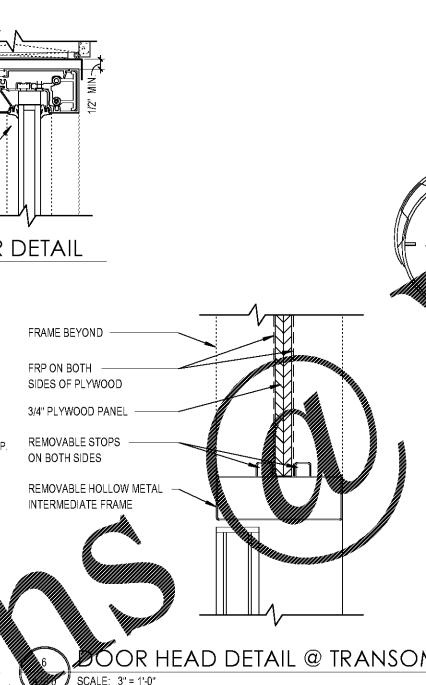
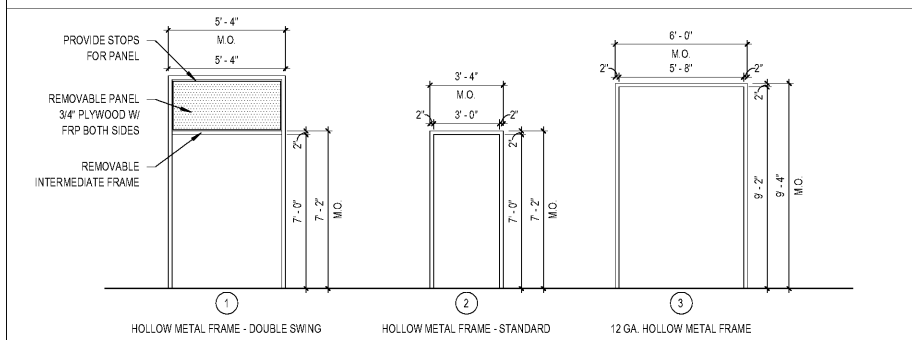
5 HEAD RECEPTOR DETAIL
SCALE: 3" = 1'-0"



DOOR TYPES



DOOR FRAMES



6 DOOR HEAD DETAIL @ TRANSOM
SCALE: 3" = 1'-0"

7 ROLLING DOOR HEAD DETAIL
SCALE: 3" = 1'-0"

DOOR SCHEDULE

NUMBER	LOCATION	DOOR			FRAME			DETAILS			HARDWARE SET	REMARKS	
		SIZE	TYPE	MATERIAL	FINISH	TYPE	MATERIAL	FINISH	HEAD	JAMB			SILL
100	ENTRY	3'-0" x 7'-0"	A	ALUM	SF	C	ALUM	SF	14A14.0	9A14.0	2A18.0	1	SEE WINDOW ELEV'S FOR FRAME TYPE
102	CORRIDOR	3'-0" x 7'-0"	A	ALUM	SF	F	ALUM	SF	14A14.0	9A14.0	2A18.0	1	SEE WINDOW ELEV'S FOR FRAME TYPE
103	WOMEN	3'-0" x 7'-0" x 1'-3/4"	C	SCW	ST-1	2	HM	PT-3	3A18.0	3A18.0	—	2	W/ KICKPLATE ON PUSH SIDE
104	MEN	3'-0" x 7'-0" x 1'-3/4"	C	SCW	ST-1	2	HM	PT-3	3A18.0	3A18.0	—	2	W/ KICKPLATE ON PUSH SIDE
107	OFFICE	3'-0" x 7'-0" x 1'-3/4"	D	HM	PT-7	2	HM	PT-7	3A18.0	3A18.0	—	3	W/ KICKPLATE ON PUSH SIDE & ONE-WAY VIEWING WINDOW
108	PRODUCTION	(1) 3'-0" x 7'-0" (1) 2'-0" x 7'-0"	B	—	BEIGE (PREFINISHED)	1	HM	PT-7	4A18.0	3A18.0	—	—	TRAFFIC - DOUBLE SWING - INSULATE OVERHEAD TRANSOM
110	STORAGE	3'-0" x 7'-0" x 1'-3/4"	D	HM	PT-7 (NSIDE)	2	HM	PT-7 (NSIDE)	3A18.0	4A18.0	1A18.0	4	INSULATED METAL - DOOR SP/ KICKPLATE ON PUSH SIDE - LABEL APPROVED
110A	STORAGE	DOOR 6'-0"W x 10'-4"H M.O. 6'-0" x 9'-4"	E	GALV (PREFINISHED)	GRAY (PREFINISHED)	3	HM	PT-7 (NSIDE)	9A13.0	8A13.0	11A14.0	—	OVERHEAD TRANSOM - INSULATED APPROVED
113	CPG OFFICE	DOOR 6'-5"W x 7'-6"H	E	GALV (PREFINISHED)	GRAY (PREFINISHED)	3	HM	PT-7 (NSIDE)	7A18.0	8A18.0	—	—	OVERHEAD TRANSOM - LABEL APPROVED EQUAL AT DOOR OR APPROVED EQUAL

ABBREVIATIONS: AL = ALUMINUM, GALV = GALVANIZED STEEL, HM = HOLLOW METAL, PL = PLASTIC LAMINATE, SCW = SOLID CORE WOOD, SF = STOREFRONT FINISH

NOTE: PROVIDE FINISH SERVICE FOR DOORS.

GENERAL NOTES

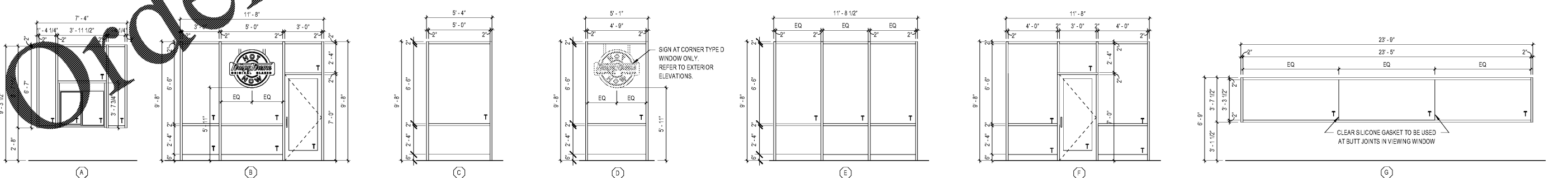
- DOORS SHALL SWING INTO THE FULLY OPEN POSITION WHEN AN OPENING FORCE IS APPLIED TO THE LATCH SIDE WHICH DOES NOT EXCEED: 8.5 POUNDS ON EXTERIOR DOORS, 5 POUNDS ON INTERIOR DOORS, & 15 POUNDS ON FIRE DOORS IS APPLIED TO THE LATCH SIDE.
- ALL EXTERIOR DOORS TO BE KEYPAD ON THE OUTSIDE WITH A HEX KEY MECHANISM TO LOCK & UNLOCK THE PUSH BAR FROM THE INSIDE.
- ALL DOORS TO BE PROVIDED WITH THE BOTTOM 10" WITH A SMOOTH, UNINTERRUPTED SURFACE THAT IS TO BE OPENED BY A WHEELCHAIR FOOTREST WITHOUT CAUSING A TRAP OR HAZARDOUS CONDITION.
- CONTRACTOR RESPONSIBLE FOR APPLYING, RECEIVING, UNCRATING, INSTALLATION, & CLEANING.
- ALL DIMENSIONS ARE FOR BIDDING PURPOSES ONLY. CONTRACTOR SHALL VERIFY ALL DIMENSIONS PRIOR TO FABRICATION.
- FIELD VERIFY ALL ROUGH-IN DIMENSIONS FOR WINDOWS & DOORS PRIOR TO ORDERING.

HARDWARE SCHEDULE

SET	LOCATION	LOCKSET	HINGES	CLOSER	KICKPLATE	SILENCERS	WALL STOP	WEATHERSTRIP	THRESHOLD	DOOR SWEEP	180° VIEWER	FINISH	QTY
SET 1:	STOREFRONT	LOCKSET: UNIDENTIFIED W/ READILY DISTINGUISHABLE VIEW OF LOCKED	1601-BF	NORTON	VON DUPRIN	NATIONAL GUARD	DOOR MFR	NATIONAL GUARD	97V-36"	—	—	AL	—
SET 2:	OFFICE	LOCKSET: SCHLAGE	STANLEY	NORTON	VON DUPRIN	NATIONAL GUARD	DOOR MFR	NATIONAL GUARD	97V-36"	—	—	AL	—
SET 3:	OFFICE	LOCKSET: SCHLAGE	STANLEY	NORTON	VON DUPRIN	NATIONAL GUARD	DOOR MFR	NATIONAL GUARD	97V-36"	—	—	AL	—
SET 4:	REAR EXIT	LOCKSET: UNIDENTIFIED W/ READILY DISTINGUISHABLE VIEW OF LOCKED	1601-BF	NORTON	VON DUPRIN	NATIONAL GUARD	DOOR MFR	NATIONAL GUARD	97V-36"	—	—	AL	—

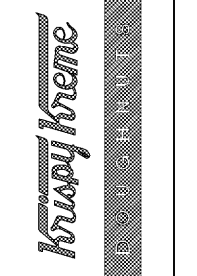
WINDOW TYPES

- NOTES:
- VIEWS ARE FROM THE EXTERIOR.
 - STOREFRONT WINDOW SYSTEM: YKK AP, Y85N, MIDNIGHT BRONZE ANODIZED PLUS. PROVIDE THERMAL BREAK AND INSULATING DOUBLE-GLAZED LOW-E GLASS.
 - ALL FENESTRATION SHALL MEET LOCAL ENERGY CODES.
 - ALL BREAK METAL ASSOCIATED WITH STOREFRONTS SHALL BE PROVIDED BY THE STOREFRONT GLAZING CONTRACTOR.
 - ALL STOREFRONT SHALL BE PROVIDED W/ HEAD RECEPTOR AT TOP TO PROVIDE 1/2" OF ALLOWABLE MOVEMENT (INCLUDING VIEWING WINDOW).
 - AS INDICATED ON PLANS, OWNER SHALL PROVIDE AND INSTALL GLASS FOR FULL HEIGHT OF GLAZING - 4000 ALABASTER - 5% - NATIONAL VENDOR LISTED ON DRAWING T1.1.



GEORGE SARFATTY, AIA
AIA License No. 115, Florida
607 GOLF LINKS, Aventura, FL 33159
Copyright © 2018

KRISPY KREME DOUGHNUTS
1730 EAST 9 MILE ROAD
PENSACOLA, FL 32514



DATE: 08/23/18
PROJECT NO.: 18-004
CHECKED BY: JML
DRAWN BY: DRN/HH
SHEET TITLE: DOOR & WINDOW SCHEDULES
SHEET NO.: A18.0