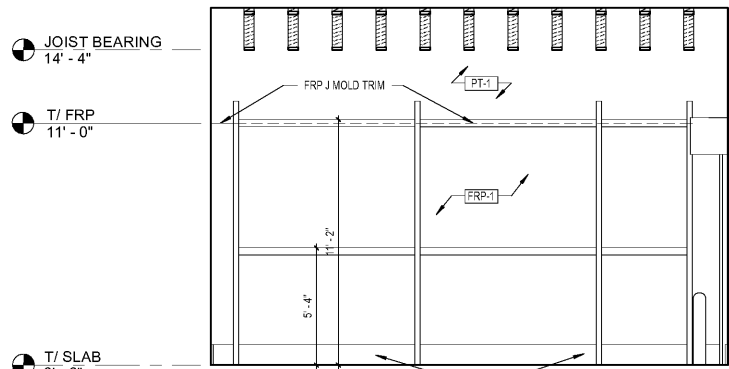
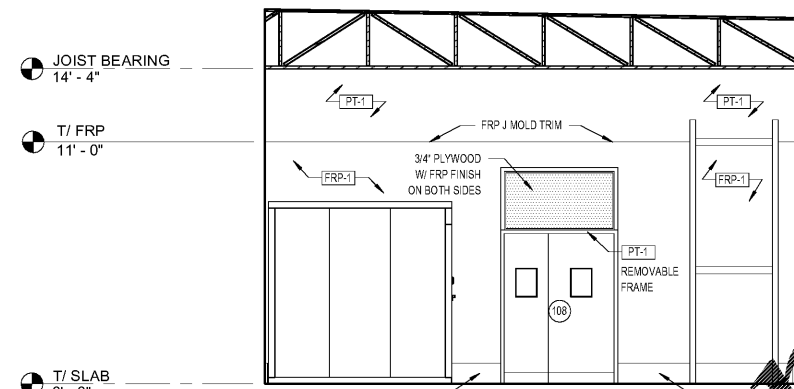


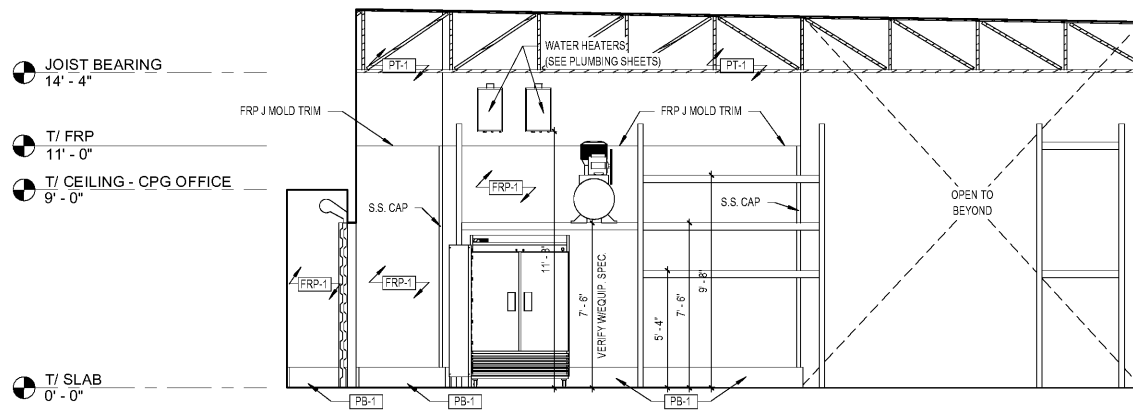
1 ELEVATION
SCALE: 1/4" = 1'-0"



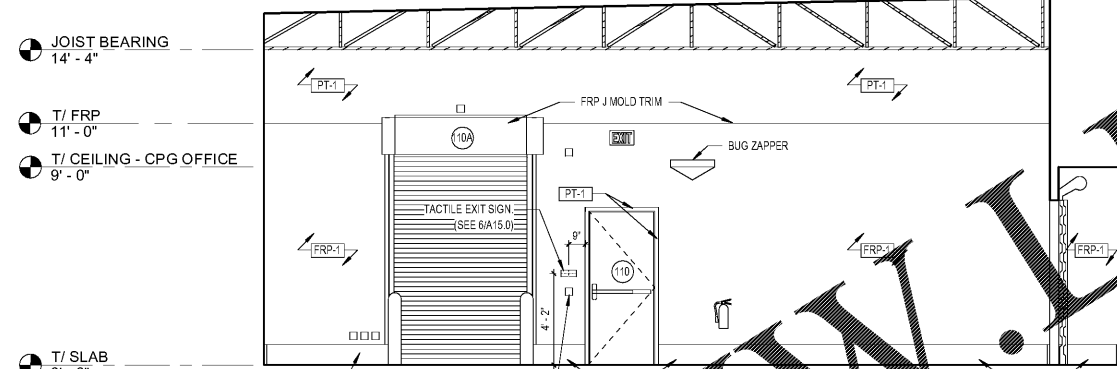
3 ELEVATION
SCALE: 1/4" = 1'-0"



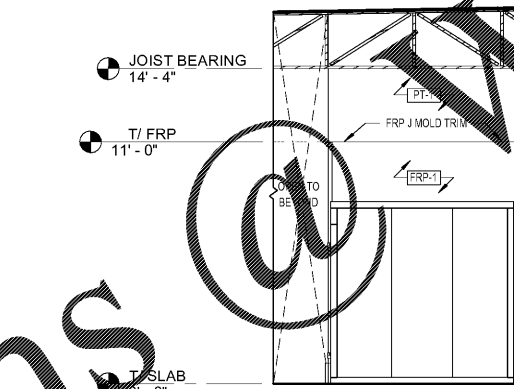
5 ELEVATION
SCALE: 1/4" = 1'-0"



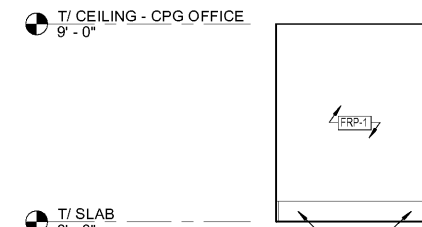
2 ELEVATION
SCALE: 1/4" = 1'-0"



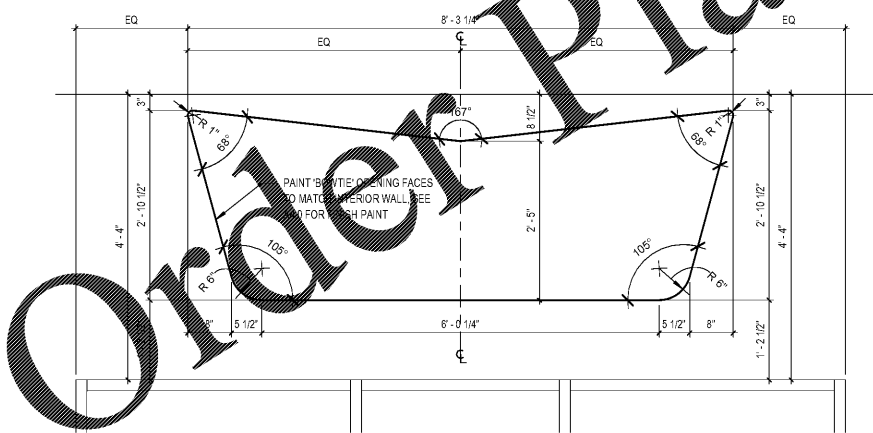
4 ELEVATION
SCALE: 1/4" = 1'-0"



6 ELEVATION
SCALE: 1/4" = 1'-0"



7 ELEVATION
SCALE: 1/4" = 1'-0"



8 'BOWTIE' OPENING DETAIL
SCALE: 3/4" = 1'-0"

GENERAL NOTES

- SEE EQUIPMENT SHEETS FOR ALL EQUIPMENT ELEVATIONS.
- SEE PLUMBING SHEETS FOR ALL PLUMBING ELEVATIONS.
- SEE ELECTRICAL SHEETS FOR ALL ELECTRICAL ELEVATIONS.
- ALL WALL & FLOOR FINISHES TO TURN AT WALL OPENINGS AND TERMINATE AT STOREFRONT, TYP.
- ALL BAG ART IS OWNER PROVIDED AND VENDOR INSTALLED. OWNER PROVIDED AND VENDOR INSTALLED CABINETS, GC SHALL INSTALL RUBBER COVE BASE.
- PROVIDE CONTINUOUS SEALANT AT BASE. USE M...
- RESISTANT SEALANT AS REQUIRED, TYP.
- PROVIDE FRP BEHIND CABINETS LOCATED ON WALLS. GC SHALL VERIFY HEIGHT OF FRP WITH CABINETS. TYP.
- SEE SHEET EQ10 FOR FURNITURE. SEE SHEET EQ11 FOR SIGN INFORMATION.
- SEE SHEET A10 FOR FRP & BASE FINISHES.
- PAINT ALL EXPOSED ROOF STRUCTURE. SEE SHEET A11, TYP.

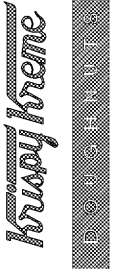
PARTIAL FINISH SCHEDULE

ITEM	DESCRIPTION	REMARKS
BASE		
CB	STAINLESS STEEL COVE BASE	CONTINUOUS
EB-1	EPOXY BASE	COLOR MATCH BM HC-86 KINGSPOINT GRAY
PB-1	PRESSURE TREATED WOOD BASE	TAPERED TOP, PAINT W/ PT-1
RB-1	RUBBER COVE BASE	6" ROLLED BURNT UMBER
PLASTIC LAMINATE		
PL-1	LAMINATE	
PL-2	LAMINATE	
WALLS		
FRP-1	FIBERGLASS REINFORCED PANEL	
GT-1	GROUT	GROUT FOR F-1 AND WT-4
GT-2	GROUT	GROUT FOR WT-2 & WT-3
GT-3	GROUT	GROUT FOR F-2
PT-1	PAINT	SATIN ON CEILINGS AND WALLS, SEMI-GLOSS ON TRIM
PT-2	PAINT	SATIN ON CEILINGS AND WALL
PT-3	PAINT	SATIN ON WALLS
PT-4	PAINT	SATIN ON WALLS
PT-5	PAINT	SATIN ON CEILINGS AND WALL
PT-6	PAINT	SATIN ON WALLS
PT-7	PAINT	SATIN ON WALLS
SS-1	CORIAN	INSTALLED ON CABINETS
SS-2	SOLID SURFACE	FRAME AROUND VIEWING WINDOW WALL AND BANQUETTE. NOTE CUSTOM COLOR IN STOCK AT FORMICA - USE CONTACT ON T1.1
ST-1	STAINWOOD DOORS	NATURAL BIRCH WOOD DOOR
WD-1	WOOD STAINED	SATIN TO MATCH PL-1
WT-2	WALL TILE	INSTALLED HORIZONTALLY, BRICK PATTERN, STAGGERED 50%, GROUT: GT-2
WT-3	WALL TILE	INSTALLED HORIZONTALLY, BRICK PATTERN, STAGGERED 50%, GROUT: GT-2
WT-4	WALL TILE	INSTALLED HORIZONTALLY, STAGGERED PATTERN, STAGGERED 33%, GROUT: GT-1

NOTE:
- PAINT ALL WALLS TO BE SATIN FINISH.
- PAINT ALL TRIM TO BE SEMI-GLOSS FINISH.

GEORGE SARFATTY, AIA
Copyright © 2018

KRISPY KREME DOUGHNUTS
1730 EAST 9 MILE ROAD
PENSACOLA, FL 32514



DATE: 08/23/18
PROJECT NO.: 18-004
CHECKED BY: JML
DRAWN BY: DRN/HH
SHEET TITLE: INTERIOR ELEVATIONS
SHEET NO.:

A16.2