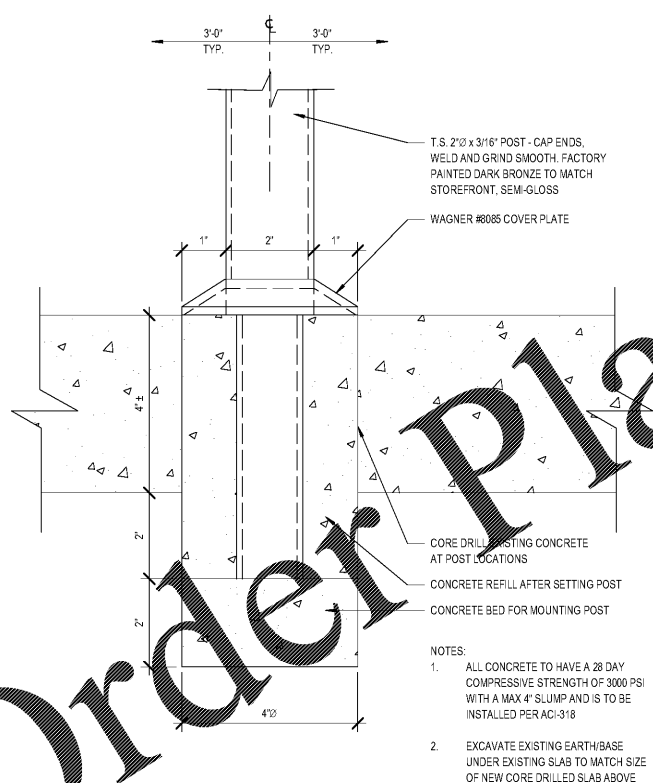
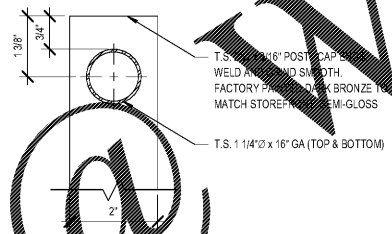


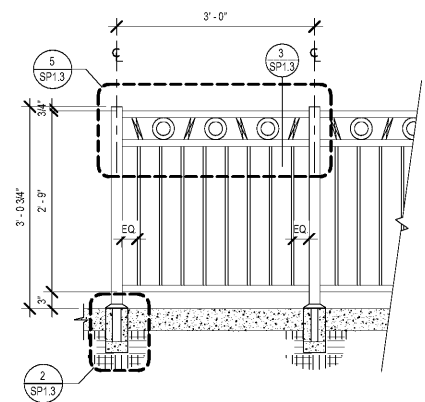
1 PATIO RAILING PLAN
SCALE: 1/2" = 1'-0"



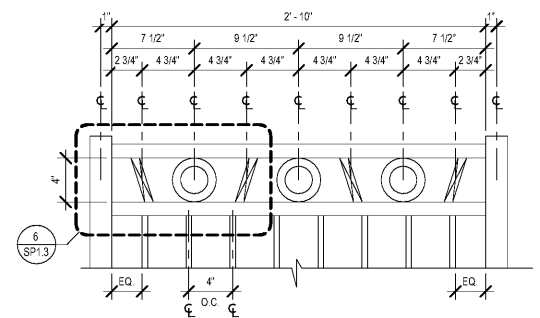
2 POST DETAIL
SCALE: 6" = 1'-0"



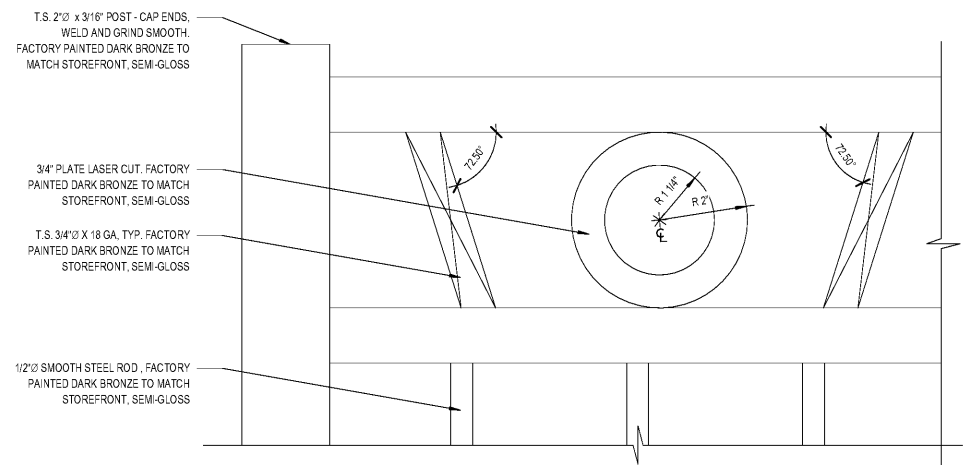
3 HANDRAIL DETAIL/SECTION
SCALE: 6" = 1'-0"



4 FENCE ELEVATION
SCALE: 3/4" = 1'-0"



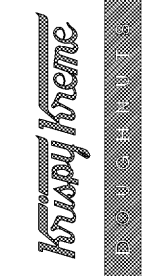
5 FENCE ELEVATION DETAIL
SCALE: 1 1/2" = 1'-0"



6 FENCE ELEVATION DETAIL
SCALE: 6" = 1'-0"

Order Plans @ www.LDILine.com

- NOTES:
- ALL CONCRETE TO HAVE A 28 DAY COMPRESSIVE STRENGTH OF 3000 PSI WITH A MAX 4" SLUMP AND IS TO BE INSTALLED PER ACI-318
 - EXCAVATE EXISTING EARTH/BASE UNDER EXISTING SLAB TO MATCH SIZE OF NEW CORE DRILLED SLAB ABOVE



SEAL:	
DATE:	08/23/18
PROJECT NO.:	18-004
CHECKED BY:	JML
DRAWN BY:	DRN/HH
SHEET TITLE:	SITE DETAILS
SHEET NO.:	