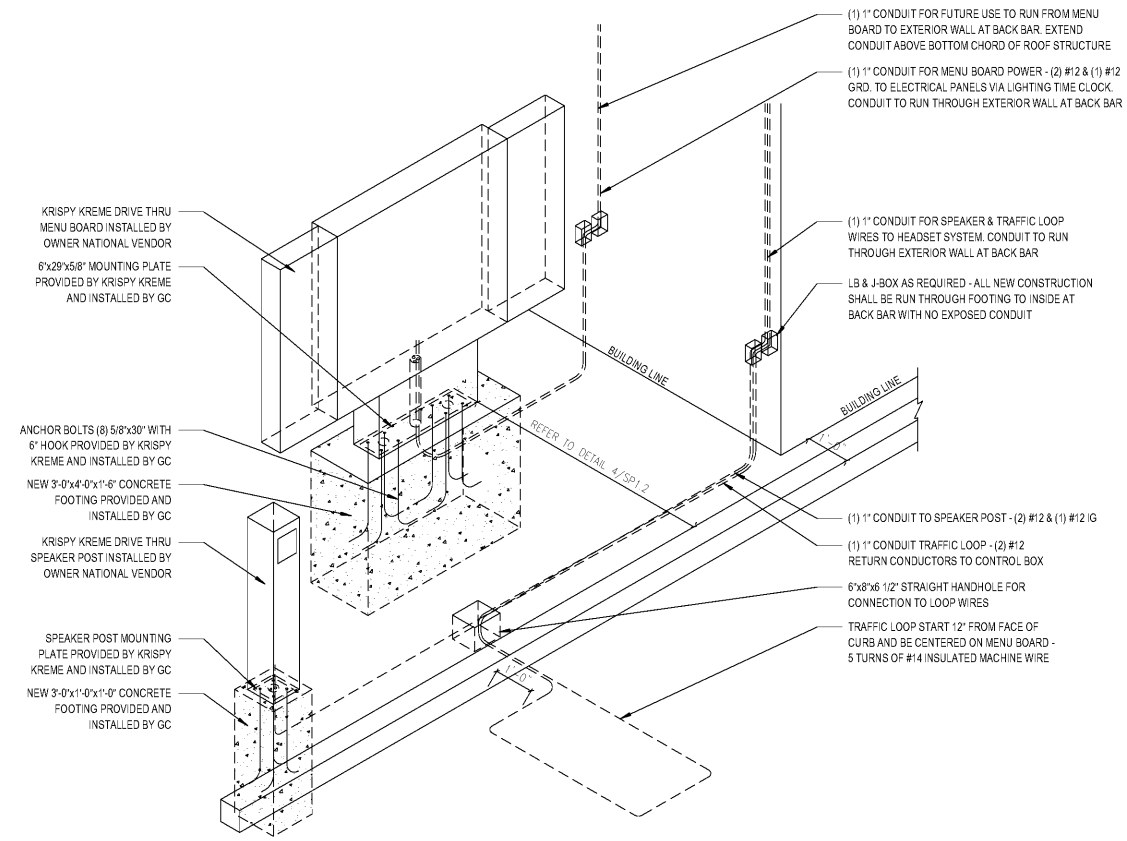
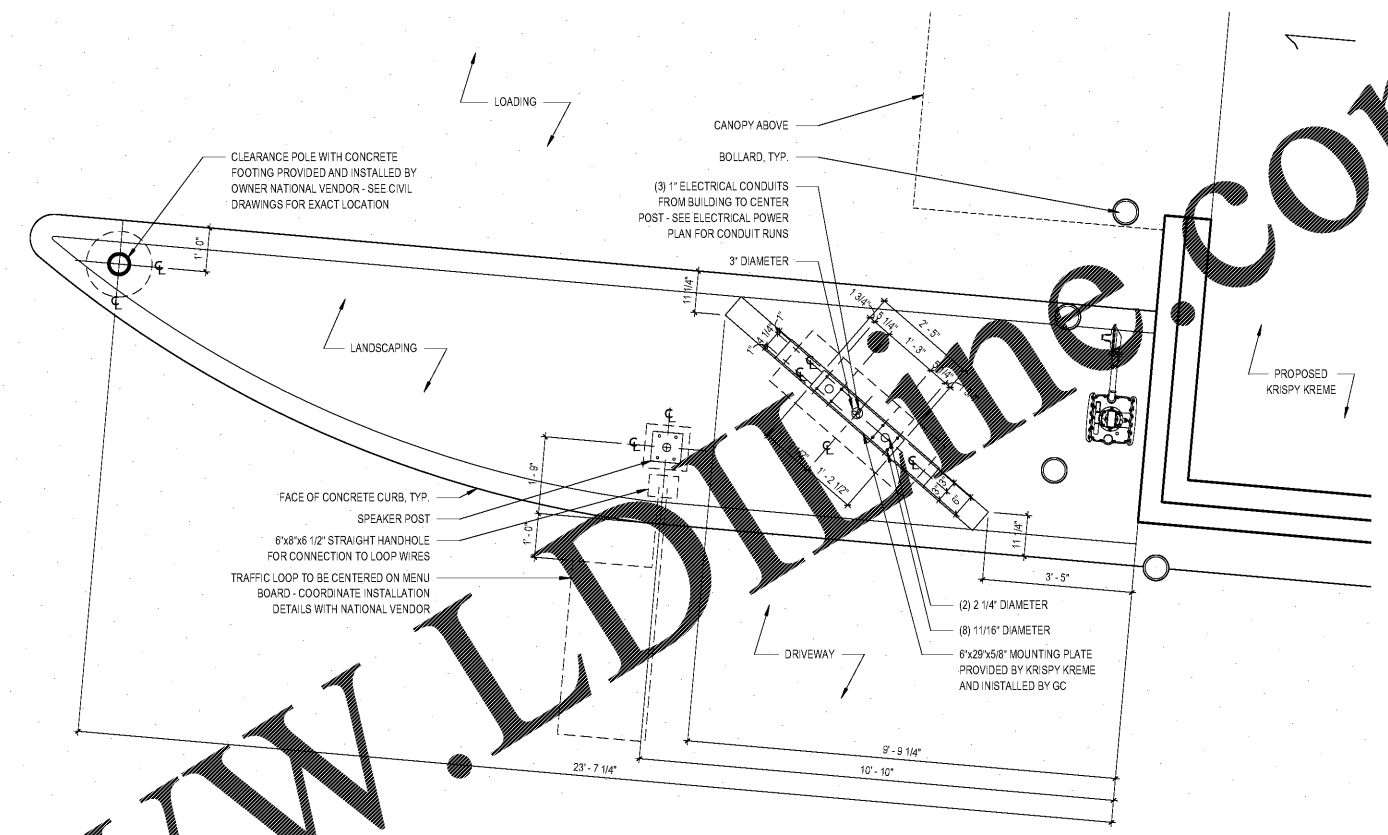


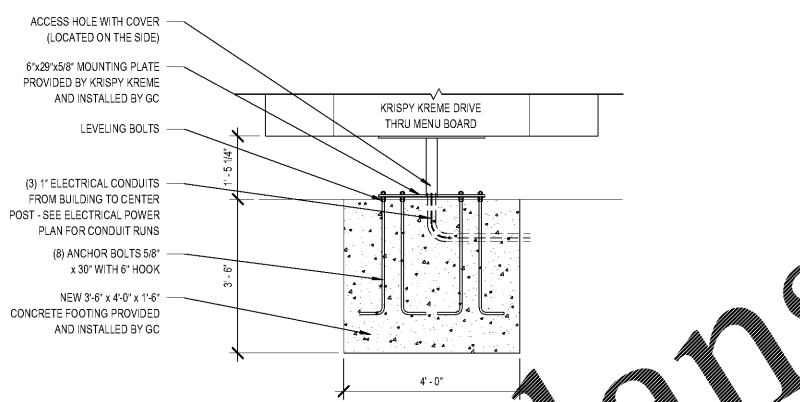
NOTES:  
1. CLEARANCE POLE PROVIDED AND INSTALLED BY OWNER NATIONAL VENDOR - SEE CIVIL DRAWINGS FOR EXACT LOCATION



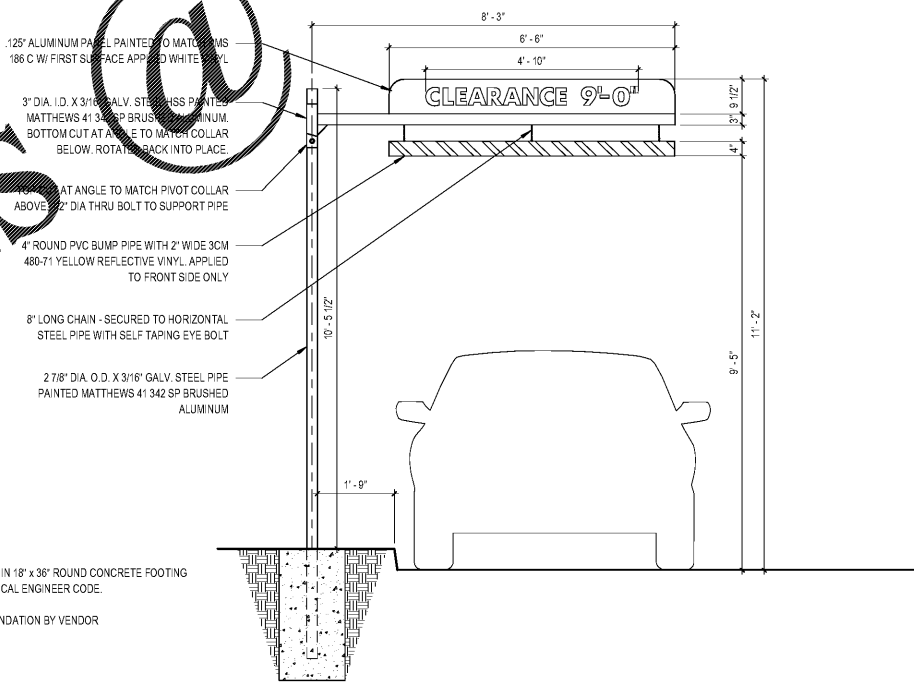
1 DRIVE-THRU MENU BOARD & DETECTION ISOMETRIC  
SCALE: 1/2" = 1'-0"



2 DRIVE-THRU MENU BOARD & DETECTION PLAN  
SCALE: 1/2" = 1'-0"

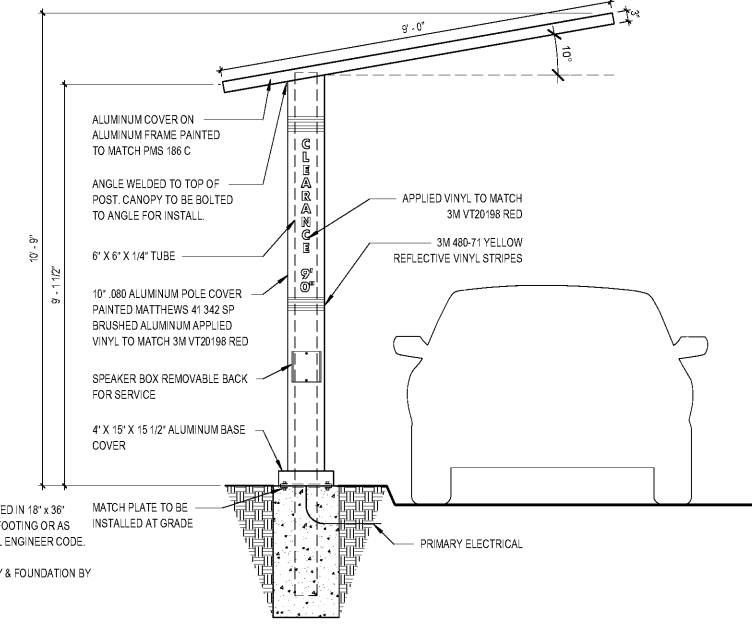


3 DRIVE-THRU MENU BOARD  
SCALE: 1/2" = 1'-0"



NOTES:  
1. BASE PIPE IS MOUNTED IN 18\"/>

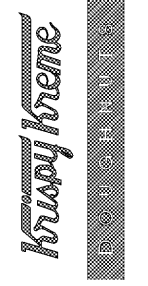
5 CLEARANCE POLE ELEVATION  
SCALE: 1/2" = 1'-0"



NOTES:  
1. BASE PIPE IS MOUNTED IN 18\"/>

6 CLEARANCE CANOPY ELEVATION  
SCALE: 1/2" = 1'-0"

Order Plans @ [WWW.LDLINE.COM](http://WWW.LDLINE.COM)



SEAL:	
DATE:	08/23/18
PROJECT NO.:	18-004
CHECKED BY:	JML
DRAWN BY:	DRN/HH
SHEET TITLE:	SITE DETAILS
SHEET NO.:	