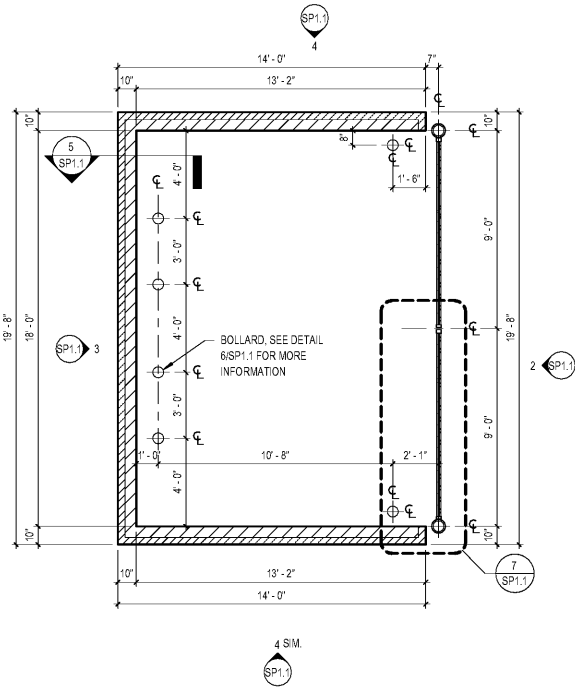


NOTE:
TRASH ENCLOSURE BRICK SHALL MATCH THE
MAIN BUILDING BRICK.

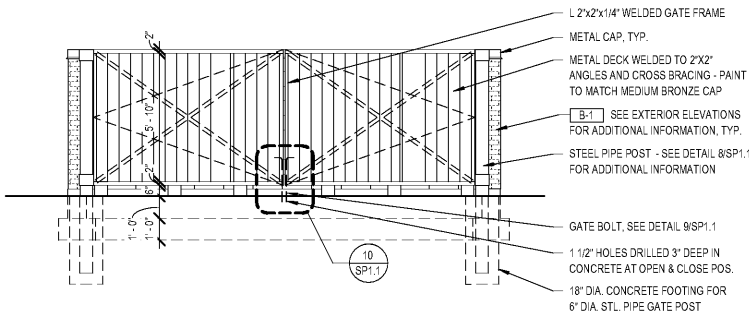


1 TRASH ENCLOSURE PLAN
SCALE: 1/4" = 1'-0"

T/ MASONRY
6' - 0"

T/ FOUNDATION
0' - 0"

B/ FOOTING
-2' - 4"

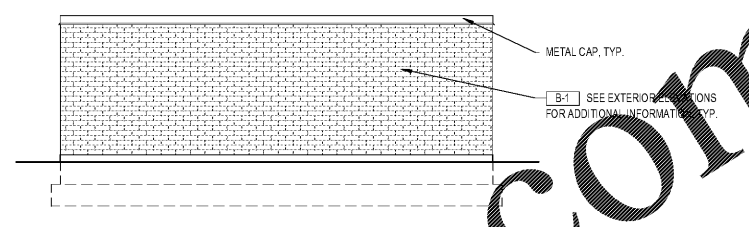


2 SOUTH TRASH ENCLOSURE ELEVATION
SCALE: 1/4" = 1'-0"

T/ MASONRY
6' - 0"

T/ FOUNDATION
0' - 0"

B/ FOOTING
-2' - 4"

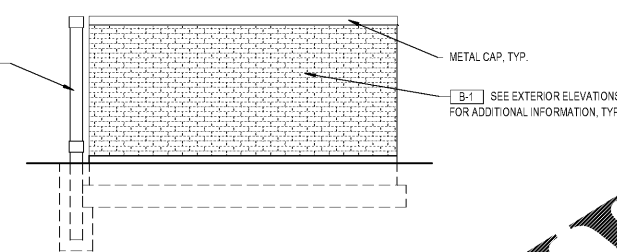


3 NORTH TRASH ENCLOSURE ELEVATION
SCALE: 1/4" = 1'-0"

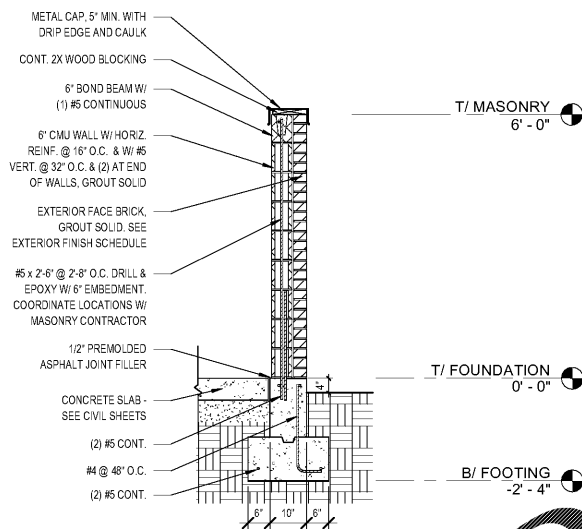
T/ MASONRY
6' - 0"

T/ FOUNDATION
0' - 0"

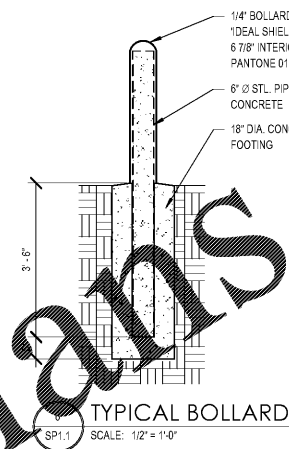
B/ FOOTING
-2' - 4"



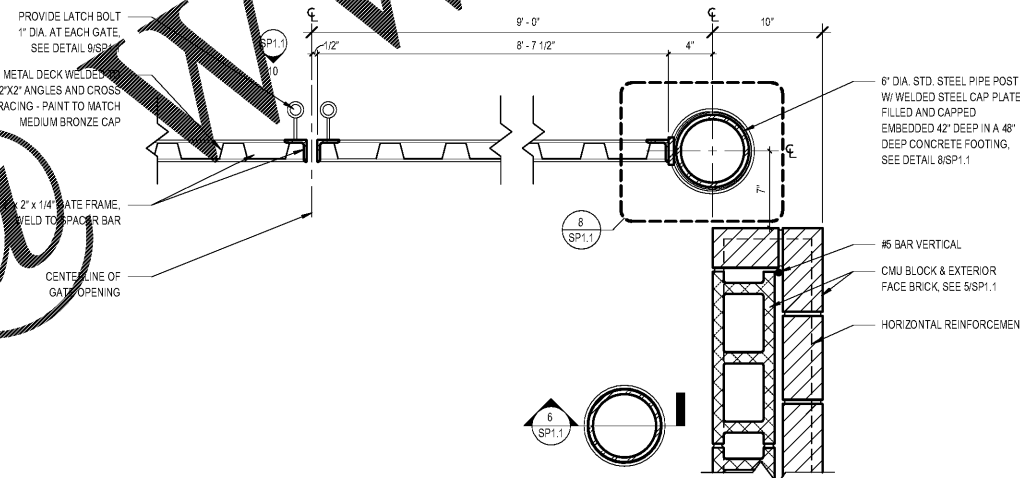
4 WEST/EAST TRASH ENCLOSURE ELEVATION
SCALE: 1/4" = 1'-0"



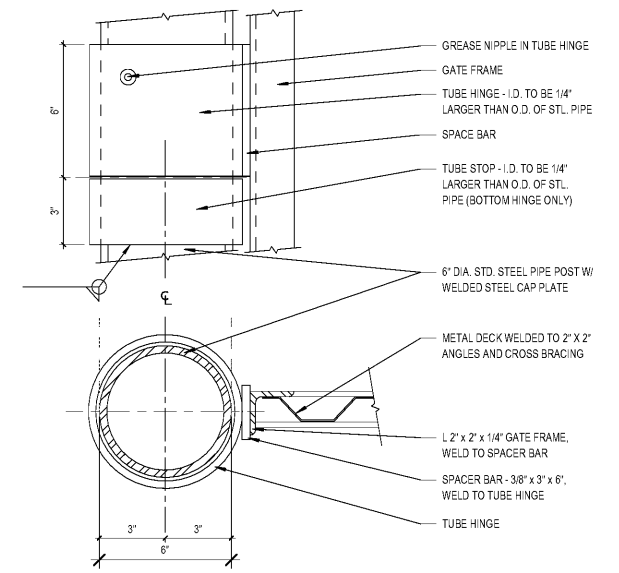
5 TRASH ENCLOSURE WALL SECTION
SCALE: 1/2" = 1'-0"



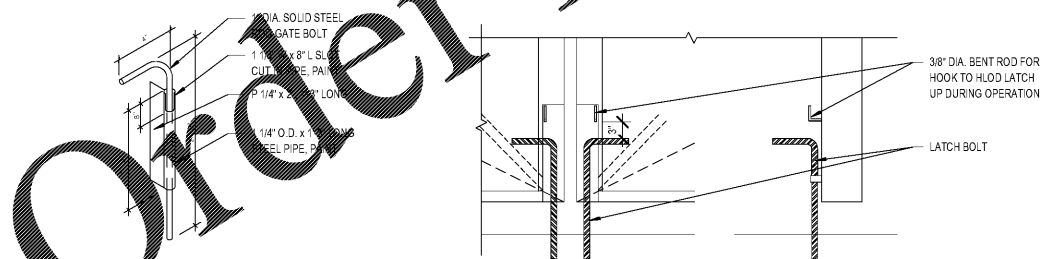
6 TYPICAL BOLLARD
SCALE: 1/2" = 1'-0"



7 GATE POST DETAIL
SCALE: 1 1/2" = 1'-0"



8 GATE POST HINGE
SCALE: 3" = 1'-0"

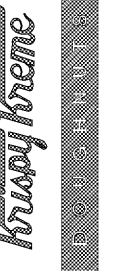


9 GATE CANE BOLT LATCH
SCALE: N.T.S.

10 GATE LATCH HOOK
SCALE: 3/4" = 1'-0"

GEORGE SARFATTY, AIA
ARCHITECT
1000 W. 10TH AVE., SUITE 1115, BOCA RATON, FL 33432
TEL: 561-993-1100
WWW.SARFATTY.COM
Copyright © 2018

KRISPY KREME DOUGHNUTS
1730 EAST 9 MILE ROAD
PENSACOLA, FL 32514



SEAL:
DATE: 08/23/18
PROJECT NO.: 18-004
CHECKED BY: JML
DRAWN BY: DW/JH
SHEET TITLE: SITE DETAILS
SHEET NO.:

SP1.1